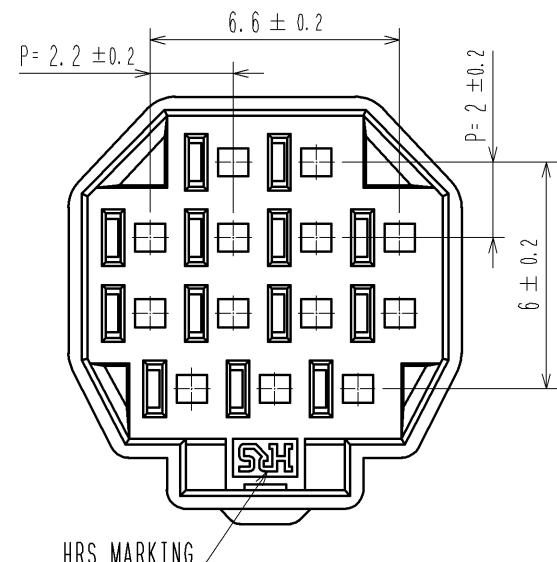
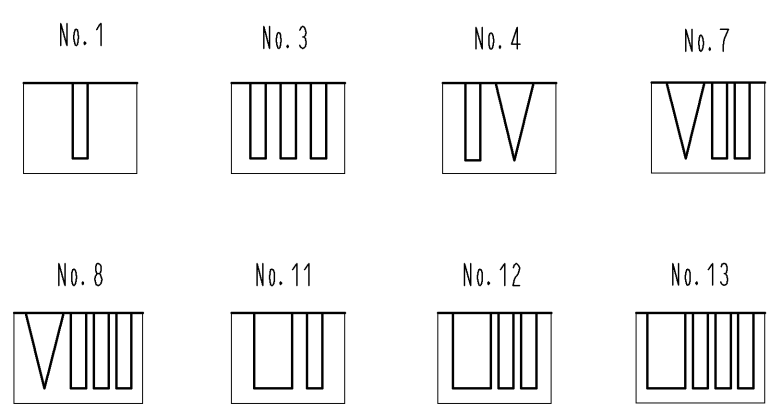


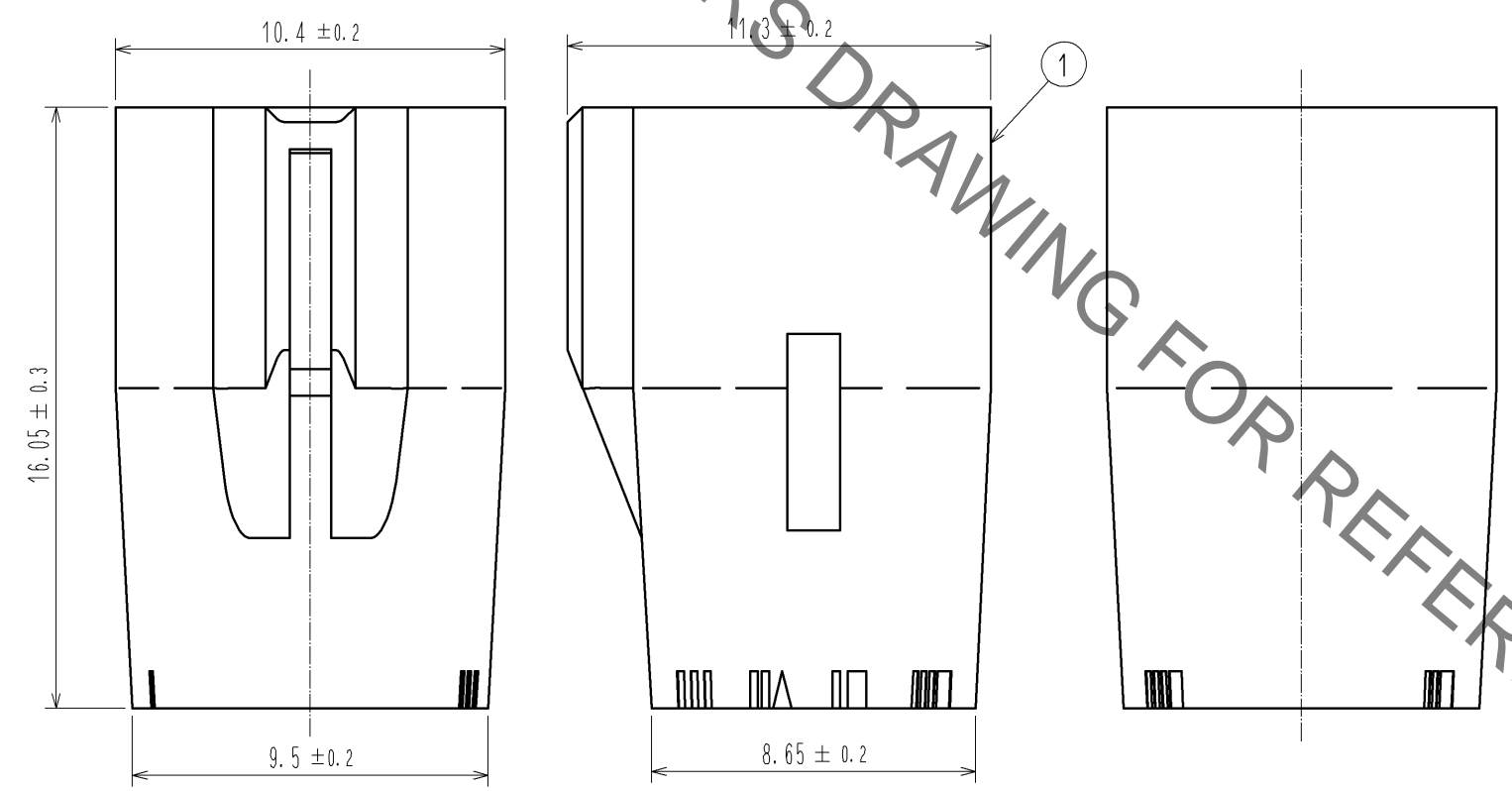
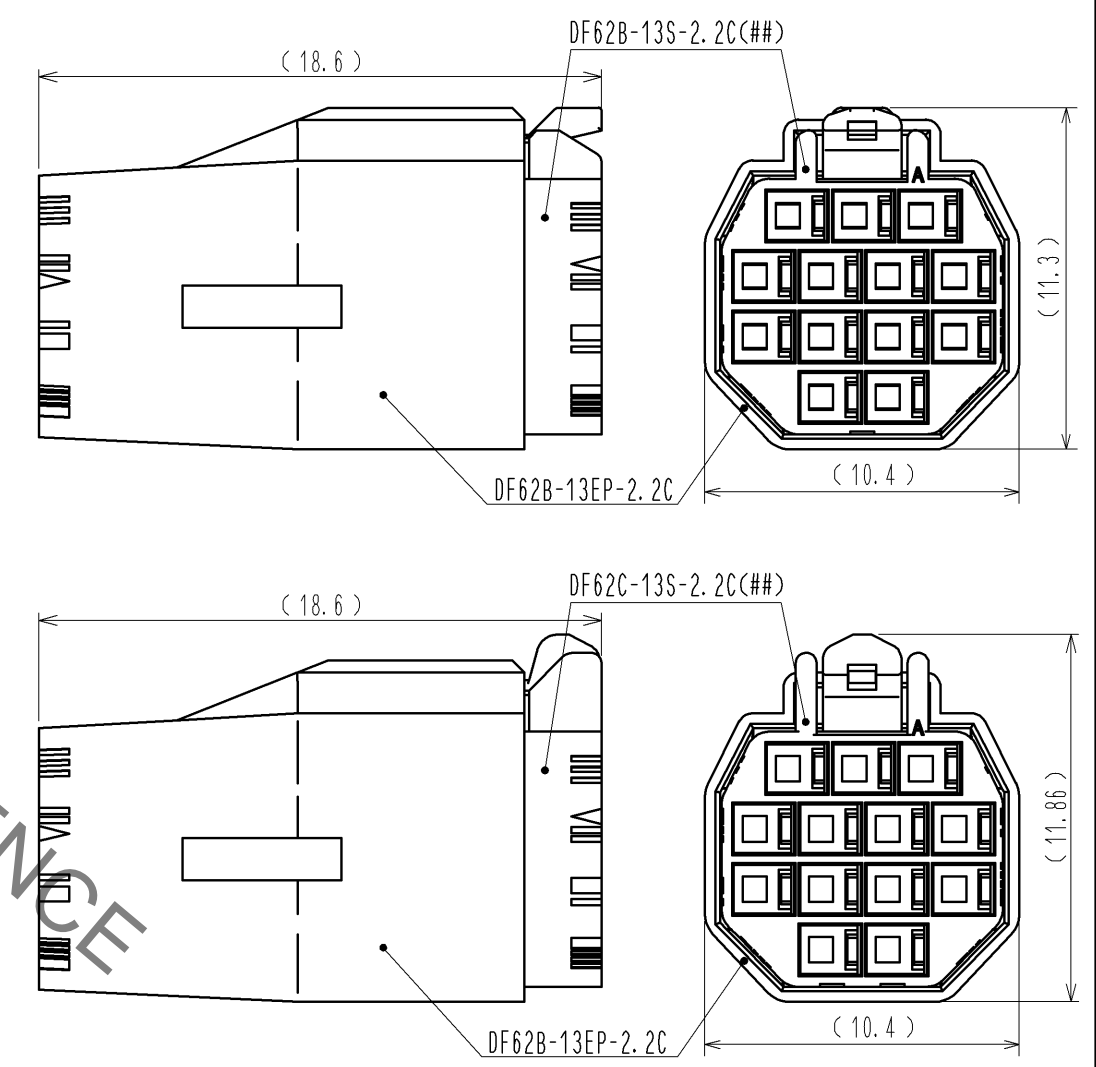
Sep.1.2019 Copyright 2019 HIROSE ELECTRIC CO., LTD. All Rights Reserved.  
In case of consideration for using Automotive equipment / device which demand high reliability, kindly contact our sales window correspondents.



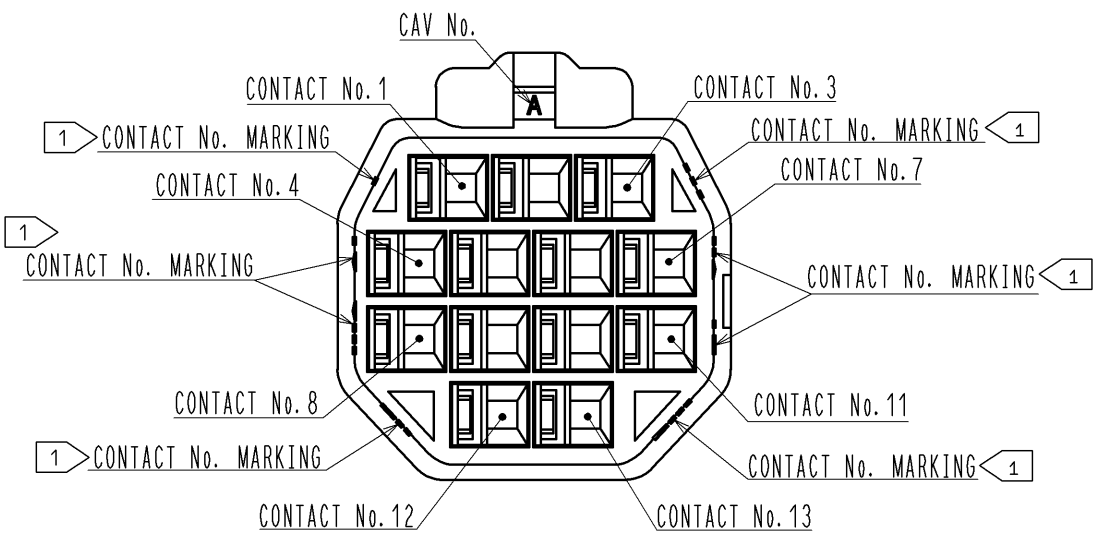
1 FIGURE-1 CONTACT No. MARKING (10:1)



MATING FIGURE (FREE)



HRS DRAWING FOR REFERENCE



NOTE. 1 MARKINGS AT THE INDICATED POSITIONS ARE CONTACT NO. MARKING. AND SHAPES ARE SHOWN IN FIGURE-1.  
2. PER PACK : 100 PIECES.  
3. THE DIMENSIONS IN PARENTHESIS ARE FOR REFERENCE.

NO.	MATERIAL	FINISH . REMARKS	NO.	MATERIAL	FINISH . REMARKS
			1	PBT	UL94V-0 (BLACK)
UNITS	mm	SCALE	5 : 1	COUNT	DESCRIPTION OF REVISIONS
		APPROVED	: KI. AKIYAMA	13.05.28	DRAWING NO.
		CHECKED	: HK. UMEHARA	13.05.28	PART NO.
		DESIGNED	: TS. KUMAZAWA	13.05.28	CODE NO.
		DRAWN	: TS. KUMAZAWA	13.05.28	CL544-0564-1-00
					EDC3-351969-00
					DF62B-13EP-2.2C
					1/1