

1 2 3 4 5 6 7 8

F

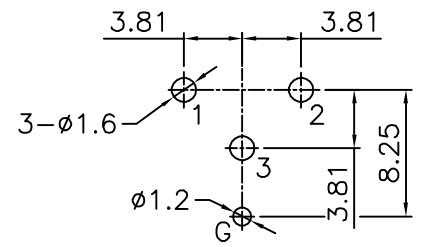
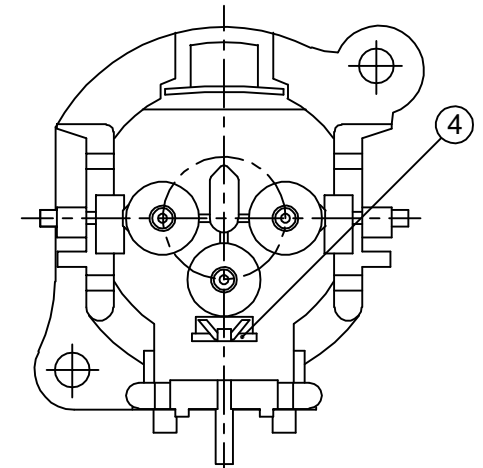
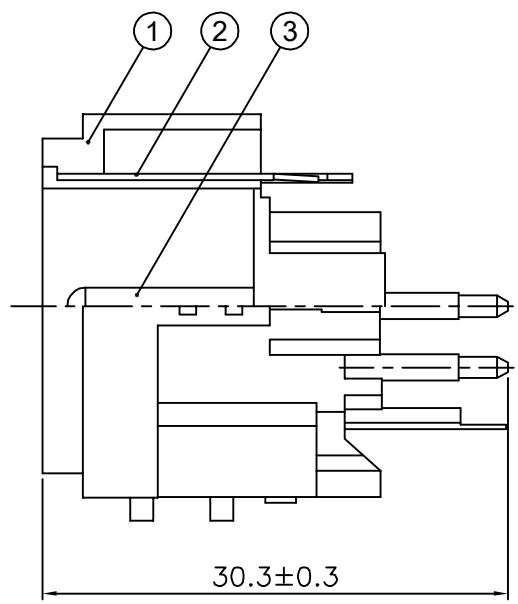
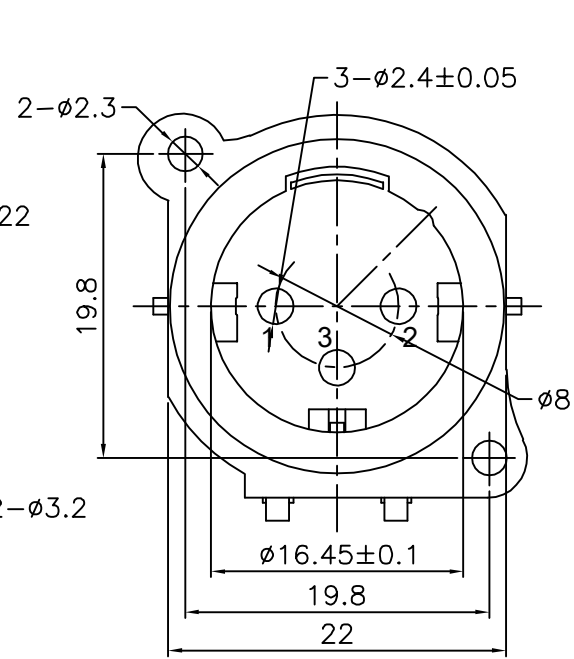
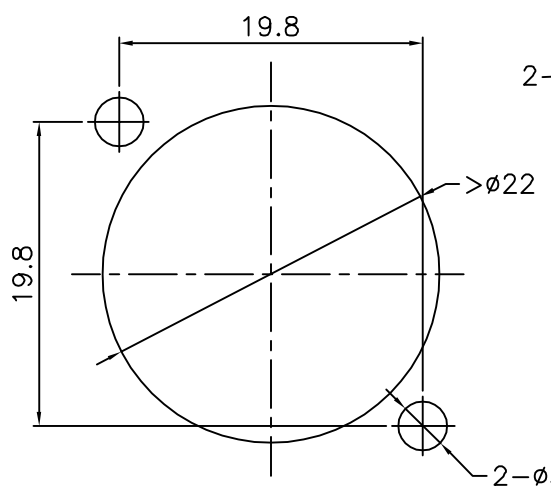
E

D

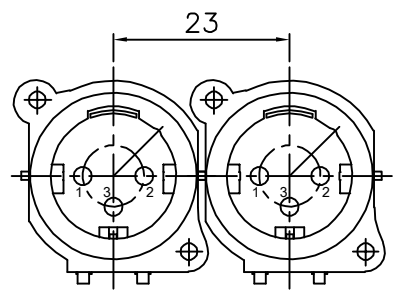
C

B

A



Recommended PCB Footprint



SCALE 1:2

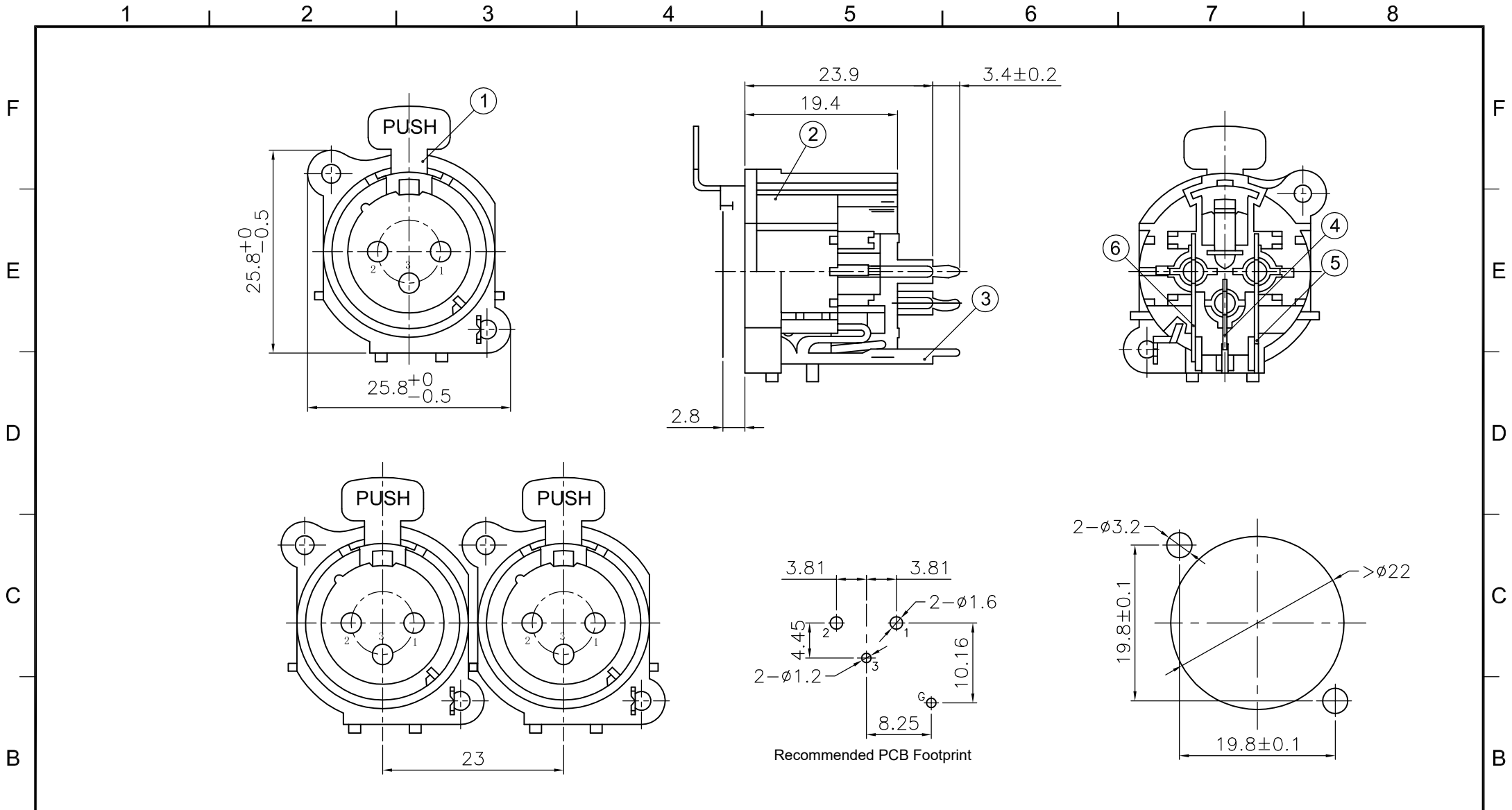
DIMENSIONS ARE IN MILLIMETERS	
UNLESS OTHERWISE SPECIFIED TOLERANCES	
ANGLES = ±5'	
UP TO 6 = ±0.2	
6-40 = ±0.4	
40-120 = ±0.6	
120-315 = ±1	
ABOVE 315 = ±1.6	
THIRD_ANGLE	
SCALE	2/1

APPROVED	DATE
CHECKED	DATE
DRAWN	DATE

Io Audio Technologies			
Description			
EV Series 3 Pin Male XLR Chassis Connector			
PART NO.	IO-XLR3-M-EV	REV.	A1

4	Ground Pin	H62	Nickel	1
3	Signal Pins	H59-1	Gold	3
2	Latch Catch	65Mn	Nickel	1
1	Contact Housing	PA	Black	1
NO.	DESCRIPTION	MATERIAL	FINISH	Q'TY

1 2 3 4 5 6 7 8



6	Pin 1	H62	Gold	1	
5	Pin 2	H62	Gold	1	
4	Pin 3	H62	Gold	1	
3	Ground Terminal	H62	Nickel	1	
2	Contact Housing	PA	Black	1	
1	Latch Release	H62	Nickel	1	
NO.	DESCRIPTION	MATERIAL	FINISH	Q'TY	

DIMENSIONS ARE IN MILLIMETERS		APPROVED	DATE
UNLESS OTHERWISE SPECIFIED TOLERANCES		CHECKED	DATE
ANGLES = ±5°		DRAWN	DATE
UP TO 6 = ±0.2			
6-40 = ±0.4			
40-120 = ±0.6			
120-315 = ±1			
ABOVE 315 = ±1.6			
THIRD_ANGLE			
SCALE	1.5/1		

<h1>Io Audio Technologies</h1>			
Description			
EV Series 3 Pin Female XLR Chassis Connector			
PART NO.	IO-XLR3-F-EV	REV.	A1