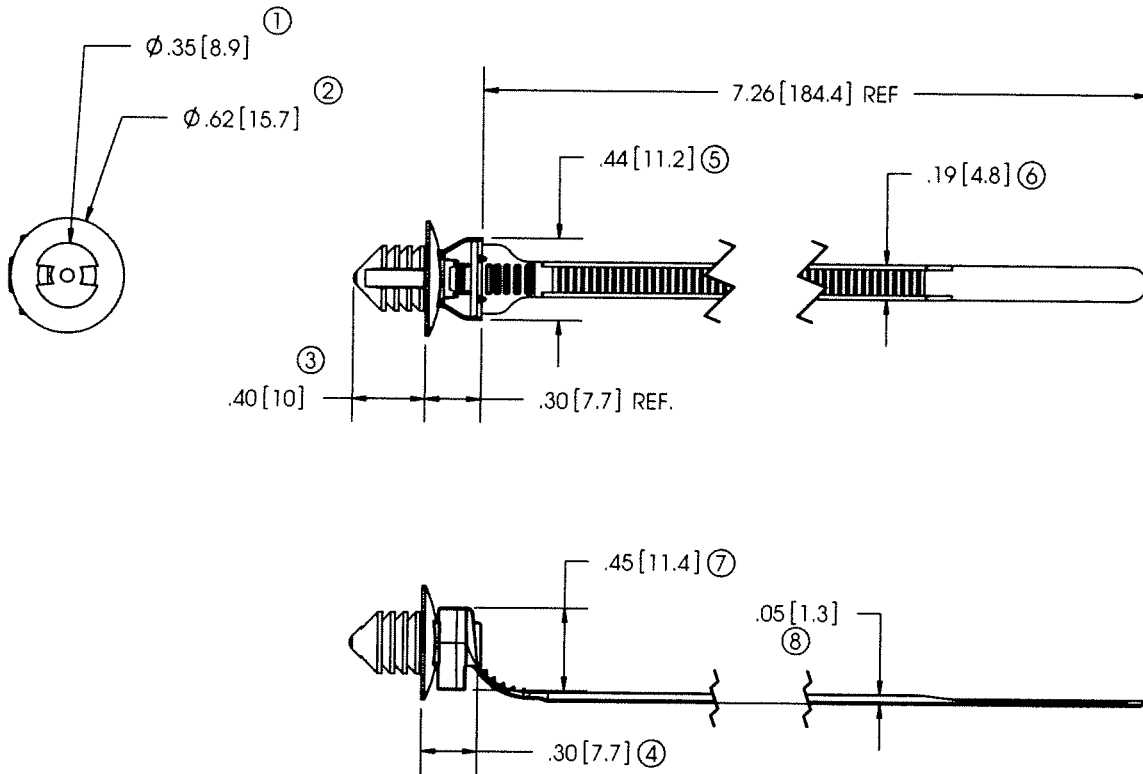


# AVERY DENNISON MARKETING SPECIFICATION

TOLERANCES IN. = .030 IN.  
MM = 0.7 mm



NOT TO SCALE

TENSILE STRENGTH: (LOOPED)	50 LBSF. / 22.7 KGF. MINIMUM PER MIL-S-23190.
OPERATING TEMP. RANGE:	-40°F (-40°C) TO 220°F (105°C)
MATERIAL:	IMPACT MODIFIED NYLON 6/6 PER ASTM D4066 - HEAT STABILIZED, BLACK
WEIGHT:	1.8 GRAMS
BUNDLE DIAMETER:	1/16" - 1-3/4"
MOUNTING:	8MM PUNCHED HOLE, M10 THREADED HOLE
APPLICATION TOOL:	12001 - HAND INSTALLATION TOOL 12500 - PNEUMATIC INSTALLATION TOOL
TOOL TENSION SETTING:	6-8
PACKAGED IN:	500/BAG, 10 BAGS/MASTER



**AVERY DENNISON**

FASTENER DIVISION  
FITCHBURG, MA 01420 U.S.A.  
TEL. 1-800-225-5913  
MA. 978-353-8157

DESCRIPTION:

CURVED TIE, 8MM, 4 FLUTE, BLACK

APPROVALS:

Q.A. *[Signature]* 7/19/12

ENG'RG: *[Signature]* 8/1/12

STOCK NO.

20094

REV.

B

# Mouser Electronics

Authorized Distributor

Click to View Pricing, Inventory, Delivery & Lifecycle Information:

[Avery Dennison:](#)

[20094-0](#)