

SL-401 STROBE LIGHT

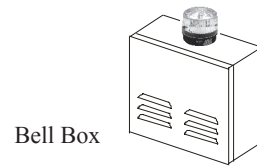


- Easy 2-wire connection with reverse polarity protection
- 60,000 candle power output
- 115mA current draw at 12V DC
- Two colored lead wires AWG#22 provided for input power connection
- Operating life in excess of 200 hours
- Available lens colors: amber, blue, clear, red

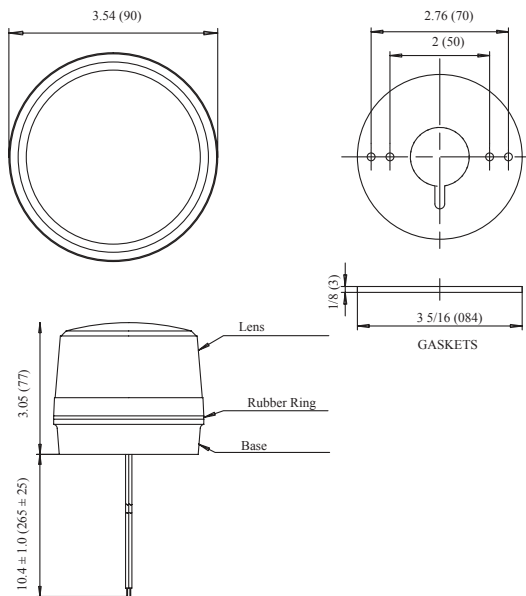
The SL-401 is the lowest current consumption, weather-proof strobe in its class. It operates on 12V DC and draws a low 115mA. It is made of high impact resistant thermoplastic to stand up to abuse. The strobe is rated at 60,000 candle power and is designed with an operating life in excess of 200 hours of continuous operation.

Stock Number	Strobe Color
4190016	Amber
4190017	Blue
4190018	Clear
4190019	Red

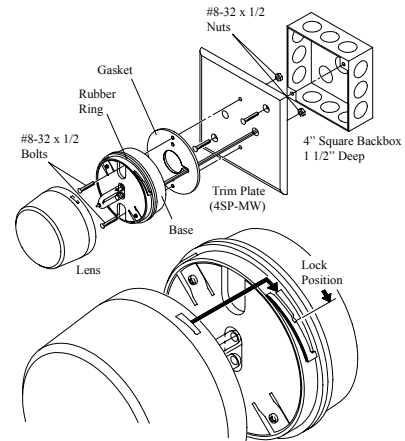
Application



Dimensions: inch (mm)



Installation



⚠ WARNING

Secure the lens firmly in the lock position to create a good seal. Removing the lens repeatedly may cause the rubber ring to flatten and lose its efficiency.

Specifications

Model Number	Input Voltage	Current Output (Amps)	Operating Voltage Range (VDC)	Flash Rate Per Minute	Candle Power	Lens Color Available	Operating Temperature Range
SL-401	12V DC	115mA	9.6 - 14.4	60 - 100	60,000	Amber, Blue Clear, Red	-4°F - 140°F -20°C - 60°C

Mouser Electronics

Authorized Distributor

Click to View Pricing, Inventory, Delivery & Lifecycle Information:

[AMSECO:](#)

[19-401R](#) [19-401C](#) [SL-401-R](#) [SL-401-C](#)