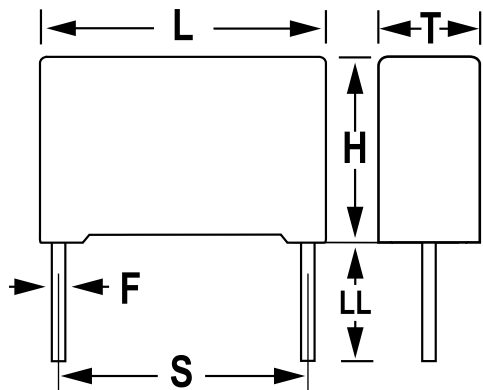


KEMET Part Number: R413I233050T0K
(413I233050T0K)

R41-T, Film, Metallized Polypropylene, Safety, 0.033 uF, 10%, 300 VAC (Y2), 1500 VDC, 125°C, Lead Spacing = 15mm



Dimensions

L	18mm +0.3mm
H	14.5mm +0.1mm
T	8.5mm +0.2mm
S	15mm +/-0.4mm
LL	25mm +2/-1mm
F	0.6mm +/-0.05mm

Packaging Specifications

Packaging:	Bulk, Bag
Packaging Quantity:	500

General Information

Series:	R41-T
Dielectric:	Metallized Polypropylene
Style:	Radial
Features:	Automotive Grade, EMI Safety
RoHS:	Yes
Lead:	Wire Leads
Qualifications:	AEC-Q200, ENEC, UL, cUL, CQC
AEC-Q200:	Yes

Specifications

Capacitance:	0.033 uF
Capacitance Tolerance:	10%
Voltage AC:	300 VAC (Y2)
Voltage DC:	1500 VDC
Temperature Range:	-40/+125°C
Rated Temperature:	125°C
Dissipation Factor:	0.3% 1kHz
Insulation Resistance:	100 GOhms
Max dV/dt:	600 V/us