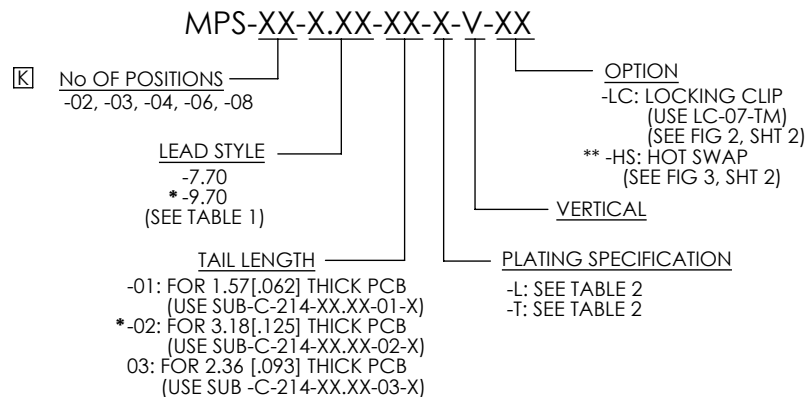
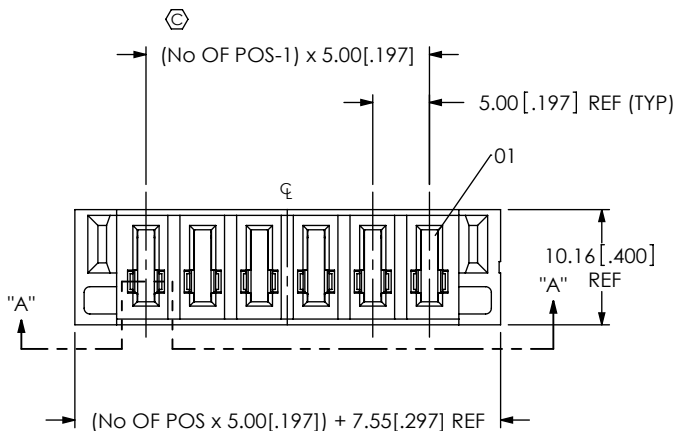
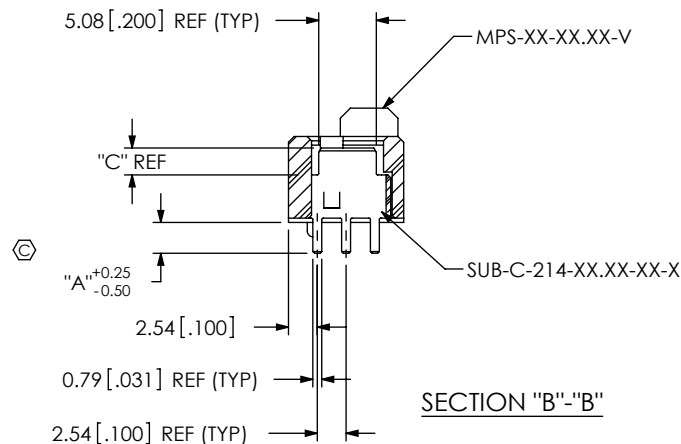
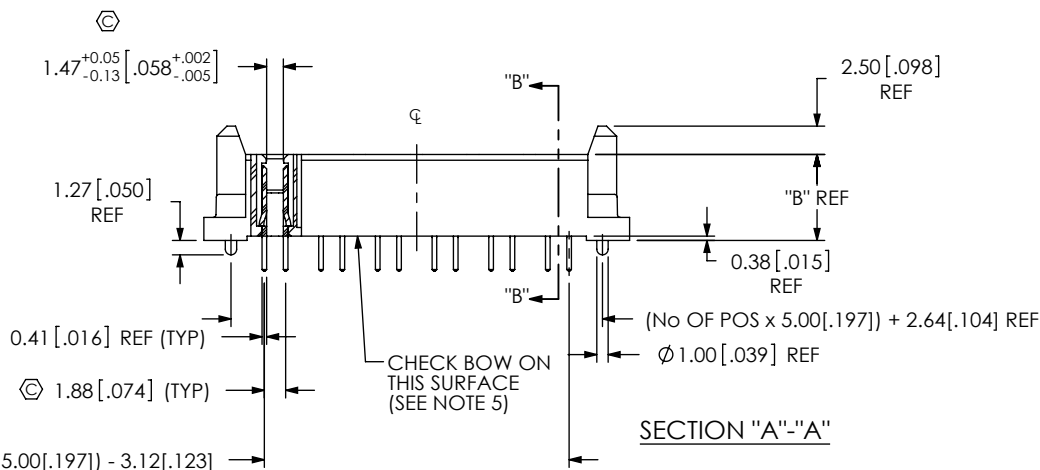


DO NOT SCALE FROM THIS PRINT

DESIGNED & DIMENSIONED IN MILLIMETERS



* = NOT TOOLED
** = NOT RELEASED FOR PRODUCTION



PART NUMBER	BODY	CONTACT SUB-ASSEMBLY	"A"	"B"	"C"	STACK HEIGHT
						MPT-6.30-X-V-XX
MPS-XX-7.70-01-X-V-XX	MPS-XX-07.70-V	SUB-C-214-07.70-01-X	2.72 [0.107]	7.58 [0.298]	2.37 [0.094]	14mm
* MPS-XX-7.70-02-X-V-XX	MPS-XX-07.70-V	SUB-C-214-07.70-02-X	4.32 [0.170]			
MPS-XX-7.70-03-X-V-XX	MPS-XX-07.70-V	SUB-C-214-07.70-03-X	3.52 [0.139]			
* MPS-XX-9.70-01-X-V-XX	MPS-XX-09.70-V	SUB-C-214-09.70-01-X	2.72 [0.107]	9.58 [0.377]	4.37 [0.172]	16mm
* MPS-XX-9.70-02-X-V-XX	MPS-XX-09.70-V	SUB-C-214-09.70-02-X	4.32 [0.170]			
* MPS-XX-9.70-03-X-V-XX	MPS-XX-09.70-V	SUB-C-214-09.70-03-X	3.52 [0.139]			

* = NOT TOOLED
** = NOT RELEASED FOR PRODUCTION

NOTES:

- ⊕ REPRESENTS A CRITICAL DIMENSION.
- BURR ALLOWANCE: 0.038[.0015] MAX.
- MINIMUM PUSHOUT FORCE: 4.45N[1.0 LB].
- PARTS TO BE PACKAGED IN TRAYS.
- BOW ALLOWED AT 0.002 MM/MM [.002 IN/IN].
- MINIMUM -LC PULL OUT FORCE: 2.23 N [0.5 LB]
- PARTS TO BE PACKAGED IN TRAYS.

UNLESS OTHERWISE SPECIFIED, DIMENSIONS ARE IN MILLIMETERS. TOLERANCES ARE:
DECIMALS ANGLES
.X: ±0.3 [.01] 2°
.XX: ±0.13 [.005]
.XXX: ±0.051 [.0020]

PROPRIETARY NOTE
THIS DOCUMENT CONTAINS INFORMATION CONFIDENTIAL AND PROPRIETARY TO SAMTEC, INC. AND SHALL NOT BE REPRODUCED OR TRANSFERRED TO OTHER DOCUMENTS OR DISCLOSED TO OTHERS OR USED FOR ANY PURPOSE OTHER THAN THAT WHICH IT WAS OBTAINED WITHOUT THE EXPRESSED WRITTEN CONSENT OF SAMTEC, INC.



520 PARK EAST BLVD, NEW ALBANY, IN 47150
PHONE: 812-944-6733 FAX: 812-948-5047
e-Mail: info@SAMTEC.com code: 55322

MATERIAL: DO NOT SCALE DRAWING
INSULATOR: LCP, COLOR: BLACK
CONTACT: COPPER ALLOY

SHEET SCALE: 1:5:1

DESCRIPTION:
VERTICAL MINI-POWER SOCKET

DWG. NO.
MPS-XX-X.XX-XX-X-V-XX

BY: BRATCHER 2/15/2007 SHEET 1 OF 2

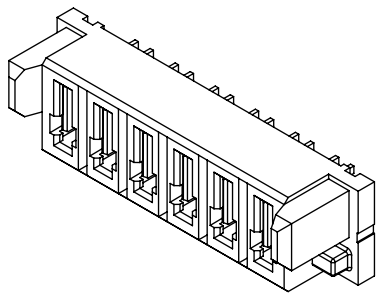


FIG 2
MPS-06-7.70-0T-X-V-LC SHOWN
(SAME AS FIG 1, UNLESS OTHERWISE STATED)

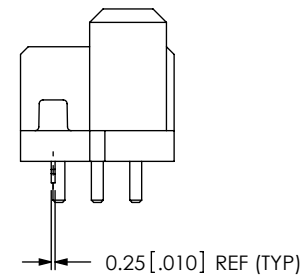
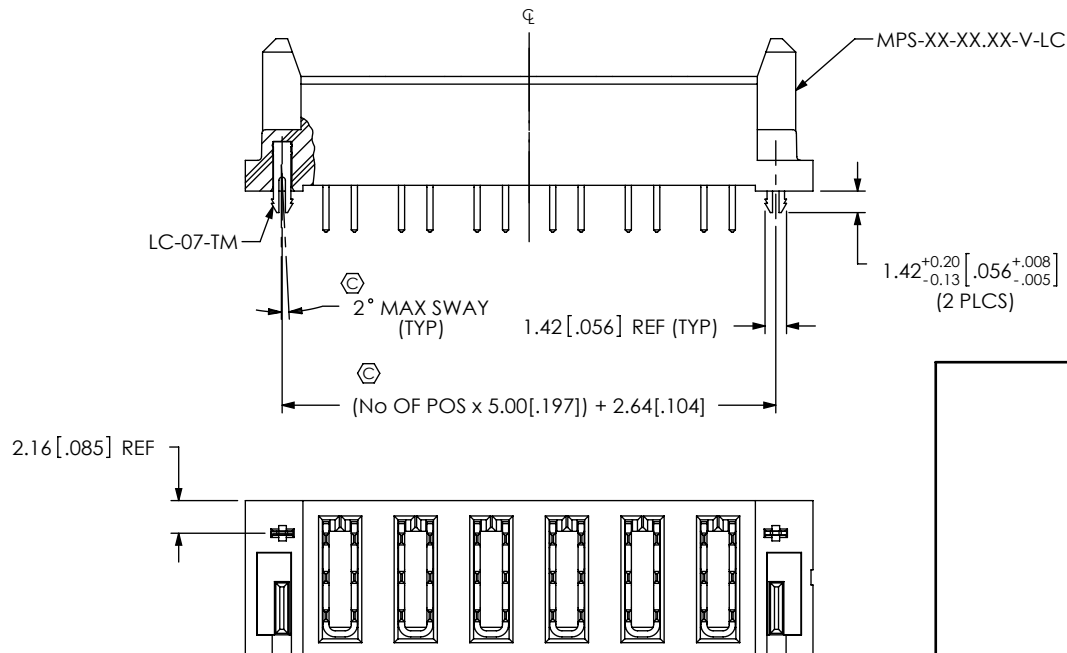
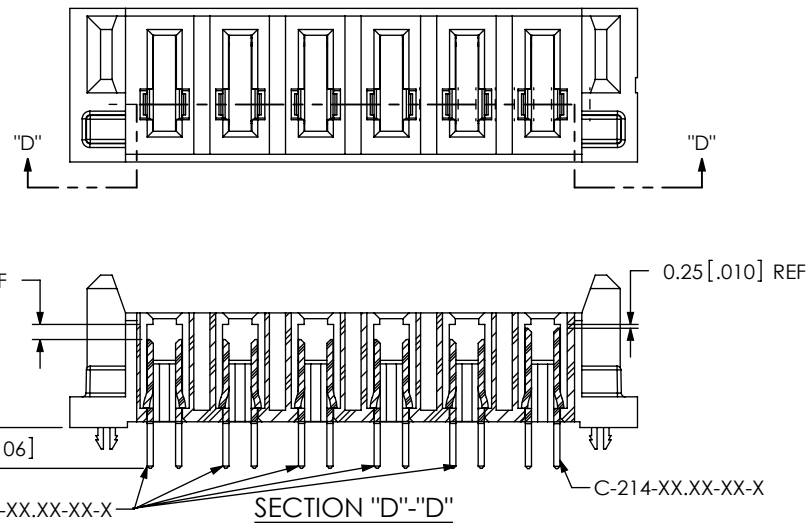


FIG 3
MPS-06-7.70-0T-X-V-LC-HS SHOWN
(SAME AS FIG 2, UNLESS OTHERWISE STATED)



PLATING	POWER PIN CONTACT AREA	POWER PIN TAIL
-L	LIGHT GOLD	MATTE TIN
-T	MATTE TIN	MATTE TIN

PROPRIETARY NOTE
THIS DOCUMENT CONTAINS INFORMATION
CONFIDENTIAL AND PROPRIETARY TO
SAMTEC, INC. AND SHALL NOT BE REPRODUCED
OR TRANSFERRED TO OTHER DOCUMENTS OR
DISCLOSED TO OTHERS OR USED FOR ANY
PURPOSE OTHER THAN THAT WHICH IT WAS
OBTAINED WITHOUT THE EXPRESSED WRITTEN
CONSENT OF SAMTEC, INC.

DO NOT SCALE DRAWING

SHEET SCALE: 2:1

samtec

520 PARK EAST BLVD, NEW ALBANY, IN 47150
PHONE: 812-944-6733 FAX: 812-948-5047
e-Mail: info@SAMTEC.com code: 55322

DESCRIPTION:
VERTICAL MINI-POWER SOCKET

DWG. NO.
MPS-XX-X.XX-XX-X-V-XX

BY: BRATCHER 2/15/2007 SHEET 2 OF 2