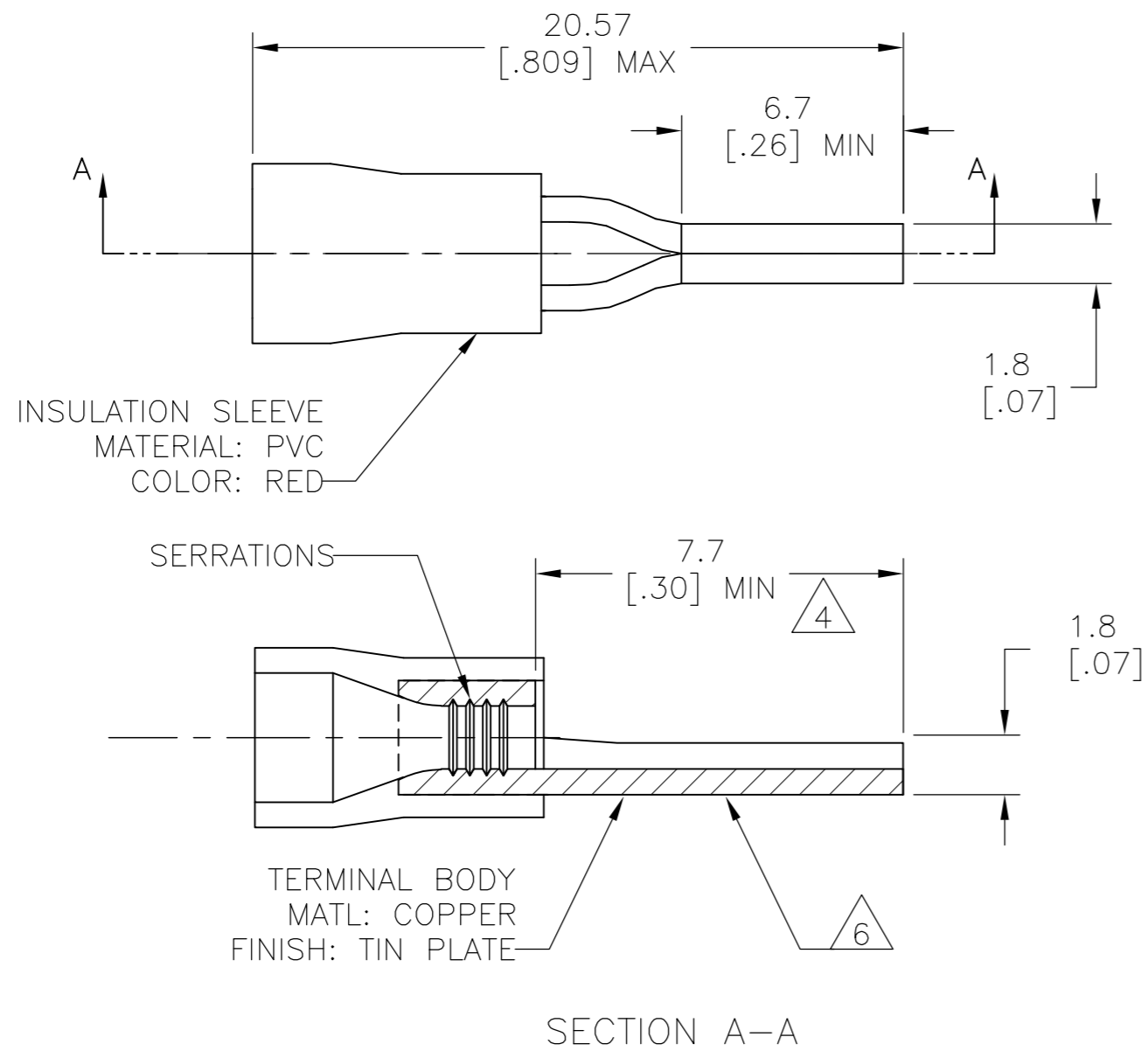


THIS DRAWING IS UNPUBLISHED. RELEASED FOR PUBLICATION  
 © COPYRIGHT - By - ALL RIGHTS RESERVED.

LOC	DIST	REVISIONS					
		P	LTR	DESCRIPTION	DATE	DWN	APVD
G	02	G2		REVISED PER ECO-14-003208	18MAR2014	NK	DR



- 1 WIRE SIZE IS #22-#16 AWG
- 2 WIRE INSULATION DIA: 2.7 - 3.6[.10-.14]
- 3 MATERIAL THICKNESS IS 0.8[.03]
- 4 DIMENSION APPLIES FROM EDGE OF METAL WIRE BARREL TO END OF PIN
- 5 SUPERSEDED BY 342126-1
- 6 STAMP AMP 22-16\* APPROX AS SHOWN
- 7 MAX RECOMMENDED OPERATING TEMPERATURE 105°C[221°F]

POLY BAG WITH HEADER	STANDARD	100	5	7-342126-1
PLASTIC BOX	STANDARD	100	5	6-342126-1
LOOSE PIECE	STANDARD	1000		342126-1
PACKAGING	LABELLING	QTY RED		PART NO

THIS DRAWING IS A CONTROLLED DOCUMENT.		DWN jr ruth 07AUG03	TE Connectivity	
DIMENSIONS: mm [INCHES]		CHK T MICHELUTTI 07AUG03	NAME TERMINAL, WIRE PIN, PLASTI-GRIP,	
TOLERANCES UNLESS OTHERWISE SPECIFIED:		APVD T MICHELUTTI 07AUG03	PRODUCT SPEC	
0 PLC ± -		APPLICATION SPEC		
1 PLC ± 0.50[.019]		WEIGHT		
2 PLC ± -		SIZE A2		
3 PLC ± -		CAGE CODE 00779		
4 PLC ± -		DRAWING NO C=342126		
ANGLES ± 1°		RESTRICTED TO		
MATERIAL		SCALE 5:1		
FINISH		SHEET 1 of 1		
		REV G2		
		CUSTOMER DRAWING		

# Mouser Electronics

Authorized Distributor

Click to View Pricing, Inventory, Delivery & Lifecycle Information:

[TE Connectivity:](#)

[342126-1](#)