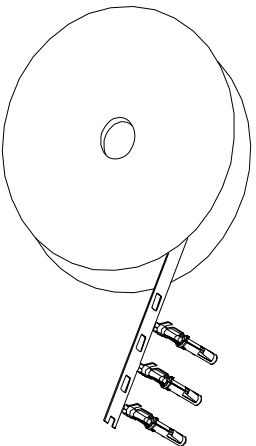


REVISIONS				
REV	ECO	DESCRIPTION	DATE	BY APPR
B1	-	RELEASED DRAWING	AUG-17-2014	BEN TOMMY

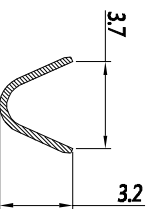


CONTACT ORIENTATION ON ROLL

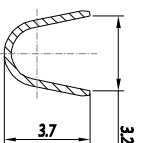
NOTES : (UNLESS OTHERWISE SPECIFIED)

- MATERIAL :
 - CONTACT BODY : COPPER ALLOY.
 - OUTER SPRING : STAINLESS STEEL.
- SPECIFICATIONS :
 - CURRENT RATING : 13A MAX.
 - TERMINATION TYPE : CRIMPING.
 - WIRE RANGE : 16~14AWG.
 - WIRE INSULATION DIA(MAX) : Ø3.2mm.
- ROHS COMPLIANT.
- ALL DIMENSIONS ARE FOR REFERENCE USE ONLY.
- AVAILABLE TOOLS :
 - HAND CRIMPER : MFX-3954.
 - CRIMP APPLICATOR : MFX-3957.
 - EXTRACTION TOOL : QXRT16.

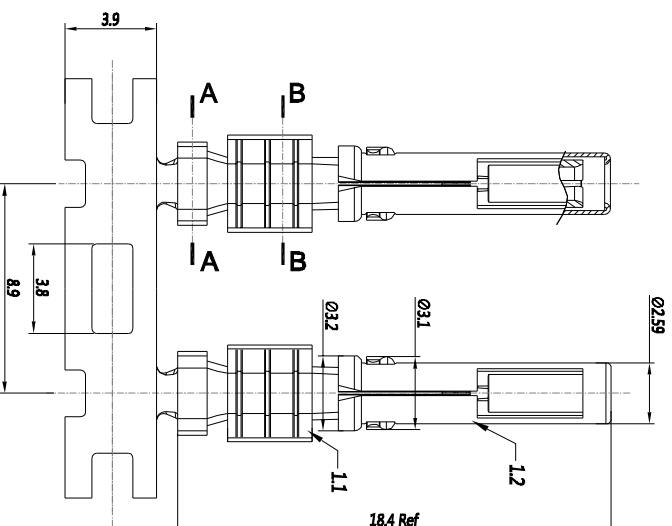
P/N	CONTACT PLATING(MATING AREA)
SS14M1T	TIN PLATING OVER NICKEL.
SS14M1F	GOLD FLASH PLATING OVER NICKEL.
SS14M1G10	10µ" GOLD PLATING OVER NICKEL.
SS14M1G15	15µ" GOLD PLATING OVER NICKEL.
SS14M1G30	30µ" GOLD PLATING OVER NICKEL.



SECTION B-B



SECTION A-A



QUANTITY	PART NUMBER	DESCRIPTION	ITER
MATERIALS LIST			
UNLESS OTHERWISE SPECIFIED		DRAWN: BHI	
1) ALL DIMENSIONS ARE IN MILLIMETERS.		DATE: 11/27/11	
2) Tolerances are as follows:		CHECKED: MJC/TJM	
1 PL, DEC 20 08		ENGINEER:	
2 PL, DEC 20 08		APPROVAL:	
3) Note reference =		CUSTOMER:	
MATERIAL SPECIFICATIONS:		THIS DRAWING IS SUPPLIED FOR INFORMATION ONLY. ALL DIMENSIONS, SPECIFICATIONS AND PERFORMANCE DATA ARE THE PROPERTY OF SINE SYSTEMS. THE INFORMATION CONTAINED HEREIN IS FOR REPRODUCTION AND REPRODUCTION HEREIN IS FOR MANUFACTURING VARIATION.	
PROCESS SPECIFICATIONS:		ECONOMATE SOCKET CONTACT, STAMPED, 14-16AWG, SIZE 16.	
NEXT ASST:		SCALE: NONE	

Amphenol
 Sine Systems - www.amphenol-sine.com
 44724 Morley Drive
 Clinton Township, MI 48038