

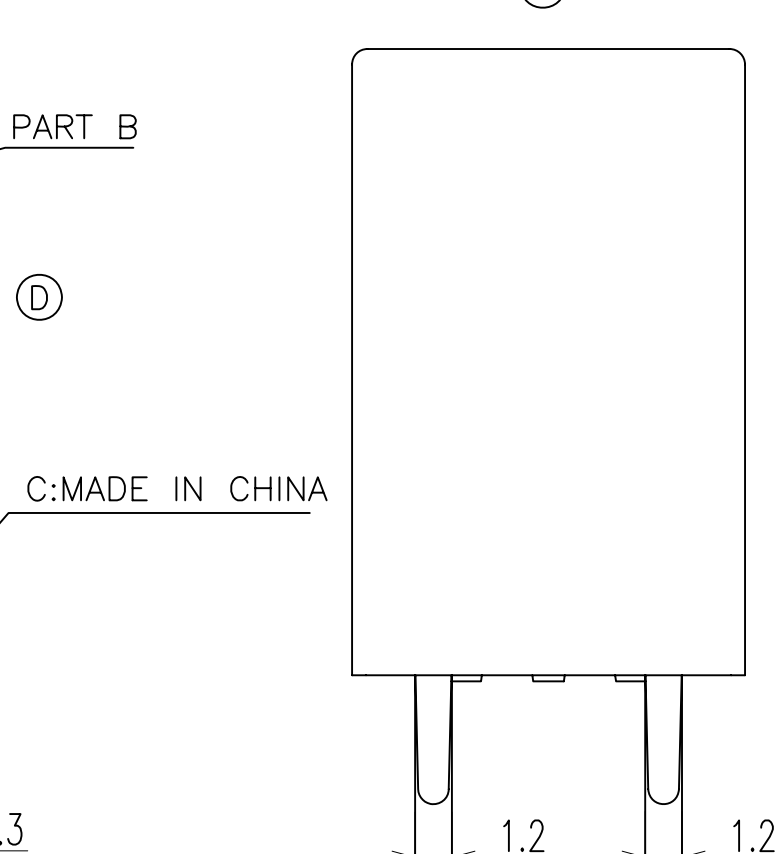
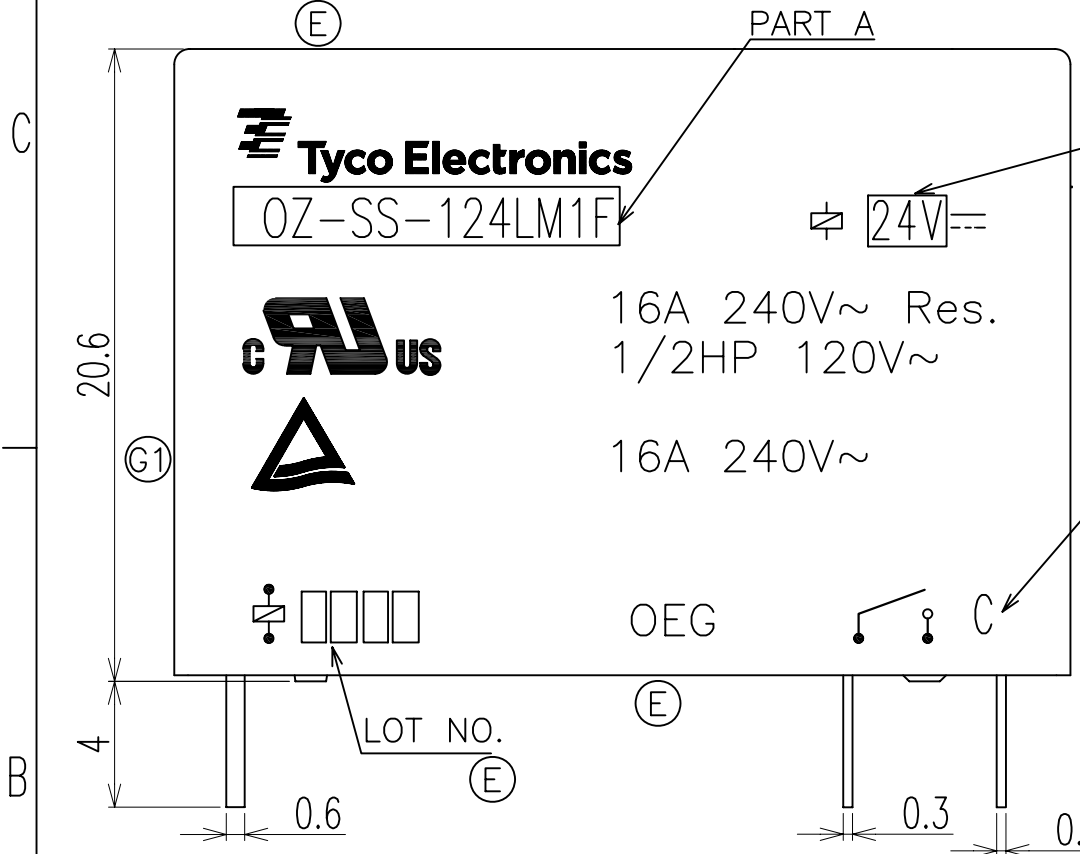
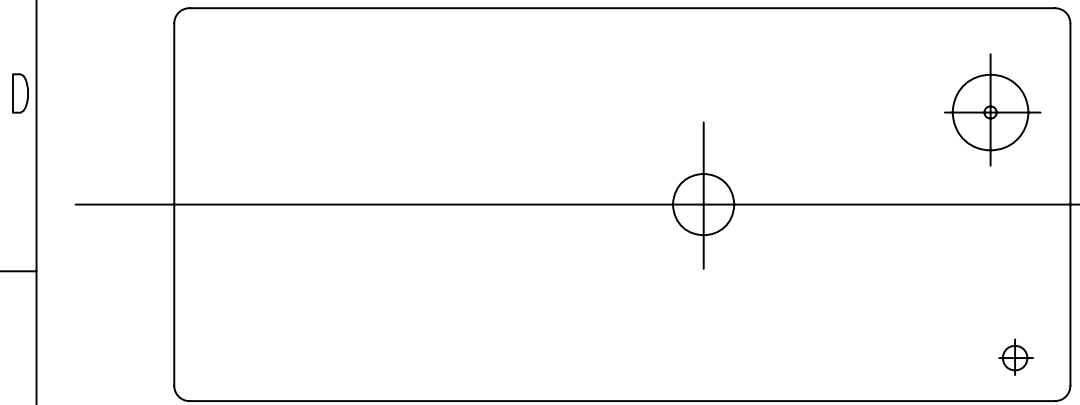
THIS DRAWING IS UNPUBLISHED. RELEASED FOR PUBLICATION
 © COPYRIGHT BY TYCO ELECTRONICS CORPORATION. ALL RIGHTS RESERVED.

LOC
HB

DIST

REVISIONS

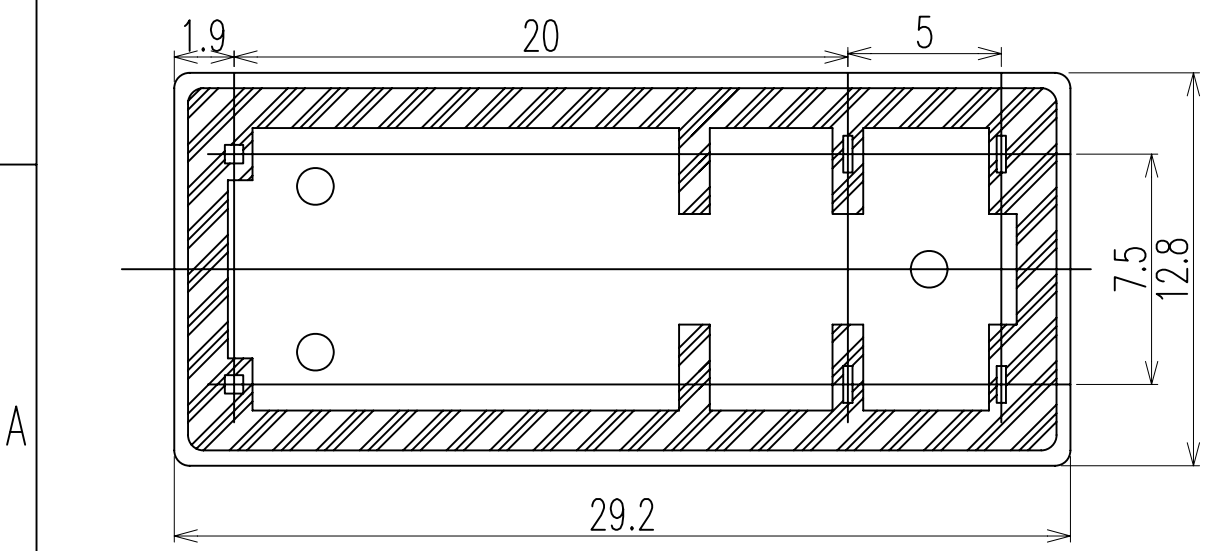
P	LTR	DESCRIPTION	ECN	DATE	DWN	APVD
	D1	ADD TYPE	ECO-06-029751	15-DEC-06	KS.L	XN.Z
	E	CHANGE NEW LOGO AND LOT NO.	ECO-08-020351	13-SEP-08	KS.L	XN.Z
	G1	ADD TUV LOGO FOR LMIF TYPE	ECO-09-023105	14-OCT-09	D.L	BH.Y



Ⓔ L TYPE:

Ⓔ1	1461868-7	OZ-SS-109LM1F	9V	OZ-SS-109LM1F	g
Ⓔ2	1461868-5	OZ-SS-112LM1F	12V	OZ-SS-112LM1F	e
Ⓔ3	1461868-4	OZT-SH-112LM1F	12V	OZT-SH-112LM1F	d
	1461868-3	OZ-SH-124LM1F	24V	OZ-SH-124LM1F	c
	1461868-2	OZ-SS-124LM1F	24V	OZ-SS-124LM1F	b
	1461868-1	OZ-SH-112LM1F	12V	OZ-SH-112LM1F	a
	PART NO	DESCRIPTION	PART B	PART A	ITEM

RELAY TYPE



THIS DRAWING IS A CONTROLLED DOCUMENT FOR TYCO ELECTRONICS CORPORATION
 IT IS SUBJECT TO CHANGE AND THE CONTROLLING ENGINEERING ORGANIZATION
 SHOULD BE CONTACTED FOR THE LATEST REVISION.

DIMENSIONS:	TOLERANCES UNLESS OTHERWISE SPECIFIED:
mm	
	±
	±
	±
	±
	±
	±

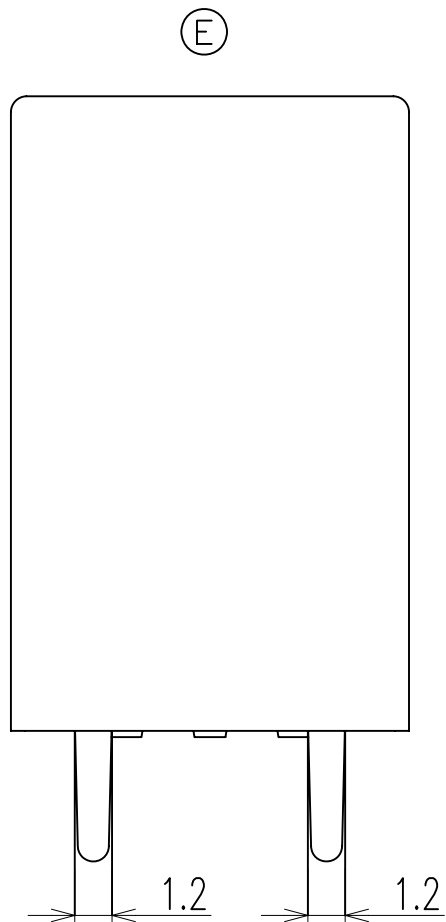
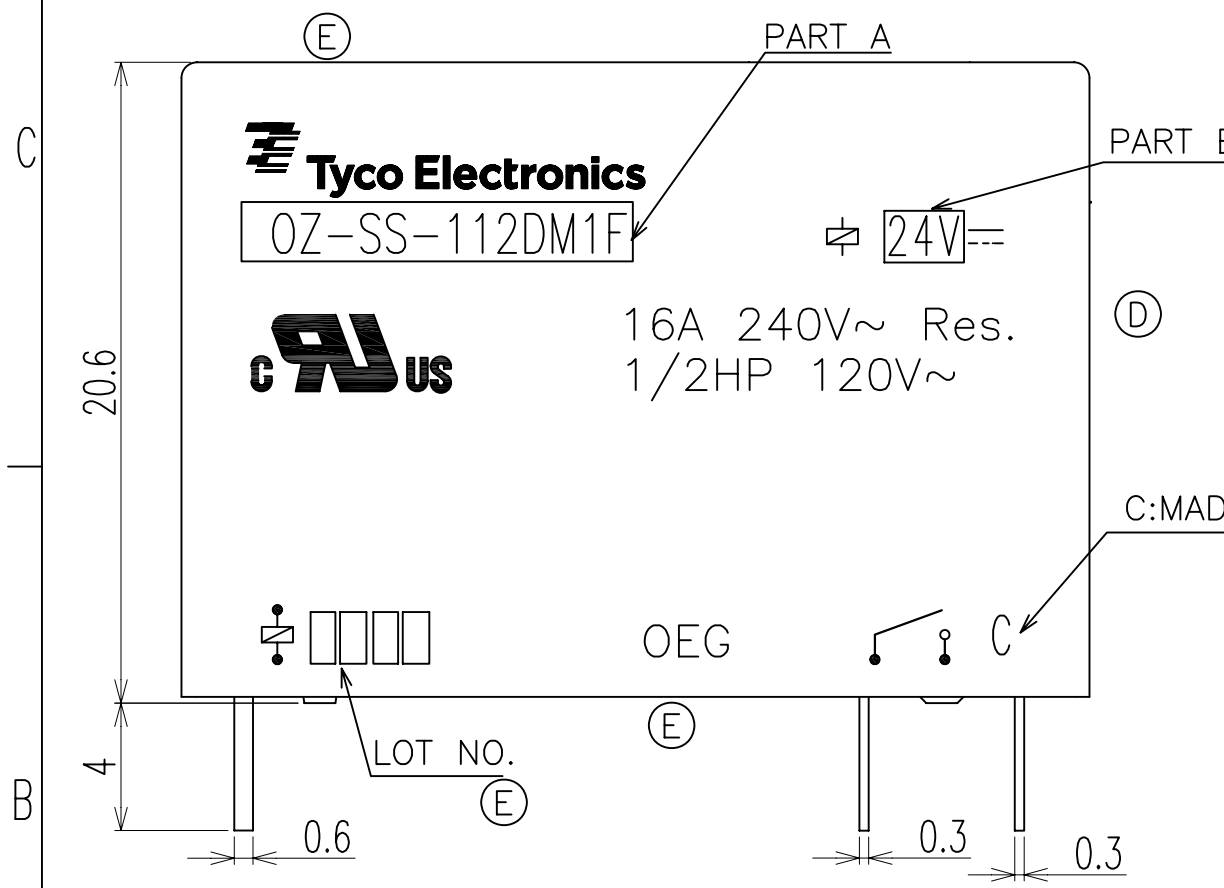
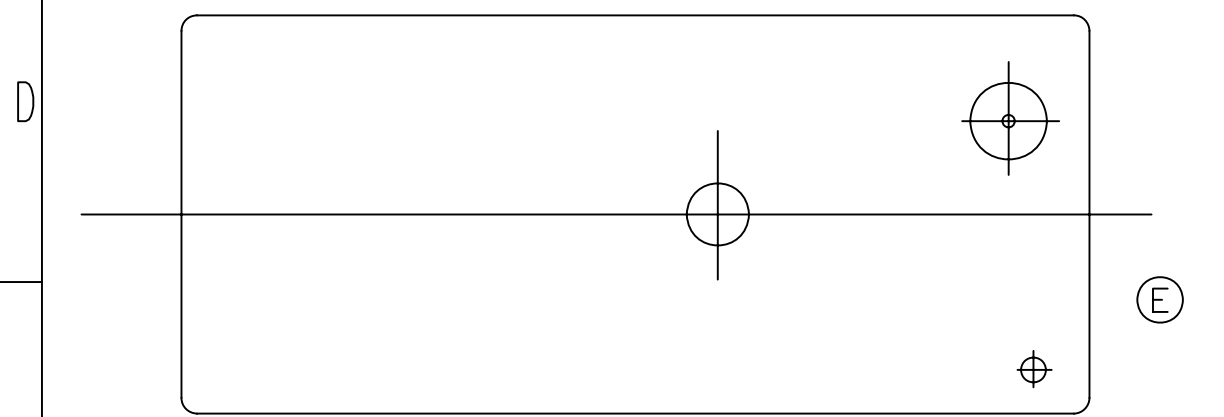
MATERIAL: - FINISH: -

DWN	H.SASAKI	Tyco Electronics Corporation Shenzhen, China	
CHK	N.FUNAYAMA		
APVD	A.NAGAI	NAME	
PRODUCT SPEC	-	OZ CUSTOMER DRAWING	
APPLICATION SPEC	-	SIZE	RESTRICTED TO
WEIGHT	-	A3	-
CUSTOMER DRAWING		CAGE CODE	DRAWING NO
		00779	1461868
		SCALE	SHEET
		4:1	1 OF 3
		REV	G1

THIS DRAWING IS UNPUBLISHED. RELEASED FOR PUBLICATION

© COPYRIGHT BY TYCO ELECTRONICS CORPORATION. ALL RIGHTS RESERVED.

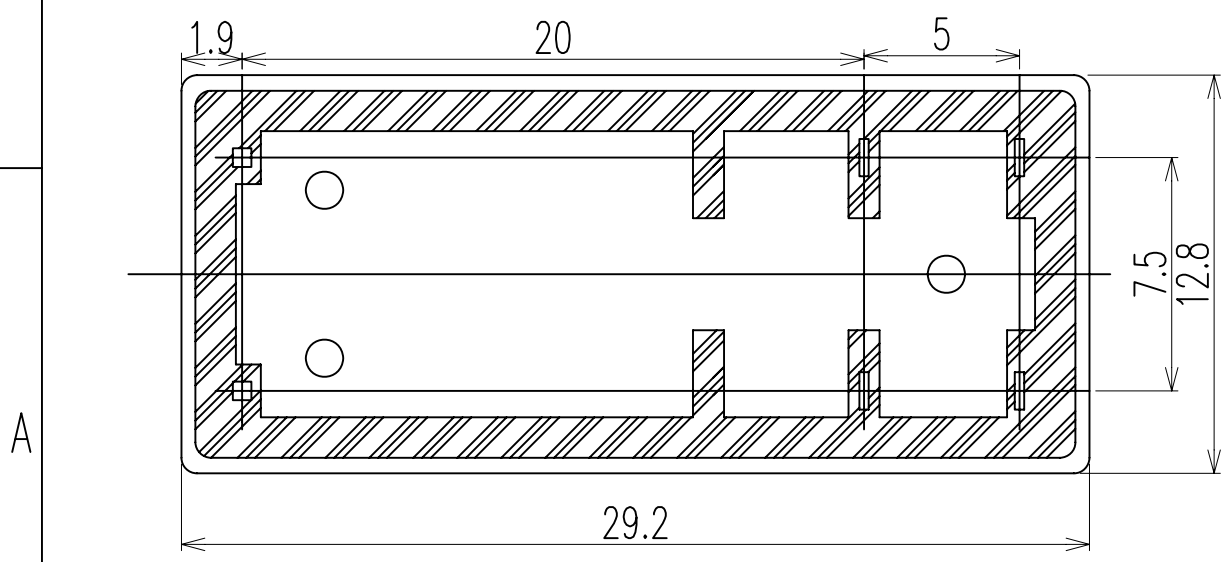
LOC HB	DIST	REVISIONS						
		P	LTR	DESCRIPTION	ECN	DATE	DWN	APVD



Ⓒ D TYPE:

1461868-6	OZ-SS-112DM1F	12V	OZ-SS-112DM1F	f
PART NO	DESCRIPTION	PART B	PART A	ITEM

RELAY TYPE



THIS DRAWING IS A CONTROLLED DOCUMENT FOR TYCO ELECTRONICS CORPORATION IT IS SUBJECT TO CHANGE AND THE CONTROLLING ENGINEERING ORGANIZATION SHOULD BE CONTACTED FOR THE LATEST REVISION.		DWN	Tyco Electronics Corporation Shenzhen, China			
DIMENSIONS: mm		CHK				
		APVD	NAME			
TOLERANCES UNLESS OTHERWISE SPECIFIED:		PRODUCT SPEC	OZ CUSTOMER DRAWING			
0 PLC ±		APPLICATION SPEC	SIZE	CAGE CODE	DRAWING NO	RESTRICTED TO
1 PLC ±			A3	00779	Ⓒ 1461868	-
2 PLC ±						
3 PLC ±						
4 PLC ±						
ANGLES ±						
MATERIAL	FINISH	WEIGHT				
-	-	-	CUSTOMER DRAWING			SCALE 4:1 SHEET 2 OF 3 REV G1

4

3

2

1

THIS DRAWING IS UNPUBLISHED.

RELEASED FOR PUBLICATION

© COPYRIGHT

BY TYCO ELECTRONICS CORPORATION. ALL RIGHTS RESERVED.

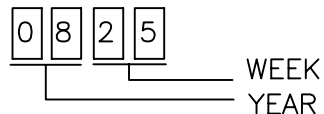
LOC
HB

DIST

REVISIONS

P	LTR	DESCRIPTION	ECN	DATE	DWN	APVD

(E) NOTES:
1. LOT NO. SYSTEM AS FOLLOWING:

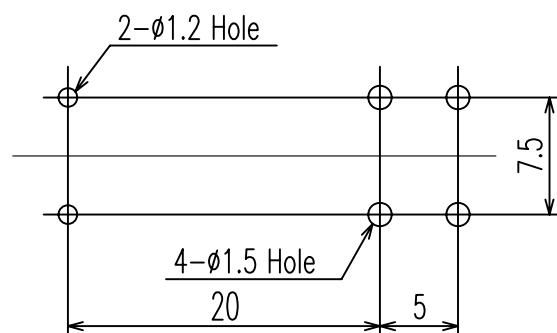


2. GENERAL TOLERANCE AS FOLLOWING:

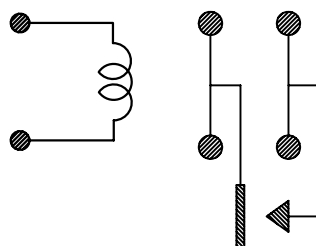
TOLERANCE	
0~0.99mm	±0.1
1mm~2.99mm	±0.2
3mm MIN.	±0.3

3. TERMINAL DIMENSION IS NOT INCLUDING SOLDER TIP.

CIRCUIT DIAGRAM(2/1)
(BOTTOM VIEW)



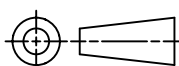
DRILLING DIAGRAM
(BOTTOM VIEW)



		EPOXY RESIN	SEAL	15	
		Cu ALLOY	HINGE SPRING	14	
		PBT	CASE	13	
		MW79	MAGNETIC WIRE	12	
UL94V-0		PET	BASE	11	
UL94V-0		PA66 NYLON(CLASS F)	BOBBIN	10	
	SOLDER DIP	Cu ALLOY	COIL TERMINAL	9	
UL94V-0		PPS	CARD	8	
		Ag ALLOY	MOVABLE CONTACT	7	
		Ag ALLOY	STATIONARY CONTACT	6	
	SOLDER DIP	Cu ALLOY	MOVABLE SPRING	5	
	SOLDER DIP	Cu ALLOY	NO-TERMINAL	4	
		Ni PLATED	STEEL	CORE	3
		Ni PLATED	STEEL	ARMATURE	2
		Ni PLATED	STEEL	YOKE	1
	INCOMBUSTIBILITY	TREATMENT	MATERIAL	DESCRIPTION	ITEM

THIS DRAWING IS A CONTROLLED DOCUMENT FOR TYCO ELECTRONICS CORPORATION
IT IS SUBJECT TO CHANGE AND THE CONTROLLING ENGINEERING ORGANIZATION
SHOULD BE CONTACTED FOR THE LATEST REVISION.

DIMENSIONS:
mm



TOLERANCES UNLESS
OTHERWISE SPECIFIED:

0 PLC ±
1 PLC ±
2 PLC ±
3 PLC ±
4 PLC ±
ANGLES ±

MATERIAL

FINISH

DWN

CHK

APVD

PRODUCT SPEC

APPLICATION SPEC

WEIGHT

CUSTOMER DRAWING



Tyco Electronics Corporation
Shenzhen, China

NAME

OZ CUSTOMER DRAWING

SIZE

A3

CAGE CODE

00779

DRAWING NO

G= 1461868

RESTRICTED TO

-

SCALE 4:1

SHEET 3 OF 3

REV G1