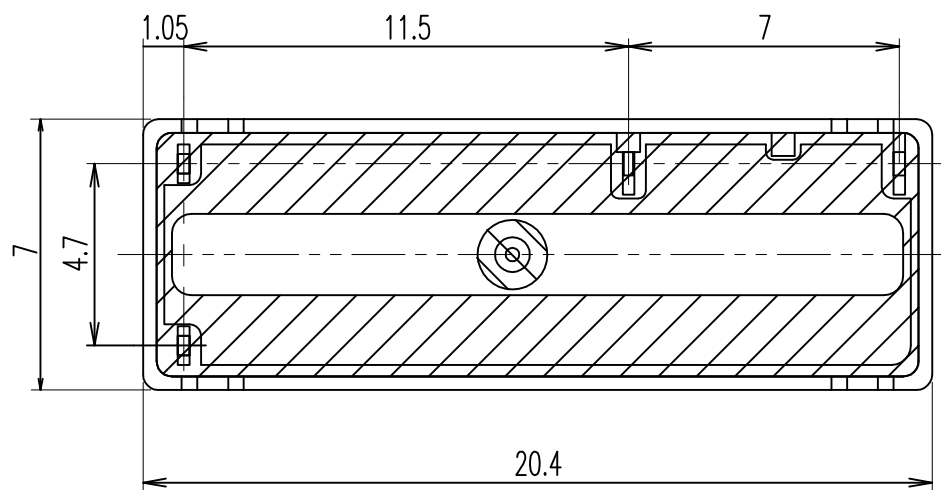
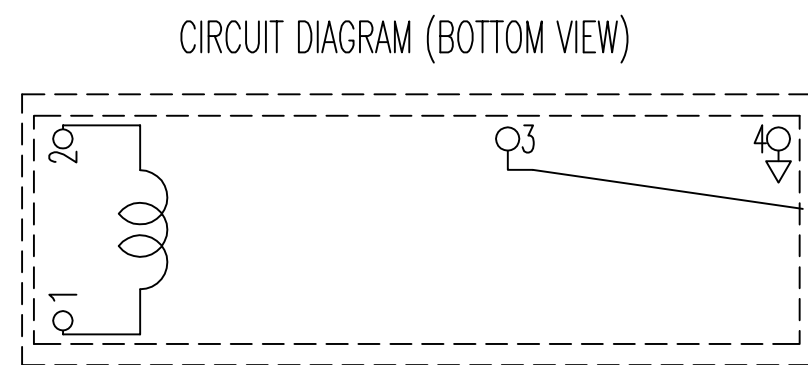
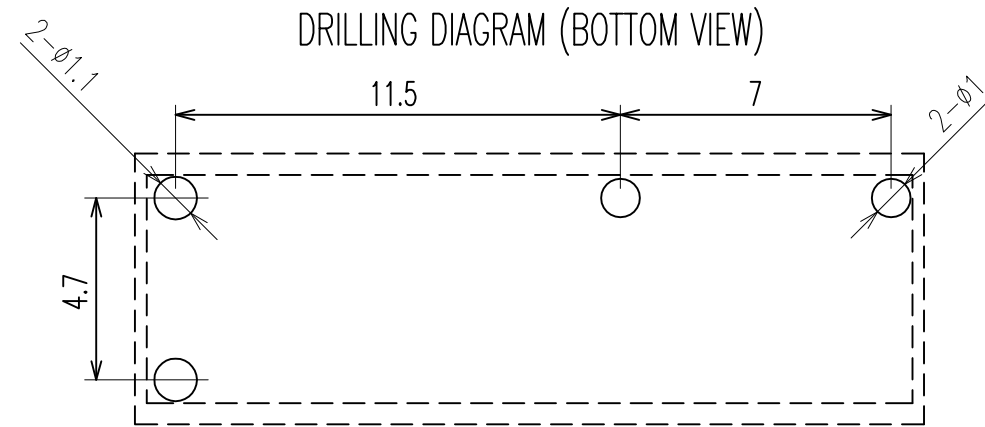
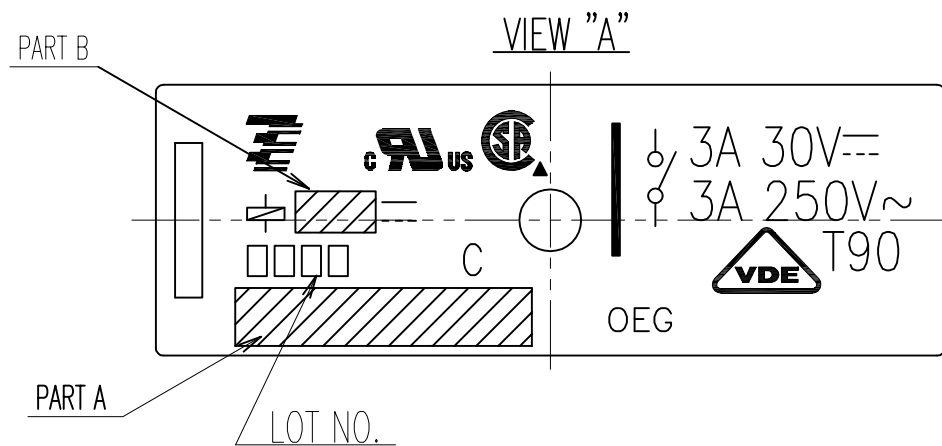
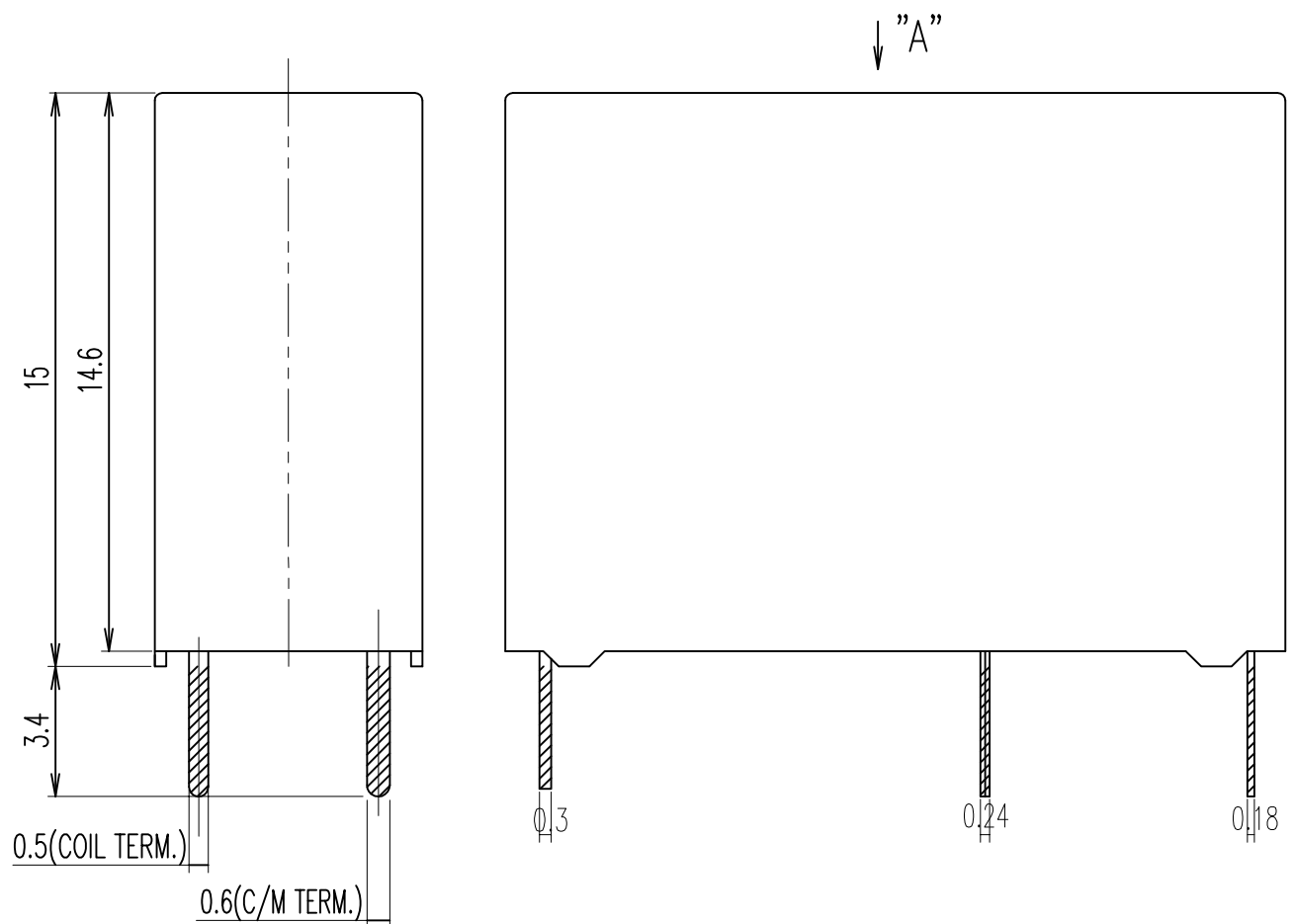


THIS DRAWING IS UNPUBLISHED. RELEASED FOR PUBLICATION
 © COPYRIGHT BY TYCO ELECTRONICS CORPORATION. ALL RIGHTS RESERVED.

LOC		DIST		REVISIONS					
P	LTR	DESCRIPTION		ECN	DATE	DWN	APVD		
	A	RELEASE		-	10-MAR-10	FS.H	BH.Y		



NOTE:
 1. LOT NO SYSTEM AS FOLLOWING:

THIS DRAWING IS A CONTROLLED DOCUMENT FOR TYCO ELECTRONICS CORPORATION IT IS SUBJECT TO CHANGE AND THE CONTROLLING ENGINEERING ORGANIZATION SHOULD BE CONTACTED FOR THE LATEST REVISION.		DWN FENGSHENG HU		Tyco Electronics Corporation Shenzhen, China	
DIMENSIONS: mm		CHK BANGHUA YU		NAME	
TOLERANCES UNLESS OTHERWISE SPECIFIED: 0 PLC ± 1 PLC ± 2 PLC ± 3 PLC ± 4 PLC ± ANGLES ±		APVD SUNNY ZHANG		PCJ SPEC ,301Y	
MATERIAL		PRODUCT SPEC		DRAWING NO	
FINISH		APPLICATION SPEC		RESTRICTED TO	
WEIGHT		SIZE A3		CAGE CODE 00779	
CUSTOMER DRAWING		DRAWING NO 1721142		SCALE 5:1	
		SHEET 1 OF 2		REV A	

4

3

2

1


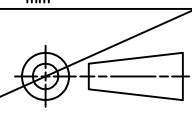
THIS DRAWING IS UNPUBLISHED. | RELEASED FOR PUBLICATION
 © COPYRIGHT BY TYCO ELECTRONICS CORPORATION. ALL RIGHTS RESERVED.

LOC	HB	DIST	REVISIONS							
			P	LTR	DESCRIPTION	ECN	DATE	DWN	APVD	

n	PCJ-124D3MH ,301Y	2-1721142-8	107-79014 (TRAY)	SEAL UP INSPECTION ON EVERY PRODUCT	24V	PCJ-124D3MH
m	PCJ-118D3MH ,301Y	—	107-79014 (TRAY)	SEAL UP INSPECTION ON EVERY PRODUCT	18V	PCJ-118D3MH
l	PCJ-112D3MH ,301Y	2-1721142-6	107-79014 (TRAY)	SEAL UP INSPECTION ON EVERY PRODUCT	12V	PCJ-112D3MH
k	PCJ-109D3MH ,301Y	—	107-79014 (TRAY)	SEAL UP INSPECTION ON EVERY PRODUCT	9V	PCJ-109D3MH
j	PCJ-106D3MH ,301Y	—	107-79014 (TRAY)	SEAL UP INSPECTION ON EVERY PRODUCT	6V	PCJ-106D3MH
i	PCJ-105D3MH ,301Y	—	107-79014 (TRAY)	SEAL UP INSPECTION ON EVERY PRODUCT	5V	PCJ-105D3MH
h	PCJ-103D3MH ,301Y	—	107-79014 (TRAY)	SEAL UP INSPECTION ON EVERY PRODUCT	3V	PCJ-103D3MH
g	PCJ-124D3M ,301Y	2-1721142-1	107-79014 (TRAY)		24V	PCJ-124D3M
f	PCJ-118D3M ,301Y	—	107-79014 (TRAY)		18V	PCJ-118D3M
e	PCJ-112D3M ,301Y	1-1721142-9	107-79014 (TRAY)		12V	PCJ-112D3M
d	PCJ-109D3M ,301Y	—	107-79014 (TRAY)		9V	PCJ-109D3M
c	PCJ-106D3M ,301Y	—	107-79014 (TRAY)		6V	PCJ-106D3M
b	PCJ-105D3M ,301Y	—	107-79014 (TRAY)		5V	PCJ-105D3M
a	PCJ-103D3M ,301Y	—	107-79014 (TRAY)		3V	PCJ-103D3M
No	EC TYPE NAME	TE PART NO	PACKING SPECIFICATION	DESCRIPTION	PART B	PART A

RELAY TYPE

		Sn-Ag-Cu	SOLDER	18
94V-0		PBT	CASE	17
		UV	SEAL(BASE)	16
		EPOXY	SEAL(CASE AND BASE)	15
		3UEW	MAGNETIC WIRE	14
94V-0		PBT	CARD	13
		Ag ALLOY	STATIONARY CONTACT	12
	SOLDER DIP	Cu ALLOY	STATIONARY TERMINAL	11
		Ag ALLOY	MOVABLE CONTACT	10
	SOLDER DIP	Cu ALLOY	MOVABLE SPRING	9
94V-0		PBT	BASE	8
		STAINLESS	HINGE SPRING	7
	NIP	STEEL	ARMATURE	6
	NIP	STEEL	CORE	5
	NIP	STEEL	YOKE	4
	SOLDER DIP	Cu ALLOY	COIL TERMINAL B	3
	SOLDER DIP	Cu ALLOY	COIL TERMINAL A	2
94V-0		PBT	BOBBIN	1
INCOMBUSTIBILITY	TREATMENT	MATERIAL	DESCRIPTION	TEM

THIS DRAWING IS A CONTROLLED DOCUMENT FOR TYCO ELECTRONICS CORPORATION IT IS SUBJECT TO CHANGE AND THE CONTROLLING ENGINEERING ORGANIZATION SHOULD BE CONTACTED FOR THE LATEST REVISION.		DWN	 Tyco Electronics Corporation Shenzhen, China		
DIMENSIONS: mm		CHK			
		APVD	NAME		
TOLERANCES UNLESS OTHERWISE SPECIFIED:		PRODUCT SPEC	PCJ SPEC ,301Y		
0 PLC ±		APPLICATION SPEC	SIZE	CAGE CODE	DRAWING NO
1 PLC ±		WEIGHT	A3	00779	©- 1721142
2 PLC ±		CUSTOMER DRAWING	RESTRICTED TO		
3 PLC ±			SCALE 5:1 SHEET 2 OF 2 REV A		
4 PLC ±					
ANGLES					
FINISH					