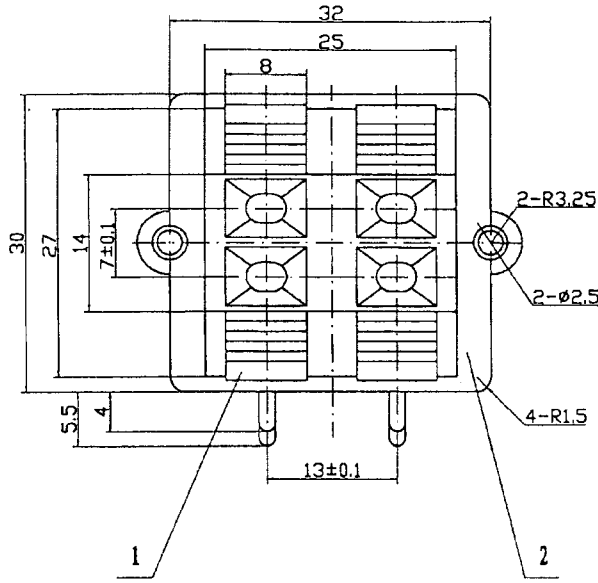
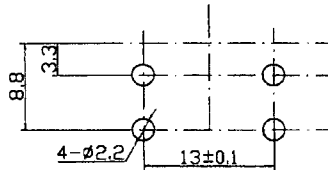


AVK 8 3.661.403

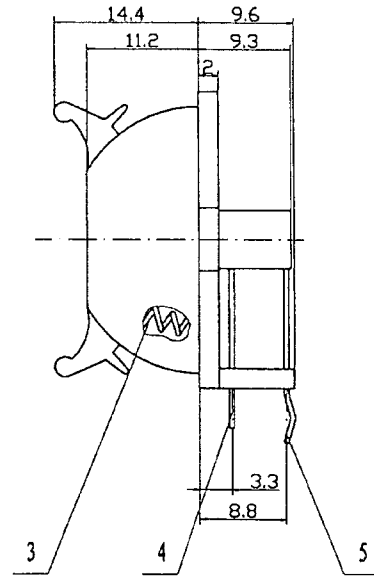
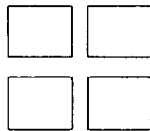


Dimensions of PC board holes (commend)

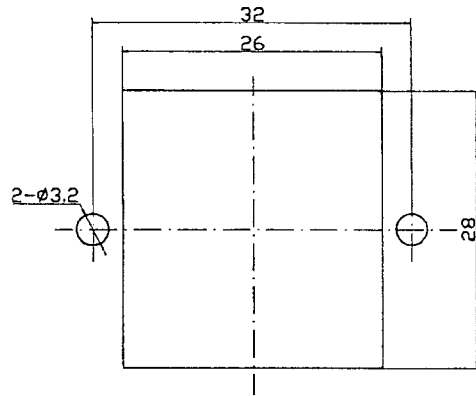
Bottom View ⊙



Color layout



Back Installing Plate Hole



Technical requirement:

1. This product should meet EU RoHS related requirement.
2. The surface of plastic part should be without any crackle such as burr, lack, and so on phenomenon.
3. The surface of metal part should be without any defect such as scour, nick, oxidation and plating problem.
4. The electronic performance should be the same as spec.
5. The un-specified tolerance is :
 $0 \sim 6 \pm 0.1$
 $6 \sim 20 \pm 0.2$
 $> 20 \pm 0.3$

No:	Name	QTY	Material	Coat Cladding Material
5	Contact Piece (L)	2	H62 Brass t=0.3	D. CuSn
4	Contact Piece (S)	2	H62 Brass t=0.3	D. CuSn
3	Spring	4	Carbonic string wire $\phi=0.5$	D. Zn
2	Base	1	ABS (Black) 94HB	---
1	Push Button	4	ABS 94HB	---

Number of Old Base Map

Number of Base Map

Sign	Place Number	Changed document number	Signer	Date
Designer	Xueqin Cui	Standardization		
Check	Yazhou Gao	Approved	Xiufeng Bao	
Proofreader	Lixin Zhou			
Process		Date	2006.1.6	

PT-403

Push Terminal

Design Mark Weight Scale

A 1.5:1

Total 1 Page Page 1

