

F

E

D

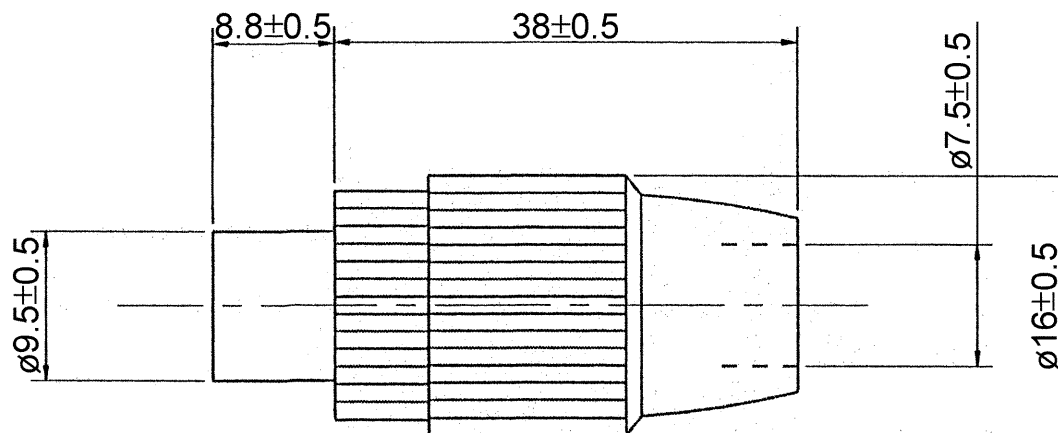
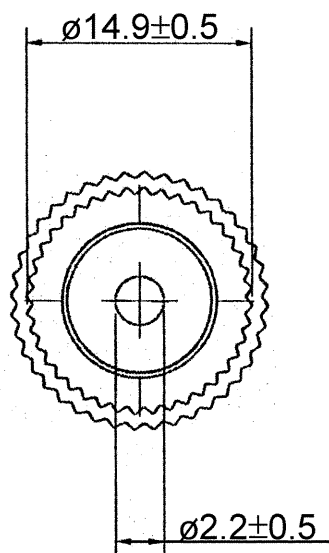
C

B

A

RoHS STANDARD

Drawing For Reference Only



Technical requirement :

- 1 . This product should meet EU RoHS related requirement.
- 2 . The surface of plastic part should be without any crackle such as burr,lack,and so on phenomenon.
- 3 . The surface of metal part should be without any defect such as scaur,nick,oxidation and plating problem.
- 4 . The electronic performance should be the same as spec.
- 5 . The un-specified tolerance is : $0 \sim 1.5 \pm 0.1$
 $1.5 \sim 20 \pm 0.2$

Specifications :

Contact Resistance : 30m ohm max.
 Insulation Resistance : 100M ohm min. at DC 500V
 Dielectric Strength : 500V for one minute.

DCI DRAGON CITY INDUSTRIES LIMITED

DESIGN	K.W LAW	REMARK		SCALE	
DRAWING	W.K YEUNG	REMARK		MATERIAL	
CHECK	K.L WONG	REMARK		DWG. NO.	71210-0920
APPROVAL	K.W CHAN	REMARK		SHEET	

PART NAME

TV PLUG MALE

TOLERANCE : \pm

PART NO.

TV-413-EN

UNIT: MM

F

E

D

C

B

A