

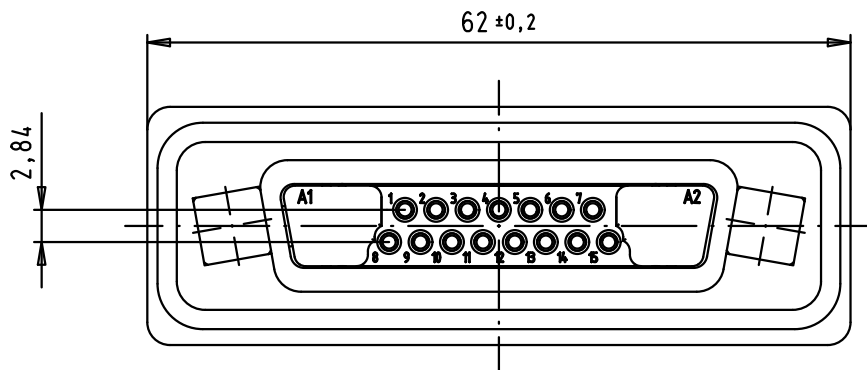
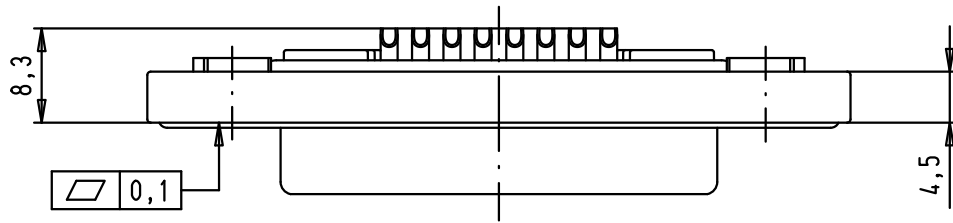
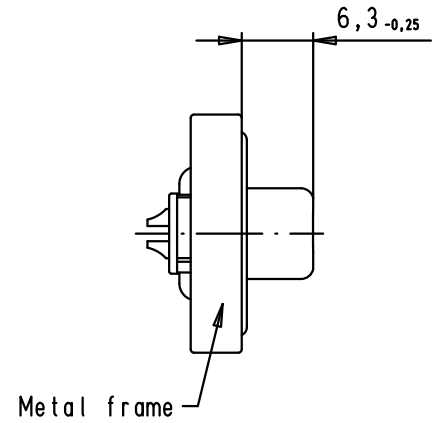
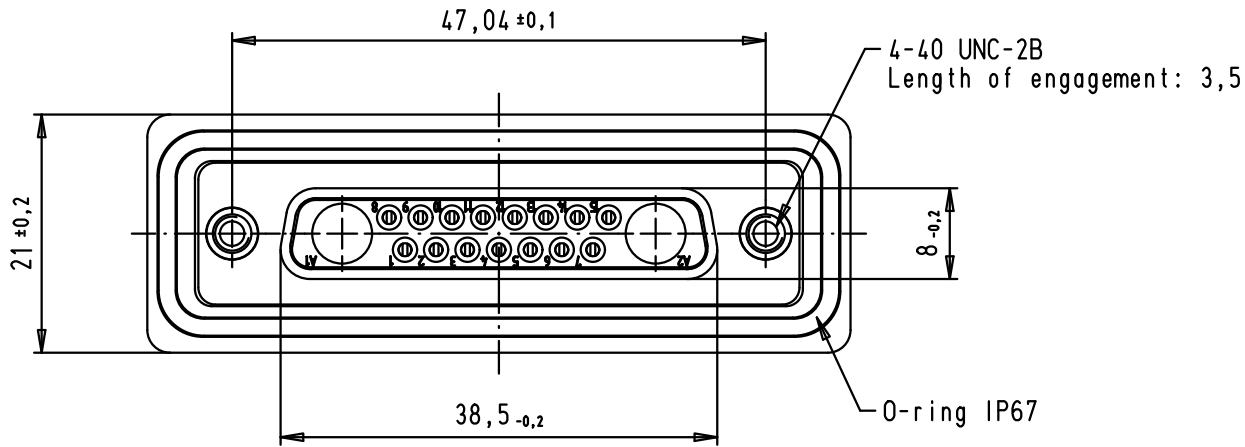
5

4

3

2

1



Wire size : AWG 20

A

				Det.	Name	 All Dim. in mm Orig. Size DIN A 4	D-Sub, 17W2, female, straight, solder buckets, rear metal frame, tin plated shell with clinch nuts, O-ring, waterproof IP67	Maßstab/ Scale 1,5:1
			Detail.	17/04/09	PK			
			Insp.					
			Stand.					
							TB 09 69 390 9015	Blatt/ Page 1 / 1
09 69 390 9015	0,76 µm Au	EC00329	17/04/09	PK	HARTING EURL F-95972 Paris			
Part number	Performance level	Mod.	Det.	Name	Sub.			

09 69 390 9015

0,76 µm Au

Part number

Performance level

EC00329

17/04/09

PK

Mod.

Det.

Name

HARTING EURL
F-95972 Paris



TB 09 69 390 9015

Sub.

Blatt/ Page
1 / 1

Mouser Electronics

Authorized Distributor

Click to View Pricing, Inventory, Delivery & Lifecycle Information:

[HARTING:](#)

[09693909015](#)