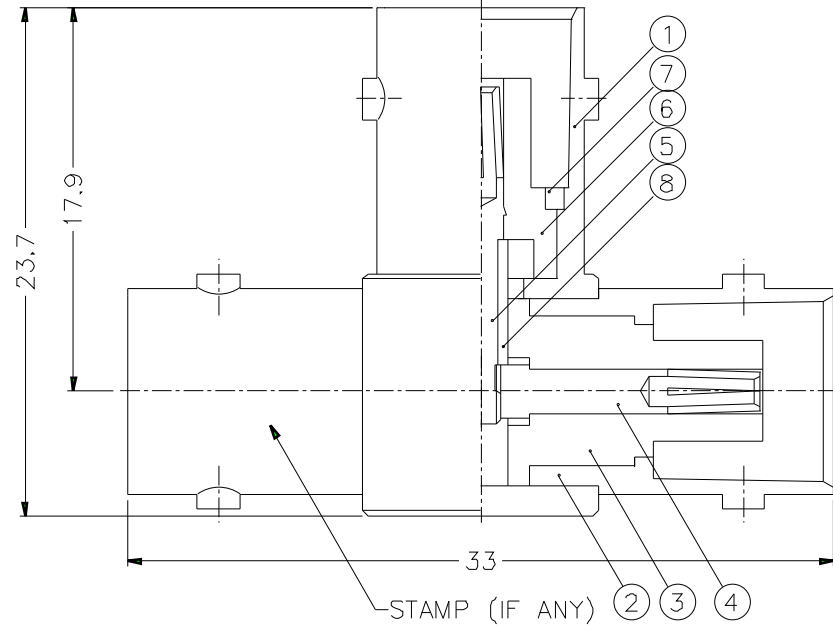


| | | | | | | | | | | | | | | | | | | | | | | | |
|-----------|------|------------------------------|---|--|--|---|--|--|---|--|--|---|--|--|---|--|--|---|--|--|---|--|--|
| 1 | | | 2 | | | 3 | | | 4 | | | 5 | | | 6 | | | 7 | | | 8 | | |
| REVISIONS | | | | | | | | | | | | | | | | | | | | | | | |
| ISS | ZONE | DESCRIPTION\PER REQUEST\DATE | | | | | | | | | | | | | | | | | | | | | |
| | | | | | | | | | | | | | | | | | | | | | | | |



NOTES: FINISH (PLATING THICKNESS IN MICRO-INCHES)

1. BRASS PER QQ-B-626
2. BRASS PER QQ-B-613
3. PHOSPHOR BRONZE PER QQ-B-750
4. NICKEL PL. 100 MIN. THICK OVER COPPER STRIKE
5. GOLD PL. 3 MIN. THICK OVER NICKEL PL. 100 MIN. THICK OVER COPPER STRIKE

| | | | | | | | | | | | | | | |
|-----|-------------|----------|---------|------|--------------|--|-----|-------|----------|-----------------|-----------|-----------------|--------------------|--|
| 8 | SLEEVE | DELRIN | NATURAL | 1 | SL-25/17X6 | DIMENSIONS ARE IN MILLIMETERS | | | PART NO. | B8073A1-ND3G-50 | | Amphenol | | |
| 7 | LOCK RING | NOTE 2 | NOTE 4 | 1 | B7700-4 | UNLESS OTHERWISE SPECIFIED TOLERANCES 0.5-6 = ±0.2 6-30 = ±0.4 30-120 = ±0.6 120-315 = ±1 315-1000 = ±1.6 1000-2000 = ±2.4 | | | APPROVED | DATE | 10-11-01' | | | |
| 6 | INSULATOR | DELRIN | NATURAL | 1 | B8073A1-6-50 | | | | CHECKED | DATE | 10-11-01' | DRAWING NO. | KJ-B8073A1-ND3G-50 | |
| 5 | CONTACT PIN | NOTE 3 | NOTE 5 | 1 | B8073A1-5 | | | | DRAWN | DATE | 10-11-01' | ITEM NO. | | |
| 4 | CONTACT PIN | NOTE 3 | NOTE 5 | 1 | B7996-5 | | | | | | | | | |
| 3 | INSULATOR | DELRIN | NATURAL | 2 | B9073A1-4-50 | | | | | | | | | |
| 2 | BODY | NOTE 1 | NOTE 4 | 2 | B9073A1-3 | | | | | | | | | |
| 1 | HOUSING | NOTE 1 | NOTE 4 | 1 | B7995-1 | | | | | | | | | |
| NO. | DESCRIPTION | MATERIAL | FINISH | Q'TY | DRAWING NO. | SCALE | 3/1 | ISSUE | A | FILE NO. | | | | |

1 2 3 4 5 6 7 8