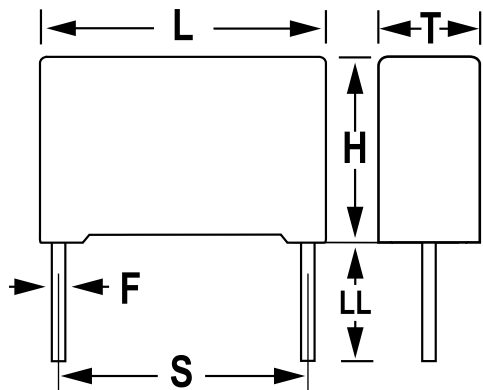


KEMET Part Number: PHE845VR6680MR06L2
(F845RM684M760Z, PHE845VR6680MR03R06L2)

PHE845/F845, Film, Metallized Polypropylene, Safety, 0.68 uF, 20%, 760 VAC (X1), 1500 VDC, 105°C, Lead Spacing = 37.5mm



Dimensions

L	41mm MAX
H	36mm MAX
T	19mm MAX
S	37.5mm +/-0.5mm
LL	6mm -1mm
F	1mm NOM

Packaging Specifications

Packaging:	Pizza, Box
Packaging Quantity:	91

General Information

Supplier:	KEMET
Series:	PHE845/F845
Dielectric:	Metallized Polypropylene
Style:	Radial
Features:	EMI Safety
RoHS:	Yes
Lead:	Wire Leads
Qualifications:	ENEC, UL, cUL

Specifications

Capacitance:	0.68 uF
Capacitance Tolerance:	20%
Voltage AC:	760 VAC (X1)
Voltage DC:	1500 VDC
Temperature Range:	-40/+105C
Rated Temperature:	105°C
Dissipation Factor:	0.10% 1kHz, 0.40% 10kHz
Insulation Resistance:	14.7059 GOhms
Max dV/dt:	100 V/us
Safety Class:	X1