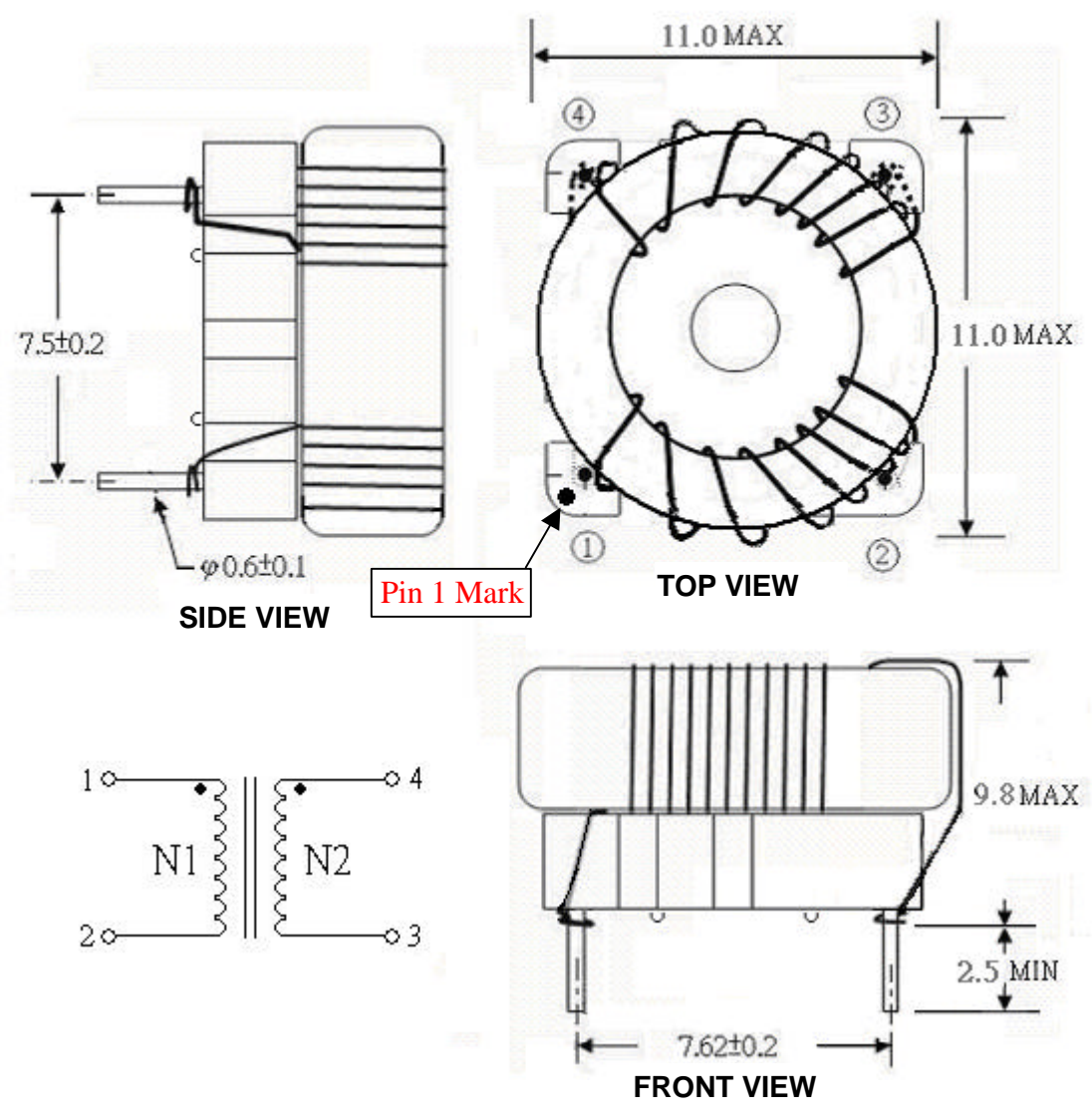


TCK-048



All dimensions in mm

SPECIFICATIONS		Common Mode Choke TCK-048	
Inductance	Pin 1-2: 450µH ±35%	Pin 3-4: 450µH ±35%	
	Test Condition: 100KHz/100mV Measurement Instrument: HP 4263B LCR Meter		
Impedance	DCR(Max): 25mΩ		
	Measurement Instrument: HIOKI 3540 mΩ HITESTER		
Rated Current	IDC(Max): 5.2A		
	Measurement Instrument: Agilent 34401A Meter		
Recommended Through Hole	? 0.8 mm		