

QPL QUALIFIED

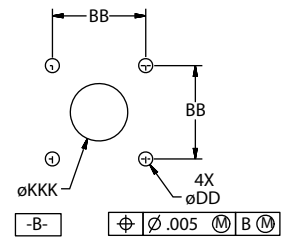
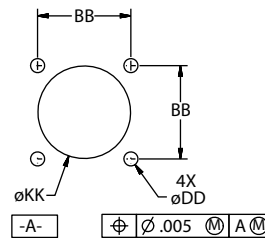
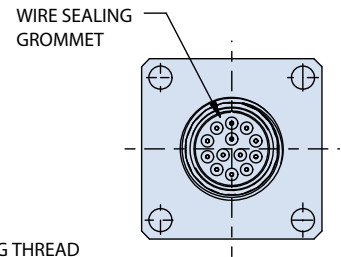
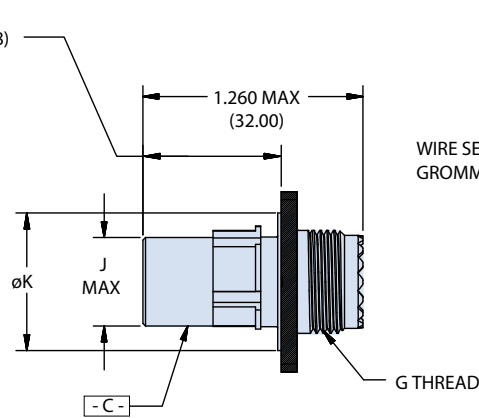
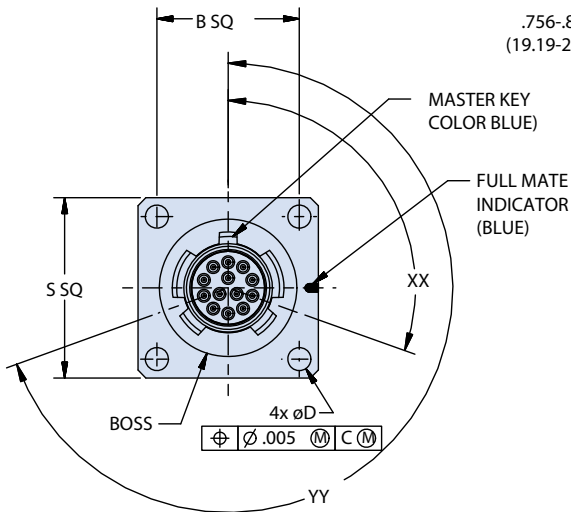
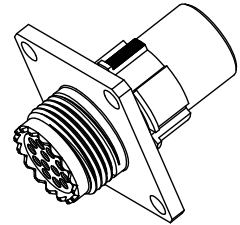
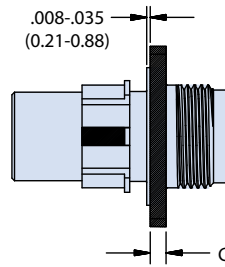
MIL-DTL-38999 Series IV, Breech Coupling

38999/40 wall mount receptacle with rear release crimp contacts



SERIES IV ENVIRONMENTAL

QPL Part Number Development						
Sample Part Number	D38999/40	W	J	30	P	N
MIL-DTL-38999	38999/40 = Wall mount receptacle					
Class	F = Environmental, aluminum, electroless nickel, conductive, -65°C to +200°C W = Environmental, aluminum, cadmium olive drab, conductive, -65°C to +175°C G = Environmental, aluminum, electroless nickel, conductive, -65°C to +200°C (space-grade)					
Shell Size	B, C, D, E, F, G, H, J					
Insert Arrangement	Per MIL-STD-1560; See reference information section for details					
Contact Style	P = Pin Insert A = Pin Gender, Less Contacts S = Socket Insert B = Socket Gender, Less Contacts					
Polarization	N (Normal), A, B, C, D, K, L, M, R; see polarization positions table					



Polarization Position									
	N	A	B	C	D	K	L	M	R
XX	110°	100°	90°	80°	70°	120°	120°	120°	120°
YY	250°	260°	270°	280°	290°	255°	265°	275°	285°

Recommended panel cutout
 .125 max panel thickness
 rear panel mount

Recommended panel cutout
 .125 max panel thickness
 front panel mount

COTS EQUIVALENT MIL-DTL-38999 Series IV, Breech Coupling



234-105-40 wall mount receptacle with rear release crimp contacts

SERIES IV ENVIRONMENTAL

COTS Part Number Development						
Sample Part Number	234-105-40	NF	11	-35	P	N
Series / Basic Part No.	234-105-40 = Environmental, wall mount environmental receptacle					
Material/Finish	ME = Aluminum, electroless nickel, conductive, -65°C to +200°C NF = Aluminum, cadmium olive drab, conductive, -65°C to +175°C MA† = Aluminum, electroless nickel, conductive, -65°C to +200°C (space-grade)					
Shell Size	11, 13, 15, 17, 19, 21, 23, 25					
Insert Arrangement	Per MIL-STD-1560; See reference information section for details					
Contact Style	P = Pin Insert A = Pin Gender, Less Contacts S = Socket Insert B = Socket Gender, Less Contacts					
Polarization	N (Normal), A, B, C, D, K, L, M, R; see polarization position position table					

† Connectors must be ordered with "MA" finish and modification code "-186T" to conform to the thermal vacuum outgassing requirements of Class G. Additional material/finish options are available, consult factory for ordering information.

Dimensions								
Shell Size	Shell Size Code	B BSC	C	ØD	G Thread 1.0-6g 0.100R	ØJ MAX	ØK	S
11	B	.812 (20.62)	.102 (2.59) .083 (2.11)	.138 (3.51) .122 (3.10)	M15	.509 (12.93)	.793 (20.14) .778 (19.76)	1.051 (26.70) 1.008 (25.60)
13	C	.906 (23.01)			M18	.634 (16.10)	.913 (23.19) .904 (22.96)	1.146 (29.11) 1.102 (27.99)
15	D	.969 (24.61)			M22	.759 (19.28)	1.044 (26.52) 1.029 (26.14)	1.240 (31.50) 1.197 (30.40)
17	E	1.062 (26.97)			M25	.885 (22.48)	1.170 (29.72) 1.155 (29.34)	1.335 (33.91) 1.291 (32.79)
19	F	1.156 (29.36)			M28	1.009 (25.63)	1.294 (32.87) 1.279 (32.49)	1.461 (37.11) 1.417 (35.99)
21	G	1.250 (31.75)	.134 (3.40) .114 (2.90)	.157 (3.99) .142 (3.61)	M31	1.134 (28.80)	1.419 (36.04) 1.404 (35.66)	1.583 (40.21) 1.539 (39.09)
23	H	1.375 (34.92)			M34	1.259 (31.98)	1.544 (39.22) 1.529 (38.84)	1.709 (43.41) 1.665 (42.29)
25	J	1.500 (38.10)			M37	1.384 (35.15)	1.669 (42.39) 1.654 (42.01)	1.835 (46.61) 1.791 (45.49)

Panel Cut-Out Dimensions					
Shell Size	Shell Size Code	Rear Panel Mount ØKK	Front Panel Mount ØKKK	BB Bsc	ØDD
11	B	.796 (20.22)	.625 (15.88)	.812 (20.62)	.133 (3.38) .123 (3.12)
13	C	.922 (23.42)	.750 (19.05)	.906 (23.01)	
15	D	1.047 (26.59)	.906 (23.01)	.969 (24.61)	
17	E	1.219 (30.96)	1.016 (25.81)	1.062 (26.97)	
19	F	1.297 (32.94)	1.141 (28.98)	1.156 (29.36)	
21	G	1.422 (36.12)	1.266 (32.16)	1.250 (31.75)	.159 (4.04) .149 (3.78)
23	H	1.547 (39.29)	1.375 (34.92)	1.375 (34.92)	
25	J	1.672 (42.47)	1.484 (37.69)	1.500 (38.10)	

Additional Material/Finish Options	
Finish Code	Description
G2	Aluminum, anodize, hardcoat
ZR	Aluminum, zinc nickel, black (tri-valent cr)
MT	Aluminum, nickel PTFE
MA†	Aluminum, electroless nickel (space-grade)
ZL‡	Stainless steel, electro-deposited nickel
Z1‡	Stainless steel, passivated

‡ Available in receptacle only, not firewall rated.

Mouser Electronics

Authorized Distributor

Click to View Pricing, Inventory, Delivery & Lifecycle Information:

[Glenair:](#)

[D38999/40FJ35SC](#) [D38999/40WB5PC](#) [D38999/40WC4PN](#) [D38999/40WE6PN](#) [D38999/40WG16SN](#)
[D38999/40WH21SN](#) [D38999/40WJ35PN](#) [D38999/40WJ35SA](#)