

Mini installation beacon / Beacon Multicolour

MC55 RGY Cable 24VDC



Part No.: 240.210.55



MECHANICAL DATA	
Height	71 mm
Diameter	55 mm
Materials	PC PC/ABS
Dome colour	Clear
Housing colour	Black
Protection category	IP65
Connection	Cable
Cable length	1450 mm
Tension relief	Pull-out protection
Type of fixing	Built-in mounting
Service life optical	50,000 h maximum
Working temperature minimum	-20°C
Working temperature maximum	+50°C
Weight with packaging	105 g
Product weight	105 g

ELECTRICAL DATA	
Operating voltage	24V
Operating voltage type	DC
Operating voltage tolerance	+/- 10%
Rated operational voltage	24 VDC
Rated operational current	45 mA
Rated inrush current	<150mA
Protection class	Protection class 2
Pollution degree	3 In the connection area: 2

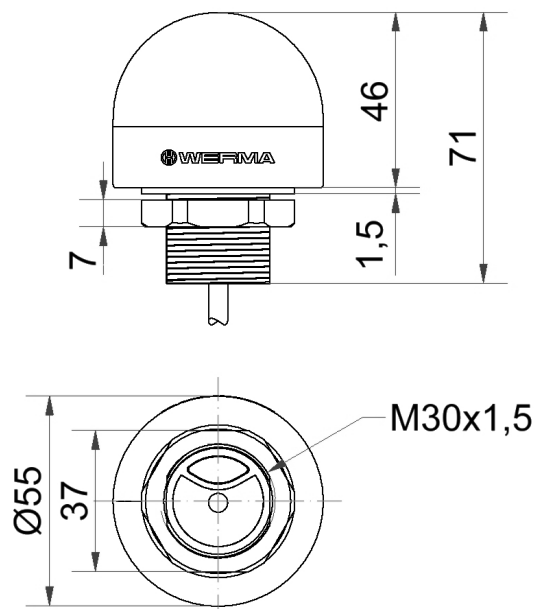
OPTICAL DATA	
Light source	LED
Light colour	MC 3 colours
Optical signal image	Permanent

! For additional installation and mounting information, refer to the appropriate user guide at www.werma.com. This printed copy is for information only and is subject to alteration.

Mini installation beacon / Beacon Multicolour

MC55 RGY Cable 24VDC

DRAWING



For additional installation and mounting information, refer to the appropriate user guide at www.werma.com. This printed copy is for information only and is subject to alteration.