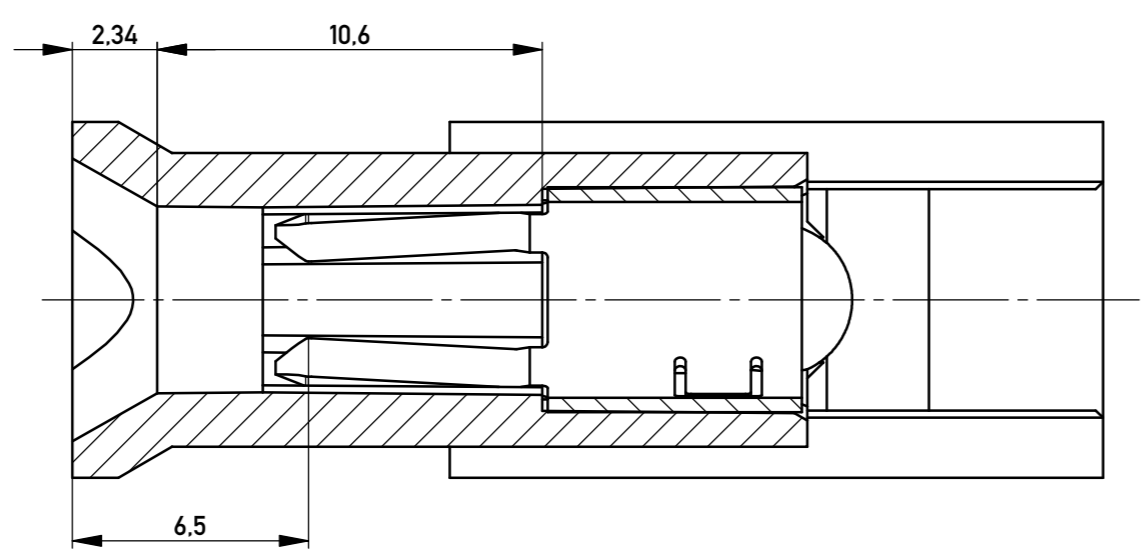
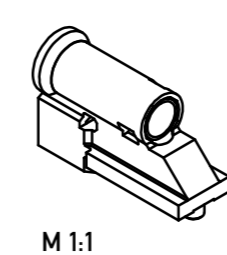
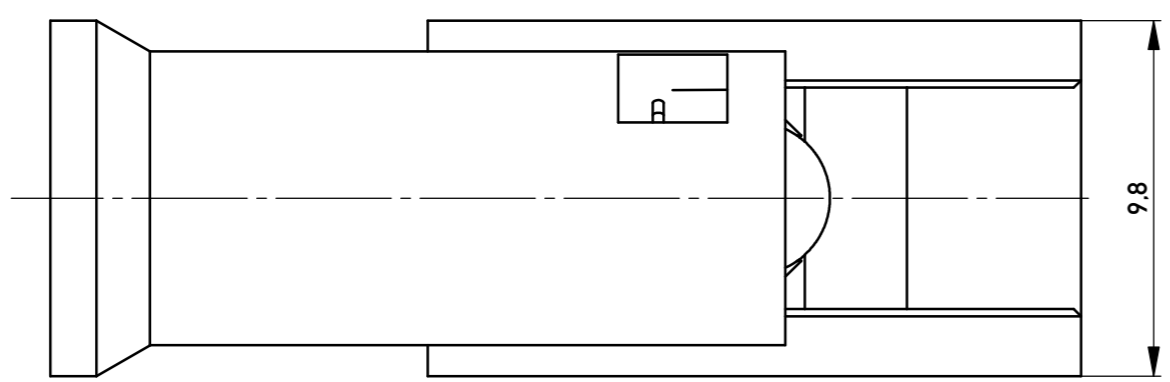
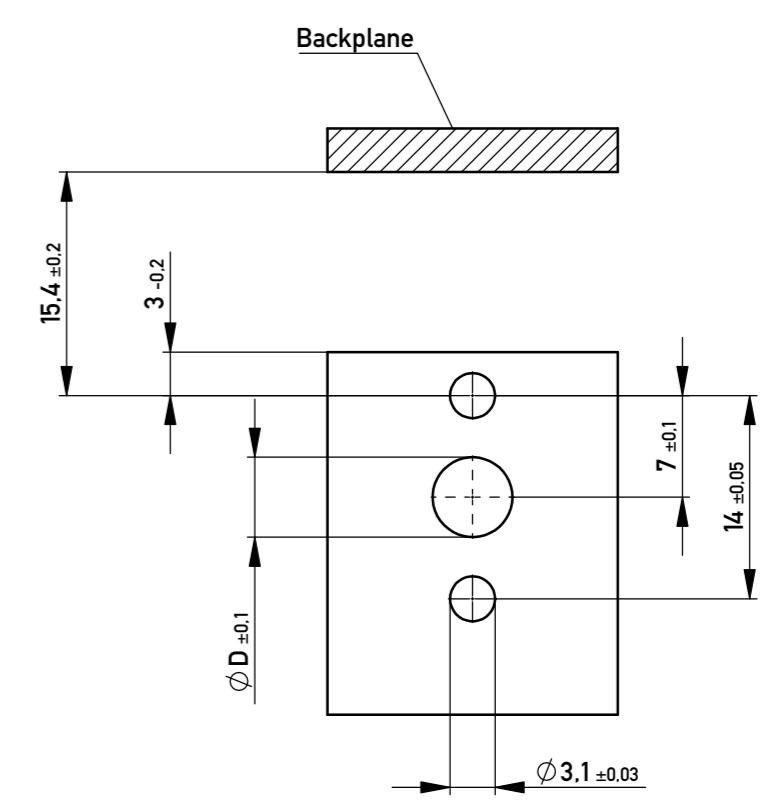


Layout der Tochterkarte - *Layout of daughtercard*



Schraube nicht mitgeliefert
Lieferung im Karton als Schüttgut

144638	M5	5.2	
144641	M4	4.2	
Ident.-Nr.	Gewinde	Bohrung D	

Information:		Tolerances	Scale 5:1
All rights reserved. Only for Information. To ensure that this is the latest version of this drawing, please contact one of the ERNI companies before using.		All Dimensions in mm	
Subject to modification without prior notice. Drawing will not be updated.		Designation	
ERNI www.ERNI.com		Führungsteil mit Federkontakt Guiding System ERmet	
c	02.08.2016	144640	
Index	Date	1 A2	
Class		ERMBGR	

Mouser Electronics

Authorized Distributor

Click to View Pricing, Inventory, Delivery & Lifecycle Information:

[TE Connectivity:](#)

[144641](#) [144641-E](#)