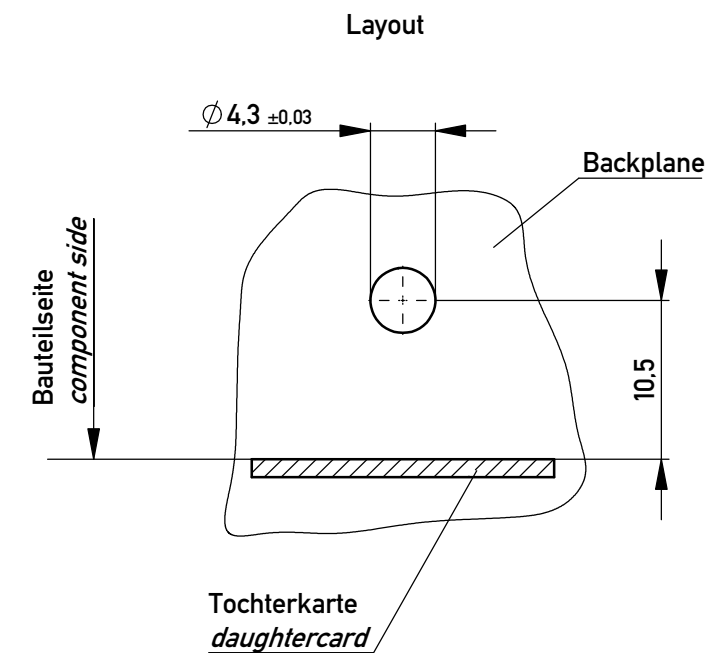


Schnorrscheibe S 4 rostfrei
"schnorr" washer

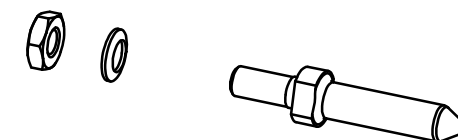
1) Sechskantmutter rostfrei ISO 4035 - M4
nut

1) maximales Anzugsmoment: 70 Ncm
max. torque: 70 Ncm

Bausatz in Polybeutel verpackt
kit packed in plastic bag



M 1:1



144371	12	6 - 8	144078
144370	9.7	2.5 - 6	134733
Ident-Nr. / ld. no.	A	LP-Dicke / board thickness	Stift-Ident-Nr. / pin no.

Information:		Tolerances	All Dimensions in mm	Scale 2:1
All rights reserved. Only for Information. To ensure that this is the latest version of this drawing, please contact one of the ERNI companies before using.		Subject to modification without prior notice. Drawing will not be updated.		Designation Führungsbolzen Bausatz ERmet Guiding System
www.ERNI.com		144369		1 A3
d	14.03.2017	Class ERMBGR		
Index	Date			

Copyright by ERNI Production GmbH & Co. KG
Proprietary notice pursuant to ISO 16016 to be observed.

Mouser Electronics

Authorized Distributor

Click to View Pricing, Inventory, Delivery & Lifecycle Information:

[TE Connectivity:](#)

[144370](#) [144371](#) [144370-E](#)