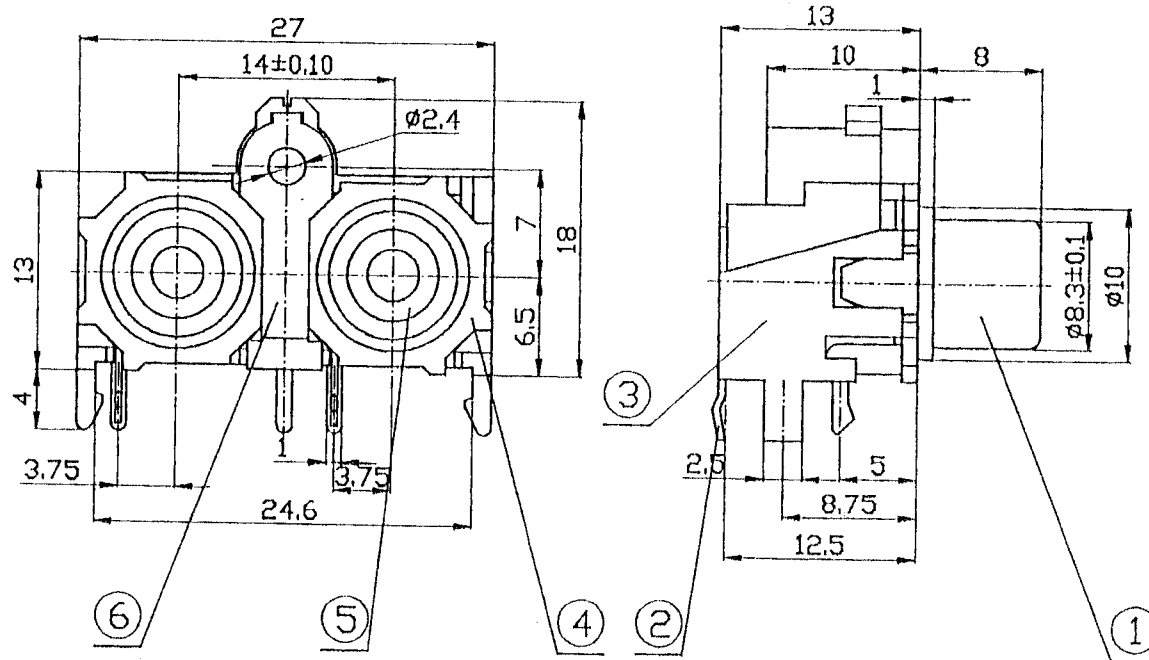
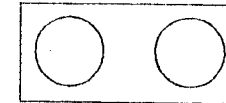


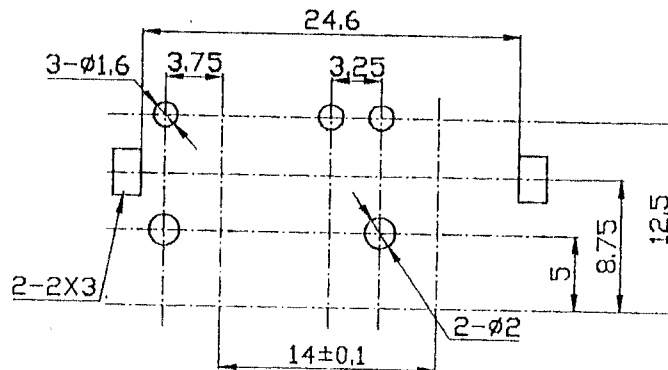
AVK : 3.662.214BC



Color layout



Dimensions of PC board holes



Note: Unspecified tolerance is: 0-6 ± 0.1  
6-20 ± 0.2  
>20 ± 0.3

No:	Name	QTY	Material	Coat Cladding Material
6.	Barth Line	1	QSn6.5-0.1 t=0.3	D. Cu/Sn
5.	Washer	2	ABS Resin 94HB	---
4.	Cover	1	ABS Resin 94HB	---
3.	Base	1	ABS Resin 94HB	---
2.	Connect Needle	2	QSn6.5-0.1 t=0.4	D. Cu/Sn
1.	Outer Conductor	2	Brass H65 t=0.4	D. Cu/Sn

Number of Old Base Map

Number of Base Map

Date Signer

Sign Number	Place	Changed document number	Signer	Date
Designer	Xuran Yan	Standardization	Chengzhiping	
Verifier		Approved		
Verifier				
Technology	Higashia	Date	2002.12.17	

RS-234  
2P RCA JACK

Design Mark	Weight	Proportion
A B		2:1
1 piece together		the first piece

