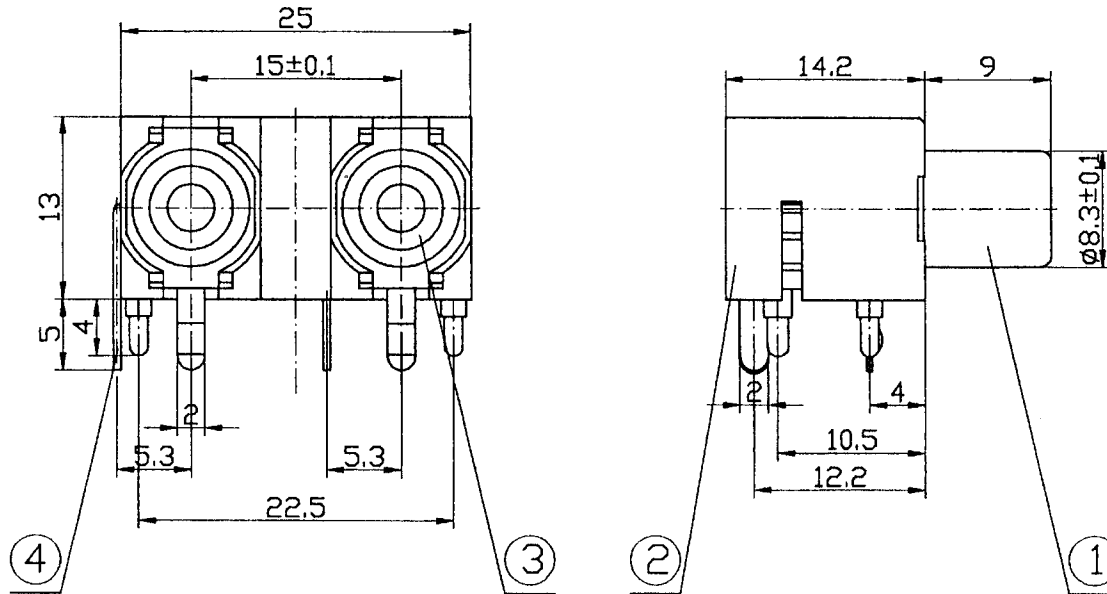
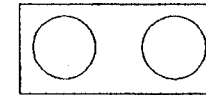


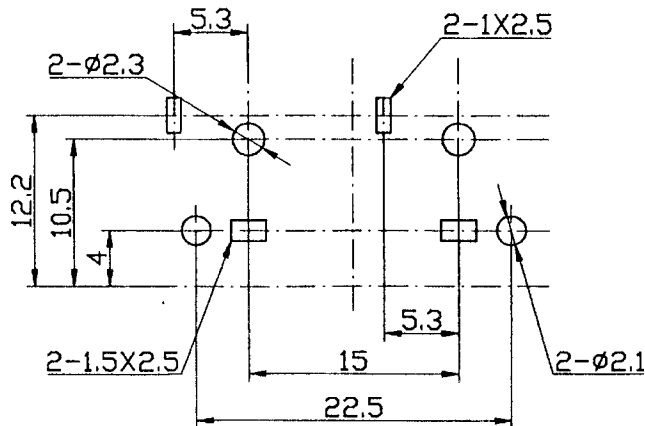
AVX 3.663.212



Color layout



Dimensions of PC board holes



Specification of AV pin jack board

1. Condition:
Temperature: -40~+70° C
Humidity: 95% (40° C)
2. Rated Load: DC50V 0.5A
3. Contact Resistance: < 0.03Ω
4. Insulation Resistance: > 100MΩ
5. Withstand Voltage: AC500V (50Hz) min
6. Insertion and Extraction Force: 15 - 30N
7. Life: 10000times

No:	Name	QTY	Material	Coat Cladding Material
4.	Pincer Needle	2	QSn6.5-0.1 t=0.3mm	D. Ag
3.	Washer	2	ABS	—
2.	Base	1	ABS (Black)	—
1.	Outer Conductor	2	Brass H65 t=0.4mm	D. Cu/Sn

Number of Old Base Map

Number of Base Map

Date Signer

RS-212				2P RCA JACK	
Sign	Place	Changed document	Signer	Date	
	Number	number			
Designer	Xuran Wan	Standardization	Chaozhijun		Design Mark
Verifier	Han Dingyan	Approved	Baoxiufeng		Weight
Verifier	Zhou Lixin				Proportion
Technology	Gao Ya zhu	Date	2002.5.30		1.5:1
					1 piece together
					the first piece

