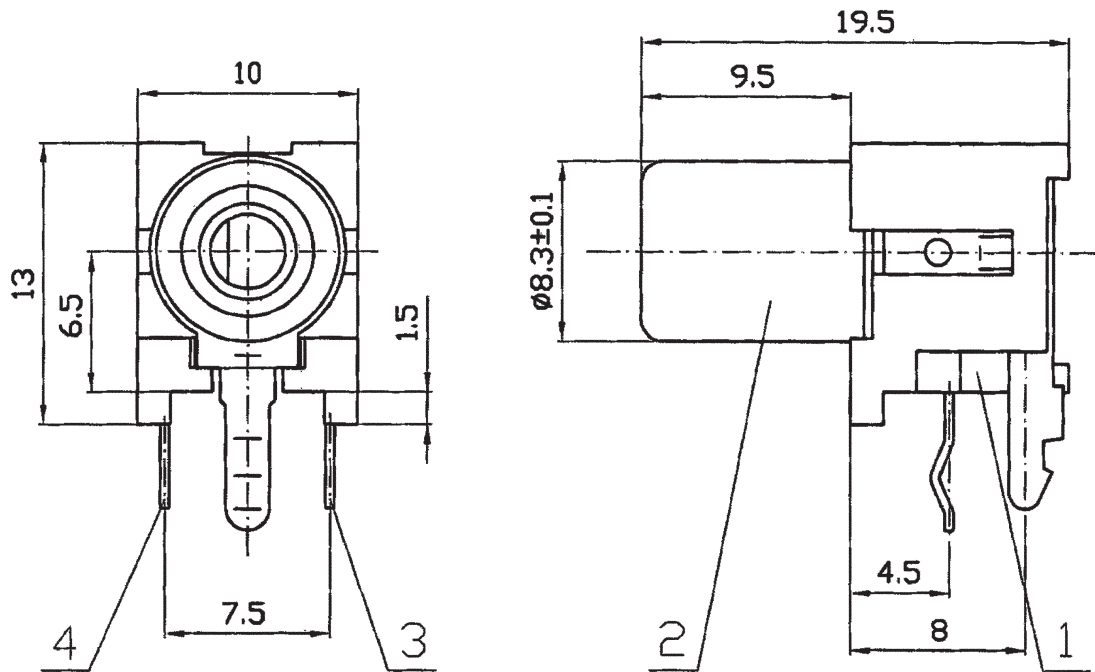
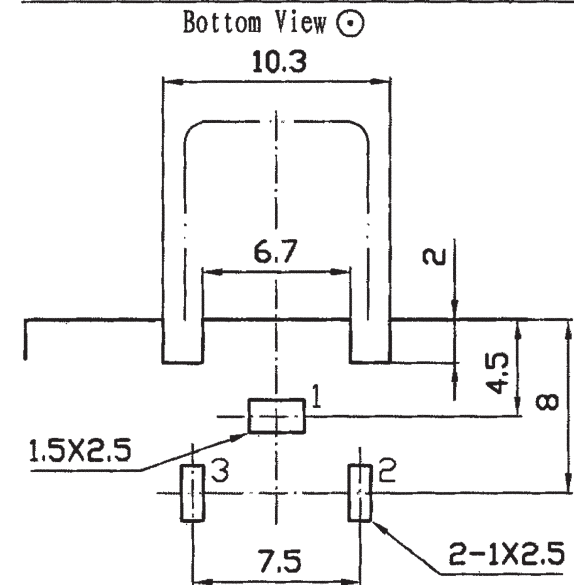


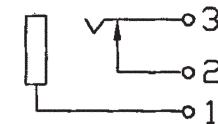
RoHS
Compliant
Drawing For
Reference Only



Dimensions of PC board holes (Commend)



Circuit Diagram



Color layout



Technical requirement :

1. This product should meet EU RoHS related requirement.
2. The surface of plastic part should be without any crackle such as burr, lack, and so on phenomenon.
3. The surface of metal part should be without any defect such as scaur, nick, oxidation and plating problem.
4. The electronic performance should be the same as spec.
5. The un-specified tolerance is : <math><6\pm 0.1</math>
 6~20±0.2
 >20±0.3

4	Base	1	ABS	----
3	Break Contact	1	H62 Brass t=0.4	NiAg
2	Tip Contact	1	QSn6.5-0.1 t=0.4	NiAg
1	Outer Conductor	1	H65 Brass t=0.4	CuSn
No.	Name	QTY	Material	Plating

DCI DRAGON CITY INDUSTRIES LIMITED			Design	K.W Law	Remark	Scale	
			Drawing	W.K Yeung	Remark	Material	
Item Name	1P RCA Jack Board	Tolerance :	Check	K.L Wong	Remark	Dwg No.	90226-1156
Item No.	RS-105A	Unit : mm	Approval	K.W Chan	Remark	Sheet	