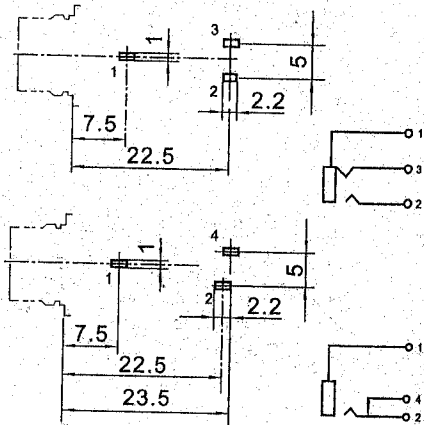
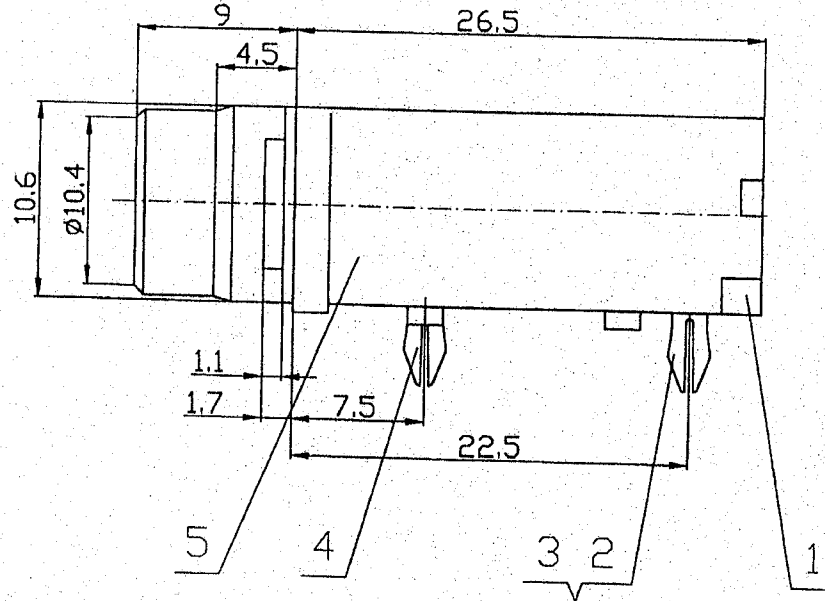


Dimensions of PC board holes (Command)  
Bottom View ⊙



ST-008G-04

ST-008G-05

**Technical requirement:**

1. This product should meet EU RoHS related requirement.
2. The surface of plastic part should be without any crackle such as burr, lack, and so on phenomenon.
3. The surface of metal part should be without any defect such as scour, nick, oxidation and plating problem.
4. The electronic performance should be the same as spec.
5. The un-specified tolerance is : 0~6±0.1  
6~20±0.2  
>20±0.3

No.	Name	QTY	Material	Coat Cladding Material
6	Outer Conductor	1	H59 Brass	D. Au
5	Base	1	ABS 94HB	—
4	1#Contact	1	QSn6.5-0.1 t=0.3	D. Ag
3	3#Contact	1	QSn6.5-0.1 t=0.3	D. Ag
2	2#Contact	1	QSn6.5-0.1 t=0.3	D. Ag
1	Back Lip	1	ABS 94HB	—

Number of Old Base Map

Number of Base Map

Date Signer

Sign Number	Place Changed document number	Signer	Date
Designer	Xueqin Cui	Standardization	
Verifier	Yezhou Gao	Approved	Yifeng Bao
Verifier	Lixing Zhou		
Technology		Date	2006.2.19

**ST-008G  
6.35MM PHONE JACK**

Design Mark Weight Proportion

A 1:1  
1 piece together the first piece

