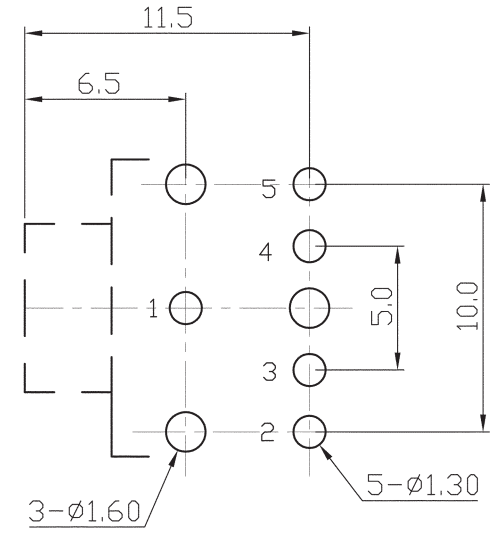
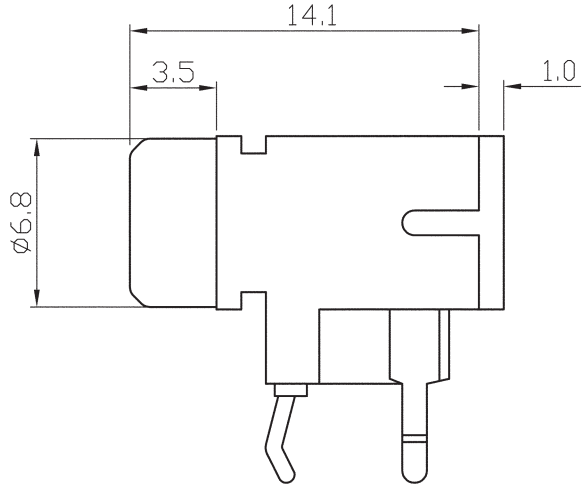
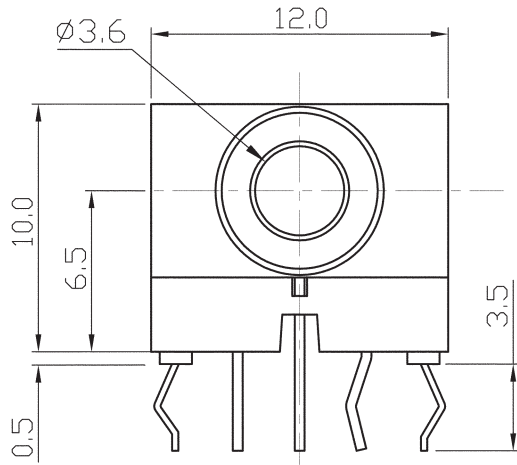


RoHS
Compliant
Drawing For
Reference Only



P.C.B.LAYOUT
(BOTTOM VIEW)

| SCHEMATIC | MODEL NO | ST-029-01 | ST-029-02 | ST-029-03 | ST-029-04 | ST-029-05 | ST-029-06 |
|-----------|----------|-----------|-----------|-----------|-----------|-----------|-----------|
| | | | | | | | |

Technical requirement :

1. This product should meet EU RoHS related requirement.
2. The surface of plastic part should be without any crackle such as burr,lack,and so on phenomenon.
3. The surface of metal part should be without any defect such as scaur,nick,oxidation and plating problem.
4. The electronic performance should be the same as spec.
5. The un-specified tolerance is : 6 ± 0.1
 6~20±0.2
 >20±0.3

| 7 | Housing | PBT | Black | 1 |
|------|-----------------|-----------------|------------|-----|
| 6 | Cover | PBT | Black | 1 |
| 5 | Tip Terminal | Phosphor Bronze | Tin Plated | 1 |
| 4 | TS Terminal | Brass | Tin Plated | 1 |
| 3 | RS Terminal | Brass | Tin Plated | 1 |
| 2 | Ring Terminal | Phosphor Bronze | Tin Plated | 1 |
| 1 | Sleeve Terminal | Brass | Tin Plated | 1 |
| Item | Name | Material | Finish | SUM |

| | | | | | | |
|---|-------------------|-------------|----------|-----------|--------|--------------------|
| DCI DRAGON CITY INDUSTRIES LIMITED | | | Design | K.W Law | Remark | Scale |
| | | | Drawing | W.K Yeung | Remark | Material |
| Item Name | 3.5mm Stereo Jack | Tolerance : | Check | K.L Wong | Remark | Dwg No. 80929-1210 |
| Item No. | ST-029 | Unit : mm | Approval | K.W Chan | Remark | Sheet |