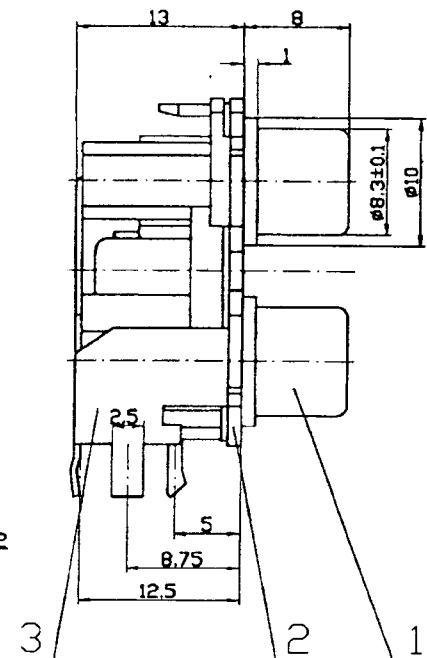
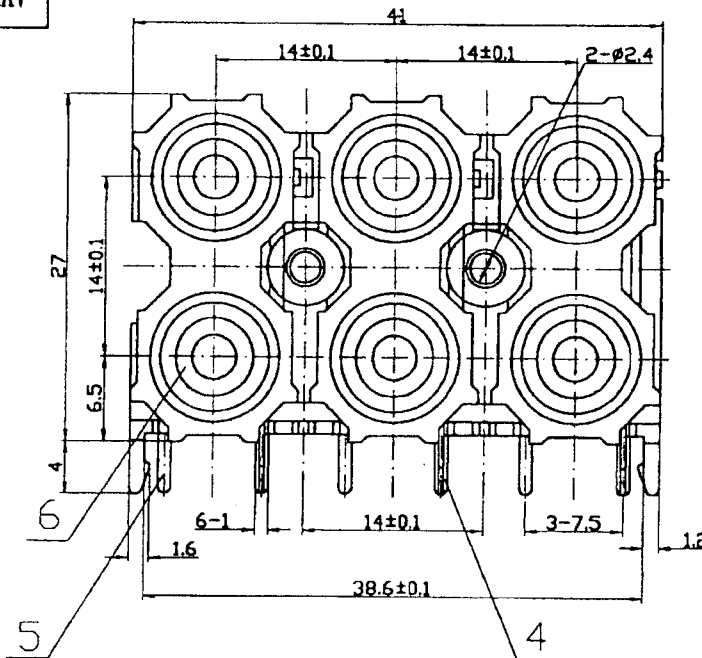
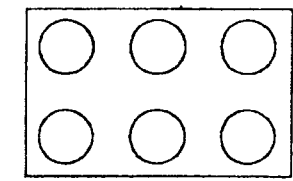


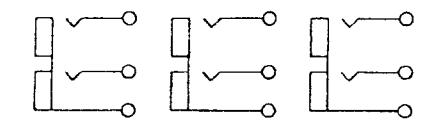
AVX 3.662.613



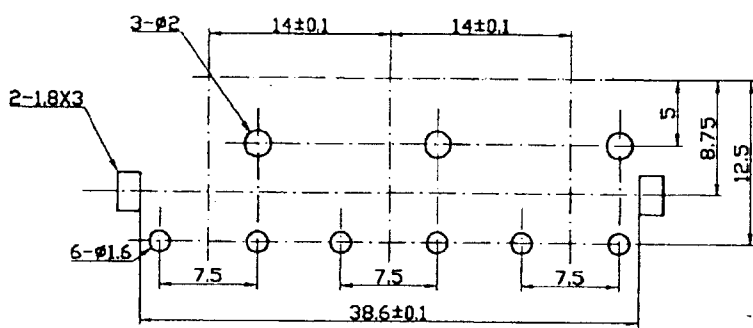
Color layout



Circuit Diagram



Dimensions of PC board holes (Comment)
Bottom View ⊙



6.	Washer	6	ABS 94HB	—
5.	Short Pincer Needle	3	QSn6.5-0.1 t=0.4	D. CuSn
4.	Long Pincer Needle	3	QSn6.5-0.1 t=0.4	D. CuSn
3.	Base	1	ABS 94HB	—
2.	Cover	3	ABS (Black) 94HB	—
1.	Outer Conductor	3	H65 Brass t=0.4	D. CuSn
No.	Name	QTY	Material	Coat Cladding Material

Technical requirement:

1. This product should meet EU RoHS related requirement.
2. The surface of plastic part should be without any crackle such as burr, lack, and so on phenomenon.
3. The surface of metal part should be without any defect such as scour, nick, oxidation and plating problem.
4. The electronic performance should be the same as spec.
5. The un-specified tolerance is : 0-6 ± 0.1
6-20 ± 0.2
>20 ± 0.3

Sign	Place	Changed document	Signor	Date
Designer	Ya Zhou Cao	Standardization		
Verifier	Meng Xian Yu	Approved	Xiu Feng Bao	
Verifier	Li Xie Zhou			
Technology		Date	2006.6.21	

RS-613		
6P RCA JACK		
Design Mark	Weight	Proportion
A		1.5:1
1 piece together		the first piece



Number of Old Base Map	
Number of Base Map	
Date	Signer