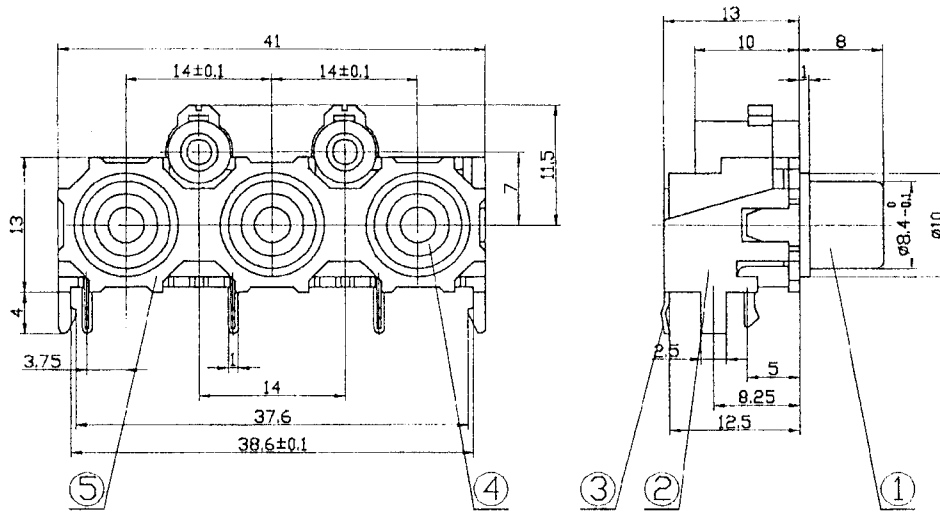


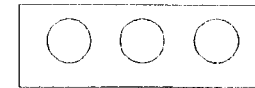
AVK 8 3.663.314



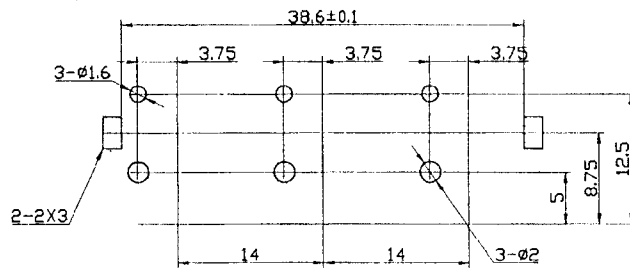
Circuit Diagram



Color layout



Dimensions of PC board holes



Specification of AV pin jack board

1. Condition:
Temperature: -40~+70° C
Humidity: 95% (40° C)
2. Rated Load: DC50V 0.5A
3. Contact Resistance: < 0.03Ω
4. Insulation Resistance: > 100MΩ
5. Withstand Voltage: AC500V (50Hz)min
6. Insertion and Extraction Force: 15~30N
7. Life: 10000times

No:	Name	QTY	Material	Coat Cladding Material
5.	Cover	1	ABS (Black)	—
4.	Washer	3	ABS	—
3.	Pincer Needle	1	QSn6.5-0.1 t=0.4mm	D. Ni/Sn
2.	Base	1	ABS (Black)	—
1.	Outer Conductor	1	Brass H65 t=0.4mm	D. Cu/Sn

Number of Old Base Map

Number of Base Map

Date Signer

Sign				Place		Changed document		Signer		Date	
Number	Number	Number	Number	Number	Number	Number	Number	Number	Number	Number	Number
Designer	Xuran Wan	Standardization		Approved	BaoXinfeng						
Verifier	HanSheng Yuan										
Verifier	Shou Lixin										
Technology	High Asia	Date	2002.5.30								

RS-314
3P RCA JACK

Design Mark	Weight	Proportion
A B		1.5:1
1 piece together		the first piece

