



# BRIGHT LED ELECTRONICS CORP.

## LED LAMPS SPECIFICATION

TOTAL PAGE: 7  
 PAGE: 1  
 REVISION: 1.2

- COMMODITY : T-1 3/4 Standard 1.0"Lead, 5  $\phi$  LED LAMP
- DEVICE NUMBER : BL-BZ43V4V

SHEET DATE	1	2	3	4	5	6	7				CONTENTS
2001.05.14	-	1.0	1.0	1.0	1.0	1.1					Initial Released
2001.06.28	1.0	1.1	-	-	1.1	-					Iv, BIN, Add PAGE 1
2001.07.10	1.1	-	-	-	1.2	-					Add BIN Remark
2001.09.14	1.2	1.2	-	-	-	-	1.0				Iv, Angle, Add Page 7

TOTAL PAGE	5	6	7																
------------	---	---	---	--	--	--	--	--	--	--	--	--	--	--	--	--	--	--	--

**佰鴻工業股份有限公司**

**BRIGHT LED ELECTRONICS CORP.**

台北縣板橋市和平路 19 號 3 樓  
 3F., No. 19, Ho Ping Road, Pan Chiao City,  
 Taipei, Taiwan, R. O. C.  
 Tel: 886-2-29591090  
 Fax: 886-2-29547006/29558809  
[www.brtled.com](http://www.brtled.com)

APPROVED	DRAWN

# BRIGHT LED ELECTRONICS CORP.

## LED LAMPS SPECIFICATION

●COMMODITY : T-1 3/4 1.0"Lead, 5  $\phi$

●DEVICE NUMBER : BL-BZ43V4V

PAGE: 2

●ELECTRICAL AND OPTICAL CHARACTERISTICS (Ta=25°C)

VERSION : 1.2

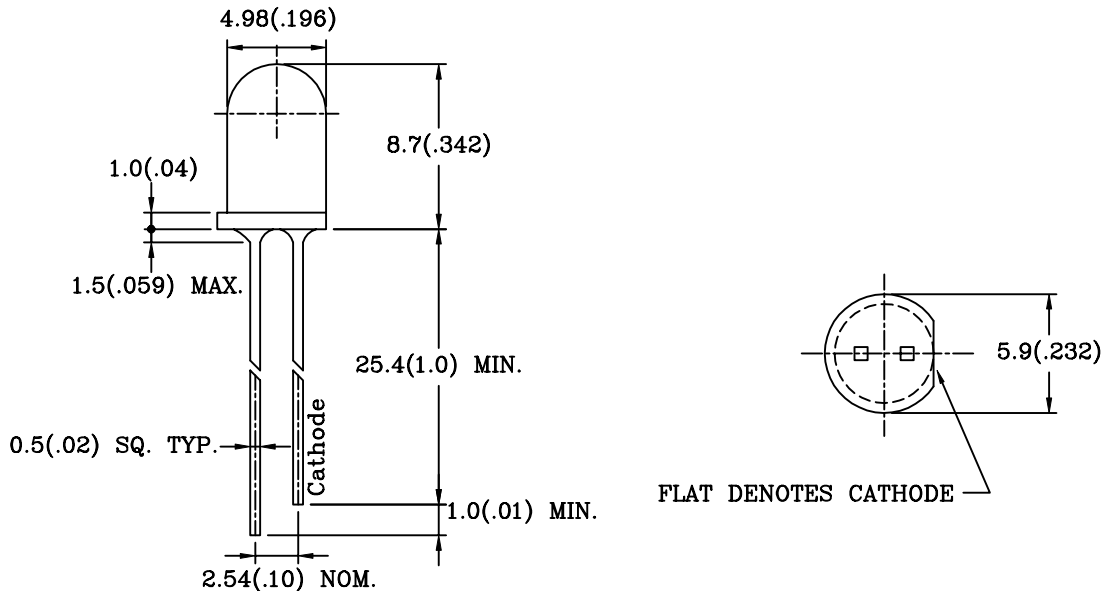
Chip		Lens Appearance	Absolute Maximum Rating			Electro-optical Data (At 20mA)				Viewing Angle 2 $\theta$ 1/2 (deg)	
Emitted Color	Chromatically Coordinates(note 4) (At 20mA)		Pd (mW)	If (mA)	Peak If(mA)	Vf(V)		Iv (mcd)			
	X					Y	Typ.	Max.	Min		Typ.
White	0.32	0.31	Water Clear	100	30	100	3.5	4.0	2400	5000	12 $\pm$ 3

Remark : Viewing angle is the Off-axis angle at which the luminous intensity is half the axial luminous intensity.

●ABSOLUTE MAXIMUM RATINGS (Ta=25°C)

Reverse Voltage .....	5V
Reverse Current (V <sub>R</sub> =5V) .....	100 $\mu$ A
Operating Temperature Range .....	-40°C ~ 80°C
Storage Temperature Range .....	-40°C ~ 85°C
Lead Soldering Temperature .....	260°C For 5 Seconds

●PACKAGE DIMENSIONS



NOTES: 1.All dimensions are in millimeters (inches).

2.Tolerance is  $\pm 0.25$ mm (0.01") unless otherwise specified.

3.The products are sensitive to static electricity and care must be fully taken when handling products.

4.Lead spacing is measured where the leads emerge from the package.

5.Specifications are subject to change without notice.

# BRIGHT LED ELECTRONICS CORP.

## SURFACE MOUNT CHIP LED LAMP SPECIFICATION

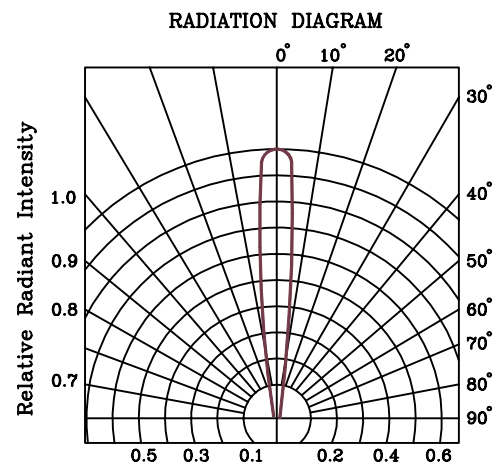
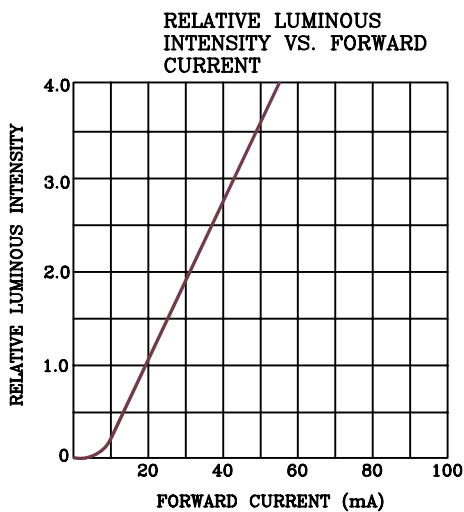
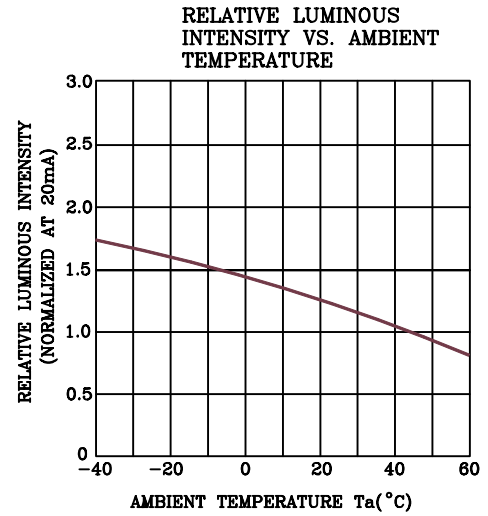
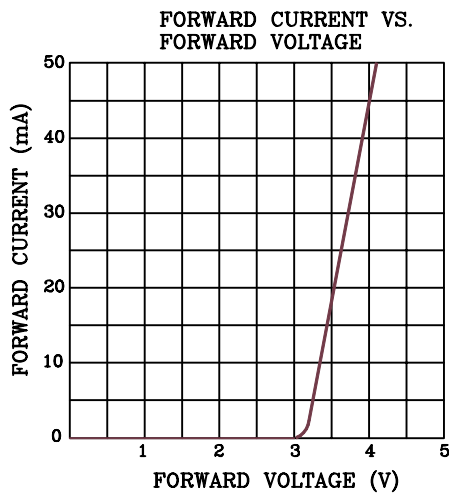
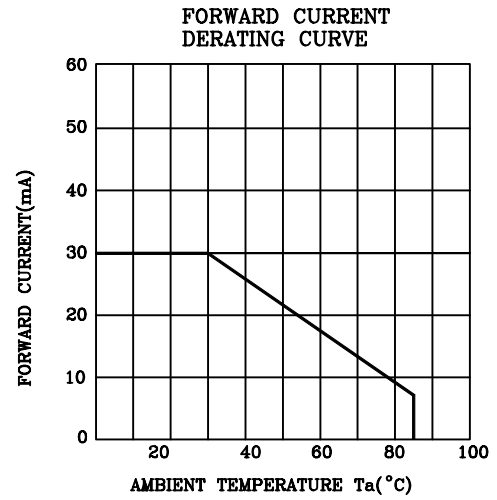
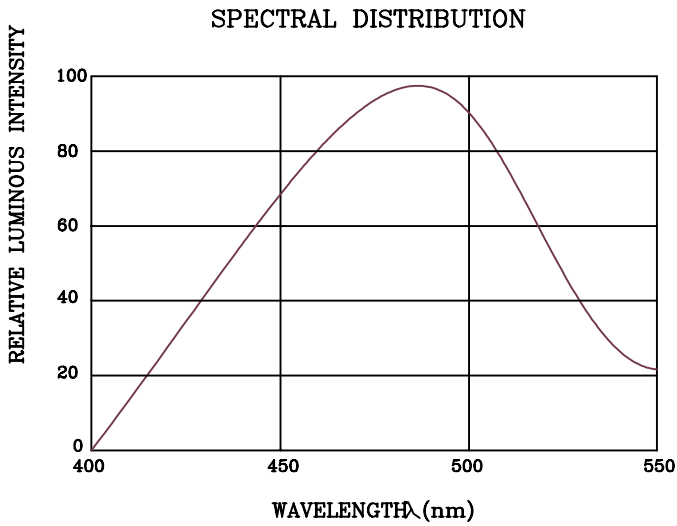
●COMMODITY:T-1 Standard 1.0" Lead 5 $\phi$

●DEVICE NUMBER: BL-BZ43V4V

PAGE: 3

●ELECTRICAL AND OPTICAL CHARACTERISTICS(Ta=25°C)

REVISION:1.0



# BRIGHT LED ELECTRONICS CORP.

## LED LAMP SPECIFICATION

### RELIABILITY TEST

PAGE: 4

REVISION: 1.0

Classification	Test Item	Reference Standard	Test Conditions	Result
Endurance Test	Operation Life	MIL-STD-750:1026 MIL-STD-883:1005 JIS C 7021 :B-1	Connect with a power $I_f=30\text{mA}$ $T_a$ =Under room temperature Test time=1,000hrs	0/100
	High Temperature High Humidity Storage	MIL-STD-202:103B JIS C 7021 :B-11	$T_a=85^\circ\text{C}\pm 5^\circ\text{C}$ RH=90%-95% Test time=1,000hrs	0/100
	High Temperature Storage	MIL-STD-883:1008 JIS C 7021 :B-10	High $T_a=105^\circ\text{C}\pm 5^\circ\text{C}$ Test time=1,000hrs	0/100
	Low Temperature Storage	JIS-C-7021 :B-12	Low $T_a=-55^\circ\text{C}\pm 5^\circ\text{C}$ Test time=1,000hrs	0/100
Environmental Test	Temperature Cycling	MIL-STD-202:107D MIL-STD-750:1051 MIL-STD-883:1010 JIS C 7021 :A-4	$-35^\circ\text{C} \sim 25^\circ\text{C} \sim 85^\circ\text{C} \sim 25^\circ\text{C}$ 30min 5min 30min 5min Test Time=10cycle	0/100
	Thermal Shock	MIL-STD-202:107D MIL-STD-750:1051 MIL-STD-883:1011	$105^\circ\text{C}\pm 5^\circ\text{C} \sim -55^\circ\text{C}\pm 5^\circ\text{C}$ 10min 10min Test Time=10cycle	0/100
	Solder Resistance	MIL-STD-202:201A MIL-STD-750:2031 JIS C 7021 :A-1	$T_{\text{sol}}=260\pm 5^\circ\text{C}$ Dwell Time= $10\pm 1\text{sec}$ .	0/50
	Solderability	MIL-STD-202:208D MIL-STD-750:2026 MIL-STD-883:2003 JIS C 7021 :A-2	$T_{\text{sol}}=230\pm 5^\circ\text{C}$ Dwell Time= $5\pm 1\text{sec}$ .	0/50
	Lead Bending Stress	MIL-STD-750:2036 JIS C 7021 :A-11	$0^\circ\sim 90^\circ\sim 0^\circ$ bend , 3 cycles Weight 250g	0/50

### JUDGMENT CRITERIA OF FAILURE FOR THE RELIABILITY

Measuring items	Symbol	Measuring conditions	Judgement criteria for failure
Forward voltage	VF	$I_F=20\text{mA}$	Over $U_x1.2$
Reverse current	IR	$V_R=5\text{V}$	Over $U_x2$
Luminous intensity	IV	$I_F=20\text{mA}$	Below $S_x0.5$

Note: 1.U means the upper limit of specified characteristics. S means initial value.

2.Measurment shall be taken between 2 hours and after the test pieces have been returned to normal ambient conditions after completion of each test.

# BRIGHT LED ELECTRONICS CORP.

## LED LAMPS SPECIFICATION Intensity And Color Bin Limits

● COMMODITY : T-1 3/4 Standard 1.0"Lead, 5  $\phi$

PAGE: 5

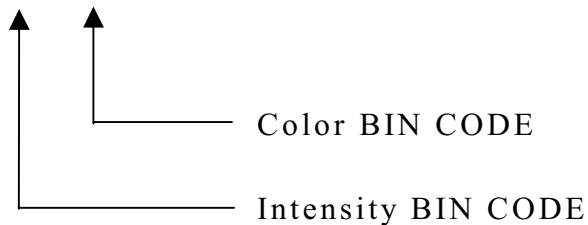
● DEVICE NUMBER : BL-BZ43V4V

REVISION: 1.2

● Intensity Bin Limits (At 20mA)

<b>BIN CODE</b>	<b>Min. (mcd)</b>	<b>Max. (mcd)</b>
Y	2400	3700
Z	3700	5550
ZA	5550	8325
ZB	8325	12488

● BIN : x x



Notes:

1. Bin categories are established for classification of products.  
Products may not be available in all bin categories.

# BRIGHT LED ELECTRONICS CORP.

## LED LAMPS SPECIFICATION Intensity And Color Bin Limits

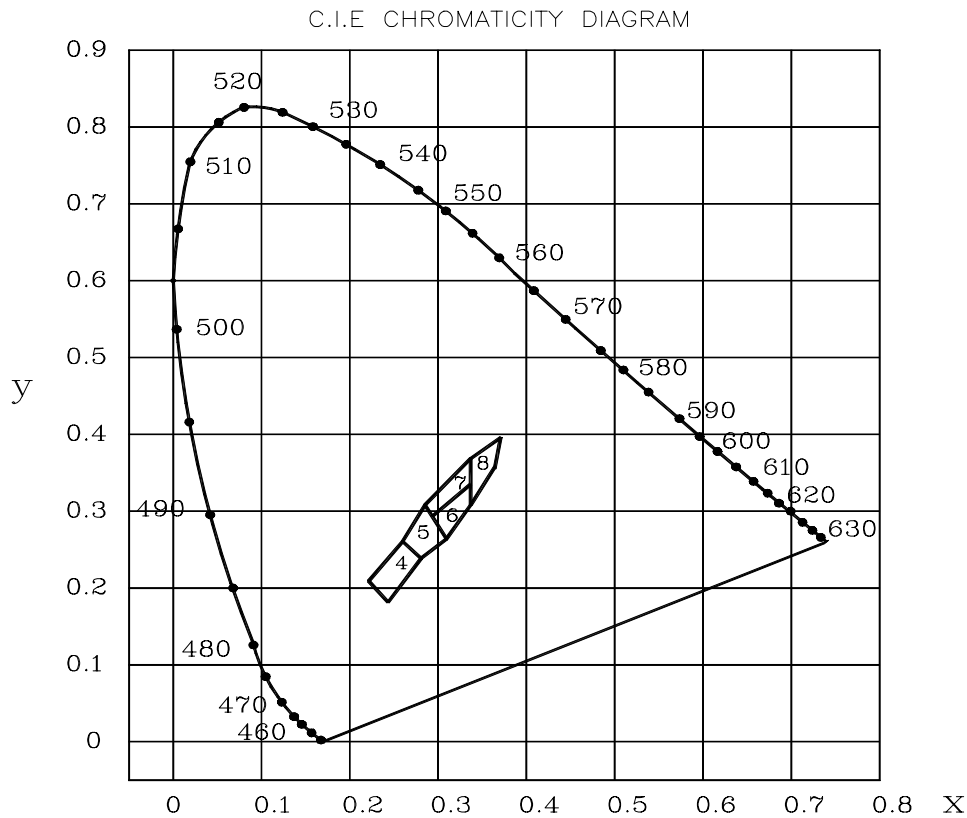
●COMMODITY : T-1 3/4 Standard 1.0"Lead, 5  $\phi$

PAGE: 6

●DEVICE NUMBER : BL-BZ43V4V

REVISION: 1.1

●Color Bin Limits (nm at 20mA)



BIN	Chromaticity Coordinates				
4	x	0.245	0.225	0.260	0.279
	y	0.190	0.215	0.262	0.242
5	x	0.279	0.260	0.283	0.305
	y	0.242	0.262	0.305	0.265
6	x	0.305	0.287	0.330	0.330
	y	0.265	0.295	0.339	0.305
7	x	0.287	0.283	0.330	0.330
	y	0.295	0.305	0.360	0.339
8	x	0.330	0.330	0.361	0.356
	y	0.305	0.360	0.385	0.351

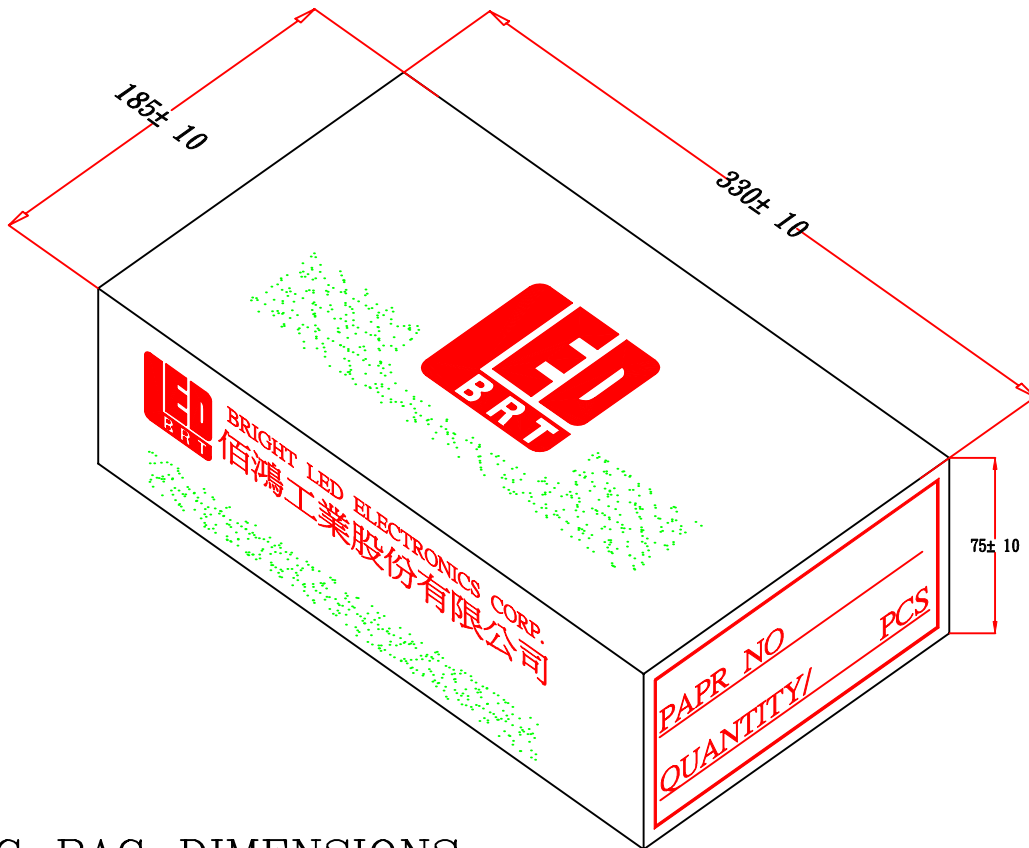
# BRIGHT LED ELECTRONICS CORP.

## PACKAGING DIMMENSIONS

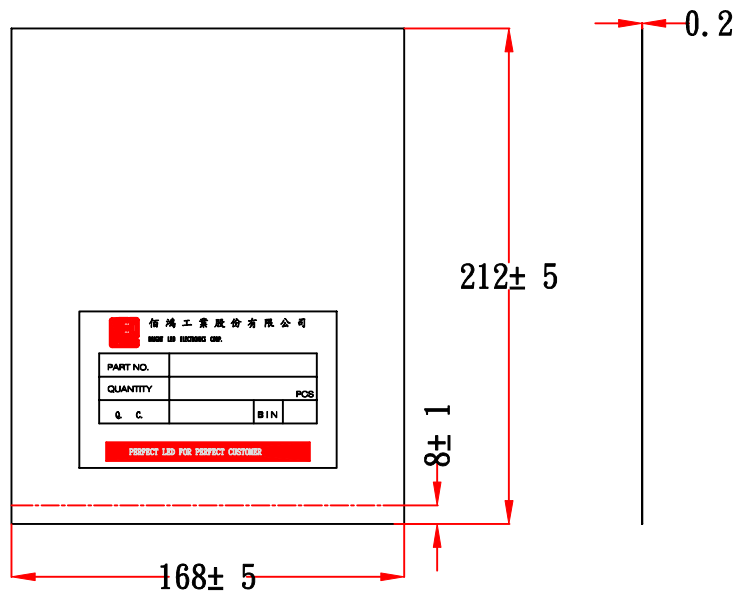
PAGE: 7

REVISION: 1.0

### PACKAGING BOX DIMENSIONS



### PACKAGING BAG DIMENSIONS



#### NOTES:

1. 500 PCS PER BAG, 5K PCS PER BOX
2. ALL Dimensions are in millimeters(inches).
3. Specifications are subject to change without notice.