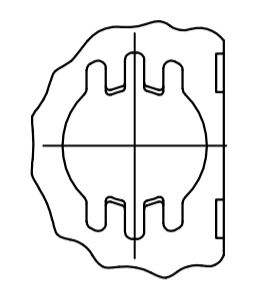
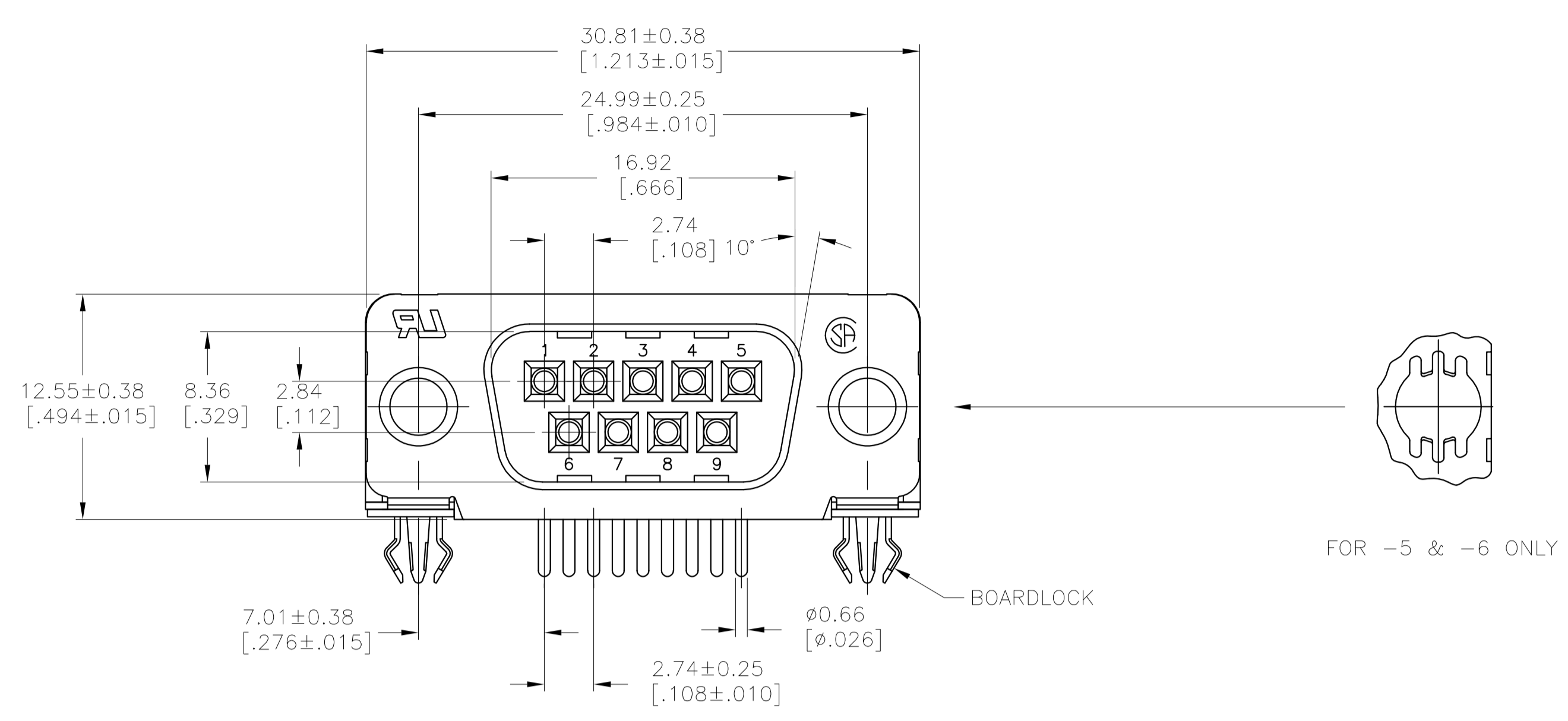
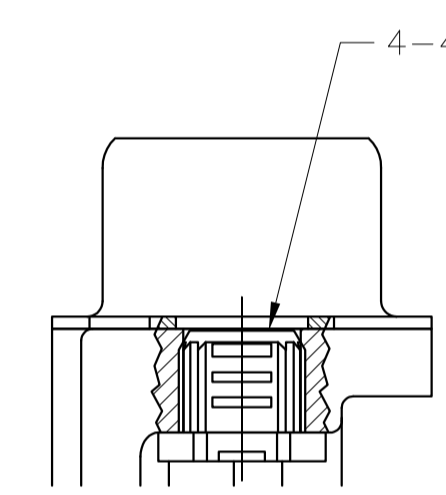
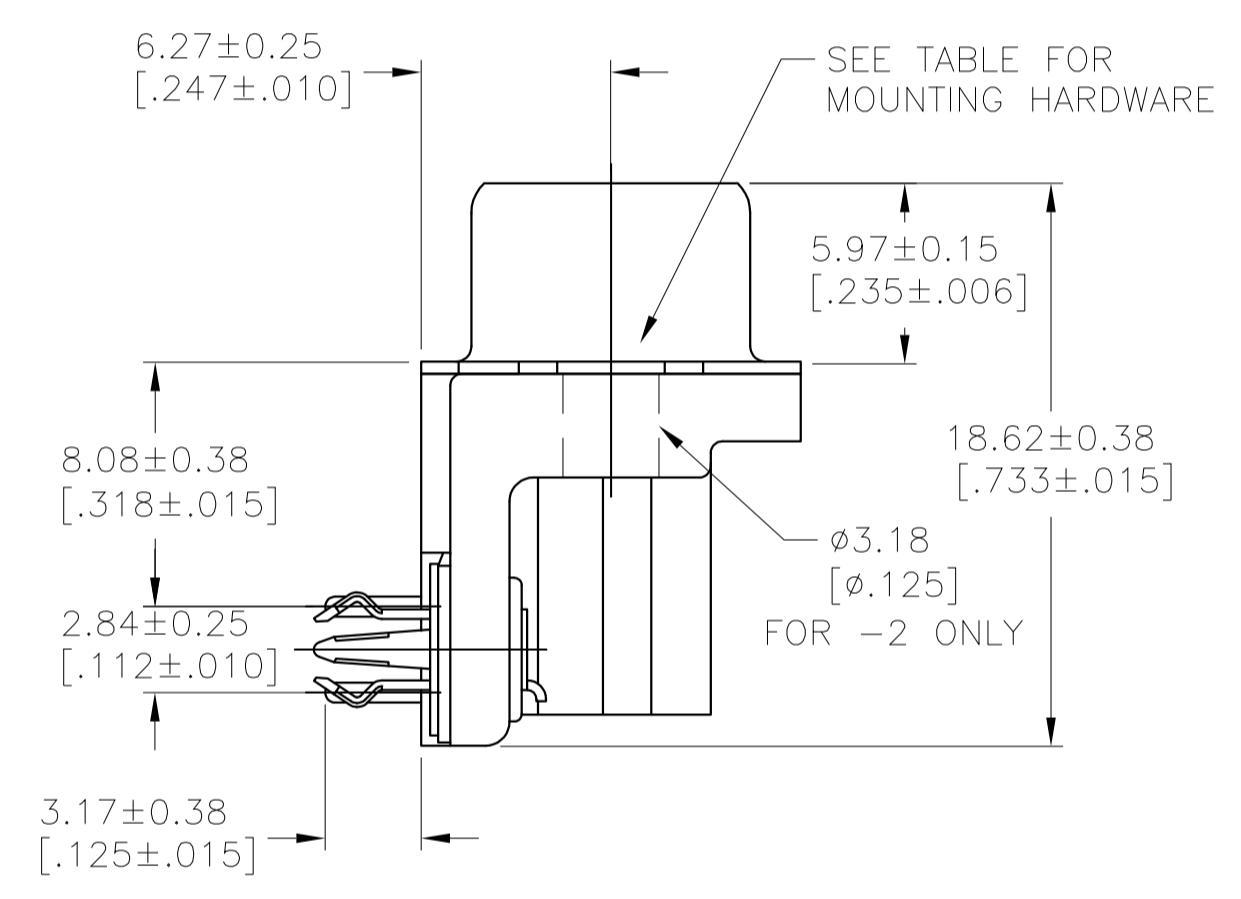
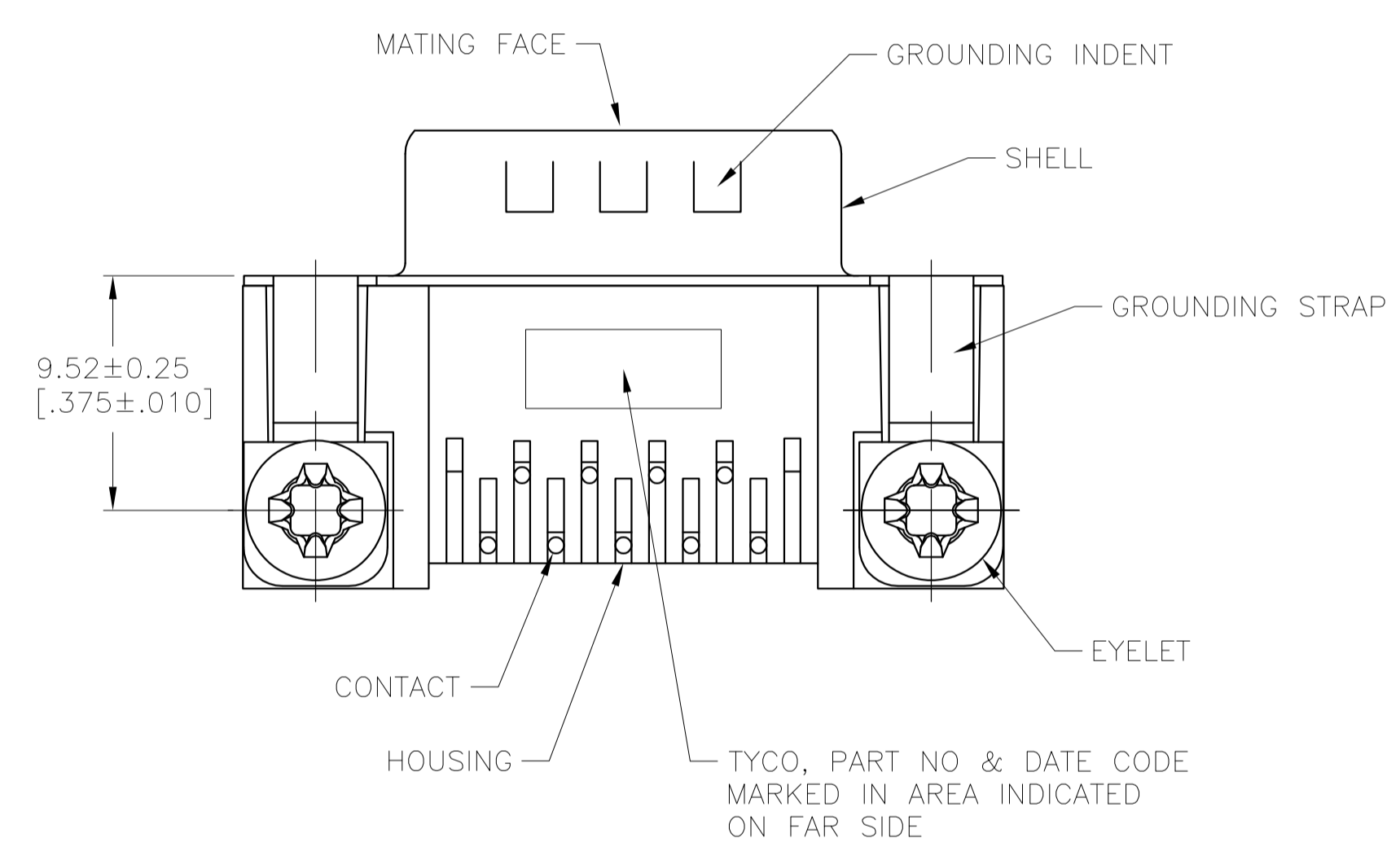


LOC		DIST		REVISIONS			
P	LTR	DESCRIPTION	DATE	DMN	APVD		
C		REVISED PER ECO-11-010489	22JUN2011	CJV	SLB		

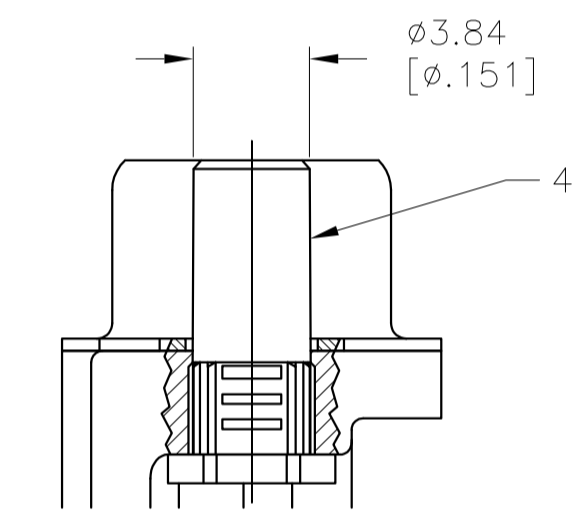


FOR -5 & -6 ONLY

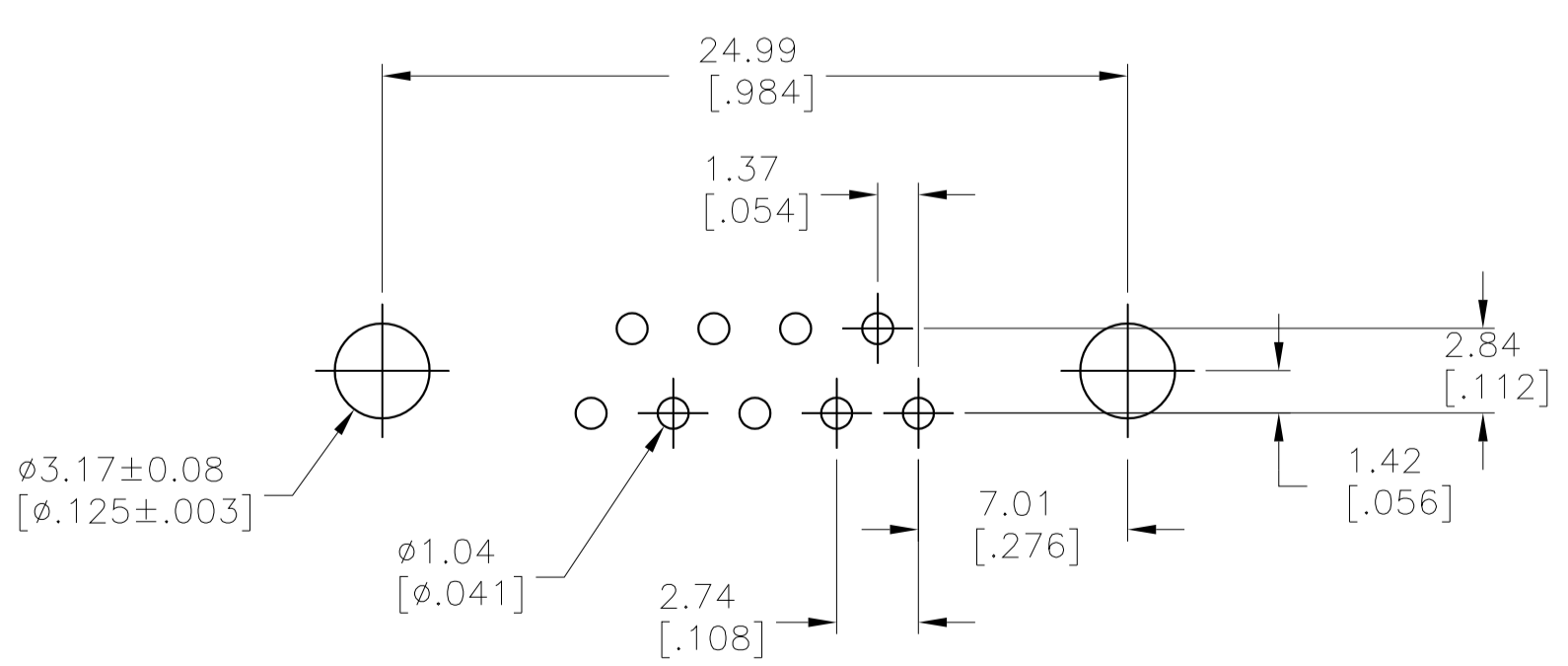
- 1 HOUSING: NYLON OR POLYESTER, FLAME RETARDANT, 94V-0 RATED, COLOR BLACK.
SHELL: CARBON STEEL.
CONTACTS: BRASS.
EYELETS: BRASS.
BOARDLOCKS: COPPER ALLOY.
INSERTS: ZINC.
SCREWLOCKS: ZINC.
- 2 SHELL: .00254μm[.000100] MIN TIN OVER .00127μm[.000050] MIN COPPER.
CONTACTS: SEE TABLE.
EYELETS: .00508μm[.000200] MIN TIN OVER COPPER FLASH.
BOARDLOCKS: .00508μm[.000200] MIN TIN OVER .00127μm[.000050] MIN NICKEL.
INSERTS: CLEAR CHROMATE.
SCREWLOCKS: CLEAR CHROMATE.
- 3 0.76μm[.000030] MIN GOLD PLATE ON THE MATING SURFACES, 2.54μm[.000100] MIN TIN PLATE ON THE SOLDER END, 1.27μm[.000050] MIN NICKEL UNDERPLATE ON THE ENTIRE CONTACT
-OR-
GOLD FLASH OVER PALLADIUM-NICKEL PLATE, 0.76μm[.000030] MIN TOTAL ON THE MATING SURFACES, 2.54μm[.000100] MIN TIN PLATE ON THE SOLDER END, 1.27μm[.000050] MIN NICKEL UNDERPLATE ON THE ENTIRE CONTACT.
- 4 GOLD FLASH ON MATING END, .00254μm[.000100] MIN TIN ON SOLDER END, ALL OVER .00127μm[.000050] MIN NICKEL.



DETAIL A



DETAIL B



RECOMMENDED PC BOARD LAYOUT
 1.57[.062] PC BOARD
 (VIEWED FROM CONNECTOR SIDE)

**COPYRIGHT 2005
 TYCO ELECTRONICS CORP
 ALL RIGHTS RESERVED**

1	SEE DETAIL B	5747840-6
2	SEE DETAIL B	5747840-5
3	SEE DETAIL A	5747840-4
4	SEE DETAIL A	5747840-3
	NONE	5747840-2
	CONTACT FINISH	MOUNTING HARDWARE
		PART NUMBER

DIMENSIONS:		TOLERANCES UNLESS OTHERWISE SPECIFIED:		DIN		NAME	
INCHES		0. PLC	± -	J. GERACE	07FEB05	TE Connectivity	
		1. PLC	± -	S. BOLASH	07FEB05		
		2. PLC	± -	M. WALMSLEY	07FEB05		
		3. PLC	± 0.13(.005)			PLUG ASSEMBLY, SIZE 1, 9 POS, RIGHT ANGLE, FRONT METAL SHELL, 8.08[.318] SERIES, AMPLIMITE HD-20	
		4. PLC	± - ±			PRODUCT SPEC 108-40025	
		ANGLES	± - ±			APPLICATION SPEC 114-40010	
MATERIAL		FINISH		SIZE	CAGE CODE	DRAWING NO	RESTRICTED TO
				A1	00779	5747840	
				WEIGHT			
				CUSTOMER DRAWING	SCALE	4:1	SHEET 1 OF 1 REV C