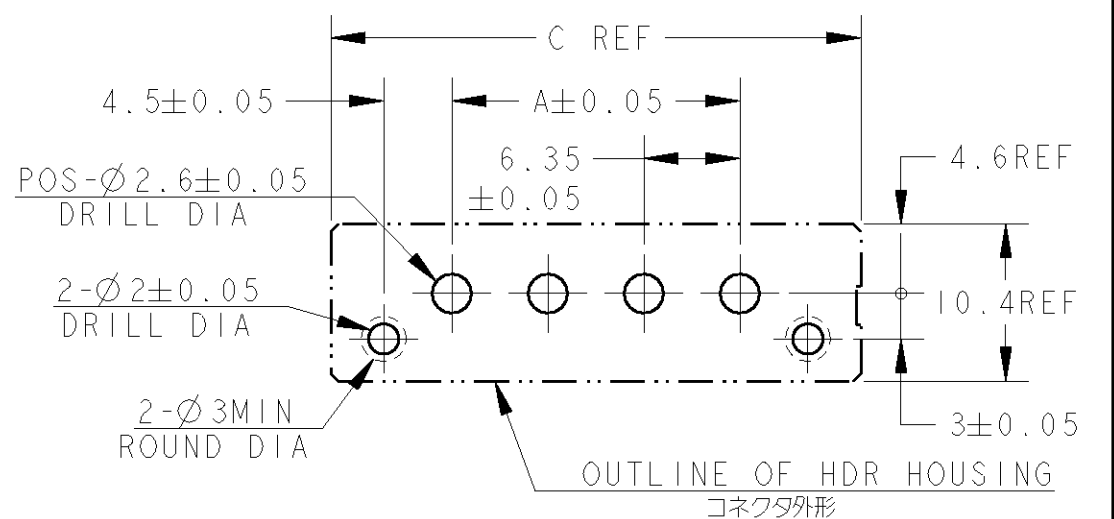
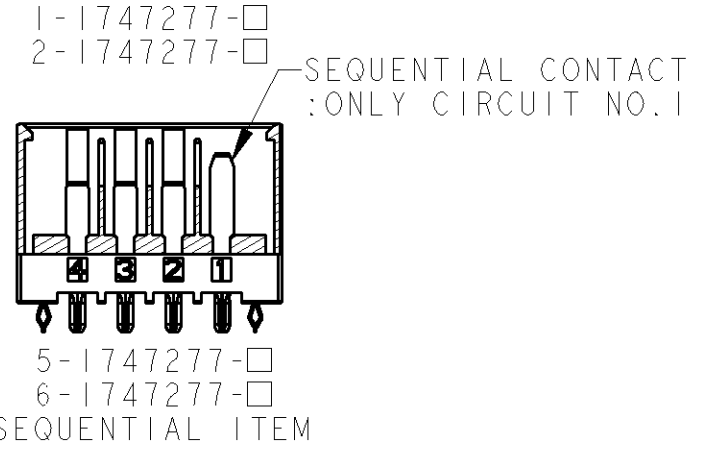
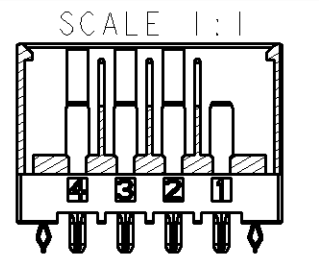
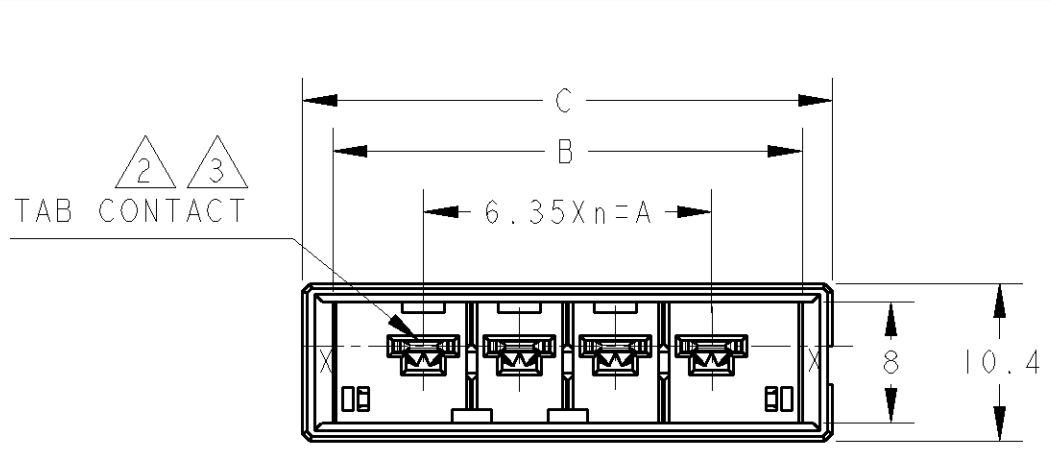


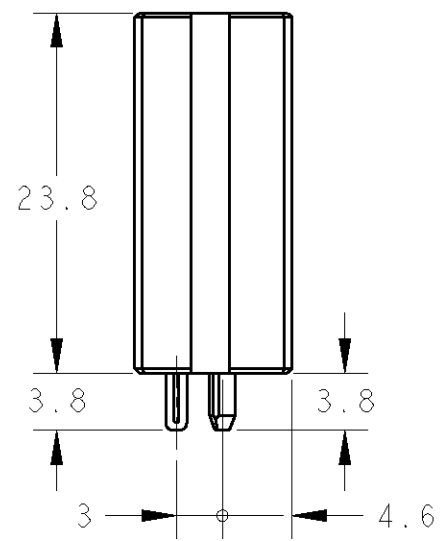
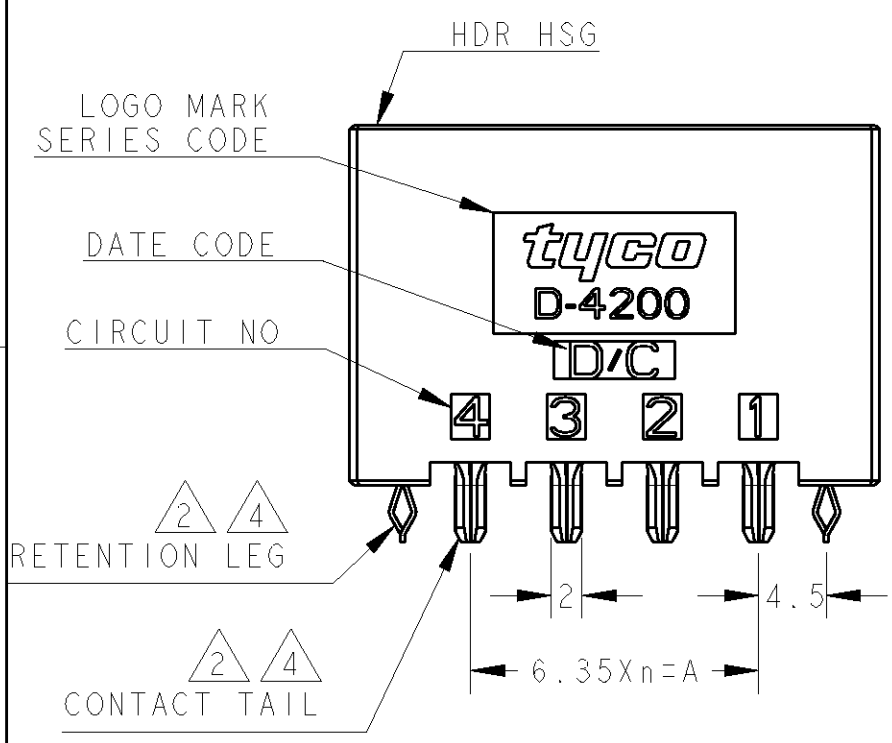
THIS DRAWING IS UNPUBLISHED. RELEASED FOR PUBLICATION 20
 © COPYRIGHT 20 BY TYCO ELECTRONICS CORPORATION. ALL RIGHTS RESERVED.

LOC	DIST	REVISIONS						
		P	LTR	DESCRIPTION	ECN	DATE	DWN	APVD
J	-	0		RELEASED		02JUL2004	T.K	D.M
		01		ADD PART(SEQUENTIAL) NO	ECR-06-030228	24AUG2005	T.K	D.M
		02		REVISED PCB TEXT	ECR-07-005648	22MAR2007	M.M	D.M



推奨基板取付穴寸法: コネクタ搭載面 (非累積公差)
 PC基板厚: 1.6~2.4±0.1
 RECOMMEND PC BOARD HOLE PATTERN : CONNECTOR MOUNT SIDE (NOT ACCUMULATE TOLERANCE)
 PC BOARD THICKNESS : 1.6~2.4±0.1

KEY LOCATION VIEW



AS SHOWN: 1-1747277-4 (4POS: X-KEY)

POS	n	KEY LOCATION	C	B	A	KEY	PART NUMBER
4	3		35.05	31.05	19.05	Y	2-1747277-4 6-1747277-4
4	3		35.05	31.05	19.05	X	1-1747277-4 5-1747277-4
3	2		28.70	24.70	12.70	Y	2-1747277-3 6-1747277-3
3	2		28.70	24.70	12.70	X	1-1747277-3 5-1747277-3
2	1		22.35	18.35	6.35	Y	2-1747277-2
2	1		22.35	18.35	6.35	X	1-1747277-2

1. MATERIAL: HOUSING: GLASS FILLED THERMO PLASTIC POLYESTER (94V-0), COLOR: BLACK
 CONTACT: COPPER ALLOY
 RETENTION LEG: COPPER ALLOY

- ②. FINISH (ALL OVER): NICKEL PL. 1.3μm MIN
- ③. FINISH (CONTACT AREA): GOLD PL. 0.38μm MIN AFTER ②
- ④. FINISH (CONTACT TAIL & RETENTION LEG): TIN PL. 2μm MIN AFTER ②

1. 材料: ハウジング: ガラス入り熱可塑性ポリエステル樹脂 (94V-0), 色: 黒
 コンタクト: 銅合金
 リテンションレグ: 銅合金

- ②. めっき (全面): ニッケル下地めっき | . 3μm 以上.
- ③. めっき (接触部): ②の上に金めっき 0.38μm 以上.
- ④. めっき (コンタクト半田付部とリテンションレグ): ②の上に錫めっき 2μm 以上.

DIMENSIONS: 単位: 概 mm		TOLERANCES UNLESS OTHERWISE SPECIFIED: 一般公差 ±0.3, ±3°	
0-PLC ±		1-PLC ±0.5	
2-PLC ±0.13		3-PLC ±0.013	
4-PLC ±0.001		ANGLES ±	
MATERIAL 材料	-	FINISH 仕上	-

DWN T.KUDO 02JUL2004	Tyco Electronics AMP K.K. Kawasaki, Japan
CHK D.MITSUGI 02JUL2004	
APVD D.MITSUGI 02JUL2004	NAME 名称 DYNAMIC D4200S 6.35mm PITCH HDR ASSY (V-TYPE) 2-4POS
PRODUCT SPEC 108-78182	SIZE A3 CAGE CODE 00779 DRAWING NO C-1747277
APPLICATION SPEC 114-5369	RESTRICTED TO -
WEIGHT -	CUSTOMER DRAWING
SCALE 2:1 SHEET 1 OF 1 REV 02	