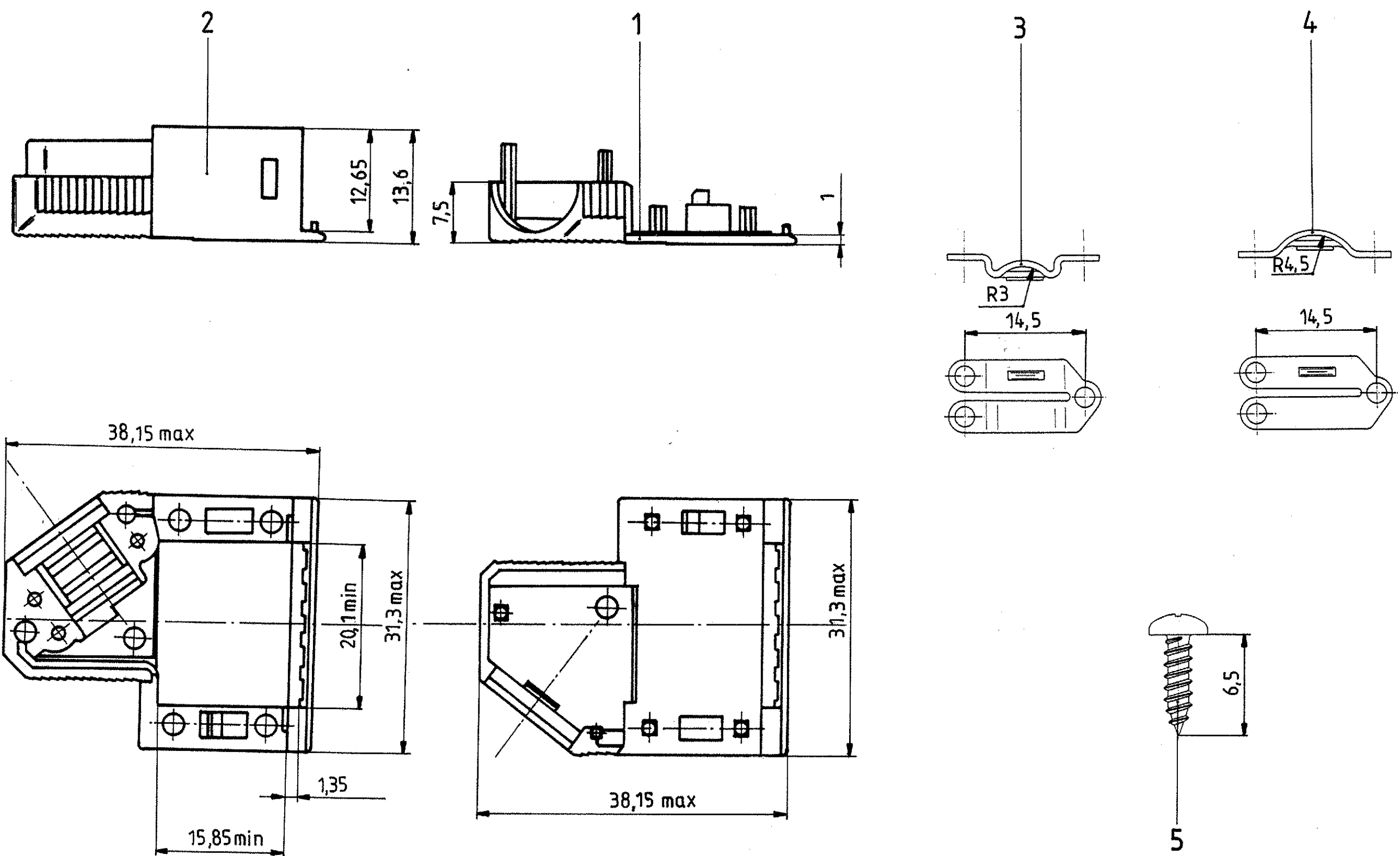


Sin nuestra autorización, queda terminantemente prohibida la reproducción total o parcial de este documento, así como su uso indebido y/o su exhibición o comunicación a terceros. De los infractores se exigirá el correspondiente resarcimiento de daños y perjuicios. Se reserva todos los derechos para el caso de la concesión de patente de invención o el registro de Modelo Industrial.




Weitergabe sowie Vervielfältigung dieser Unterlage, Verwertung und Mitteilung ihres Inhalts nicht gestattet, soweit nicht ausdrücklich zugelassen. Zuwiderhandlungen verpflichten zu Schadenersatz. Alle Rechte für den Fall der Patenterteilung oder GM-Eintragung vorbehalten.

Copying of this document, and giving it to others and the use or communication of the contents thereof, are forbidden without express authority. Offenders are liable to the payment of damages. All rights are reserved in the event of the grant of a patent or the registration of a utility model or design.



P/N 9 contacts version: V42254-A6000-K*09

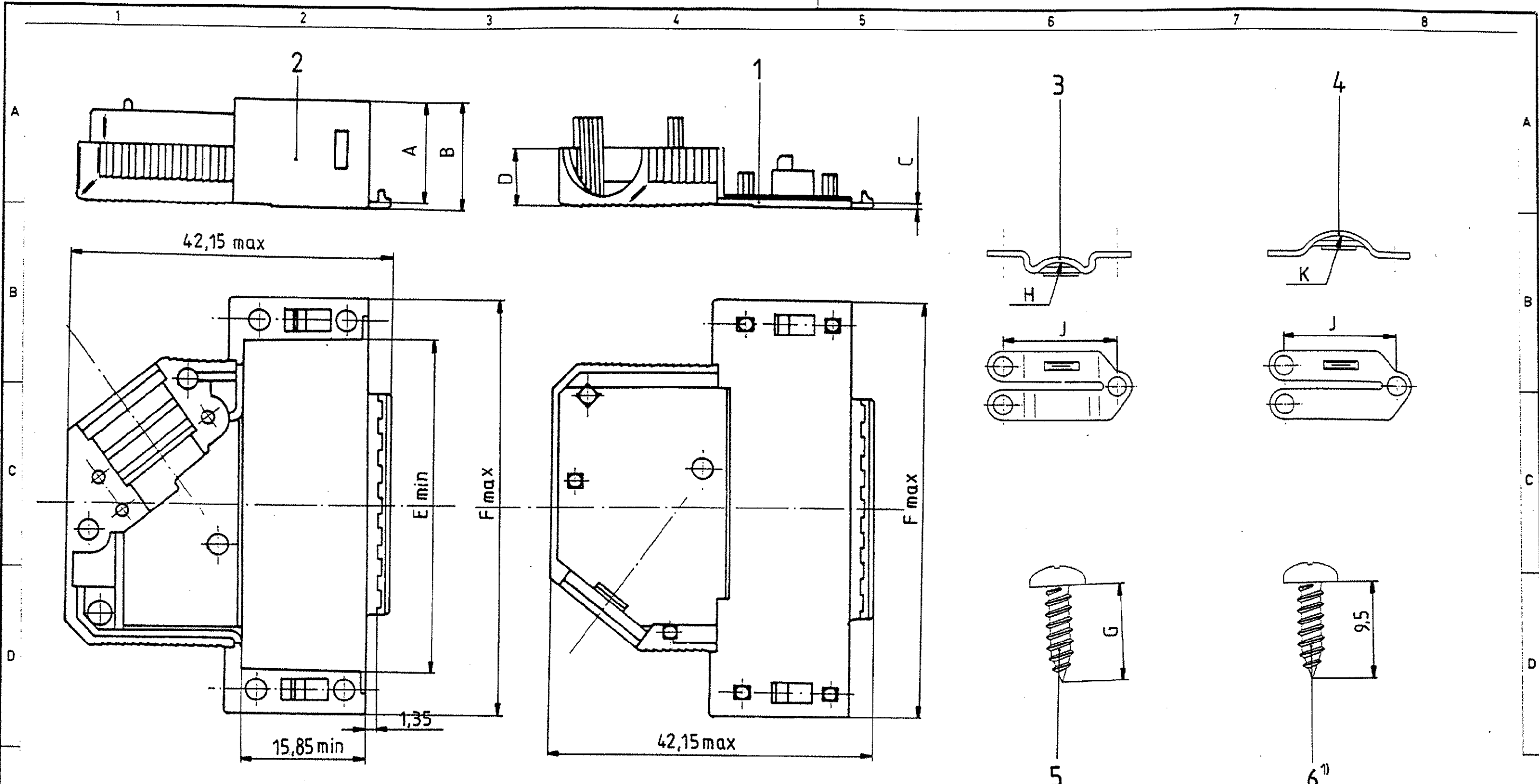
1 FOR PLASTIC PARTS (POS. 1 AND 2):
 - LENGTHS: DIN 16901/130,
 - ANGLES, FORMS: DIN 7168-m, R,
 FOR METAL PARTS (POS. 3 AND 4): DIN 7168-m,
 FOR SCREWS (POS. 5 AND 6): DIN 7981 F-H.

						Maßstab	
						Tyco Electronics Corporation Oostkamp - Belgium	
				DATE 26.03.87		D-Sub Housing unshielded 9 contacts	
				NAME De Petter			
				APP. PD Com P&SE			
A2	ECR-10-017904	09DEC10	RK			V42254-A6000-K***-*-27	
A1	ECR-09-024033	16-02-10	RK				
A	WO00/7013	03.07.00	KV				
03	WB89/176	27.06.89	VH				
02	WB88/166	15.09.88					
01		02.05.88				SHT. 1+	
Zust. Mitteilung				Datum		Name	
						customer drawing number: C 1-1393738-0	
						OF 4	

da la reproducción total o parcial de este documento, así como su uso indebido y/o su exhibición o comunicación a terceros. De las infracciones se exigirá el correspondiente resarcimiento de daños y perjuicios. Se reserva todos los derechos para el caso de la creación de patente de invención o el registro de Modelo Industrial.

Wiedergabe sowie Vervielfältigung dieses Urteils, Verbreitung und Mitteilung über Inhalte, ist ohne schriftliche Genehmigung der Tyco Electronics Corporation. Alle Rechte vorbehalten. Falls der Patentschutz eintritt, ist die Erfindung geschützt.

copying of this document, and giving it to others, and the use or communication of the contents thereof, are forbidden without express authority. Offenders are liable to the payment of damages. All rights are reserved in the event of the grant of a patent or the registration of a utility model or design.



housing		dimension									
P/N	No. of contacts	A	B	C	D	E	F	G	H	J	K
V42254-A6000-											
K × 15	15					28,4	39,62		R3	14,5	R4,5
K × 25	25	13	14	1	7,5	42,2	53,52	6,5	R4	16	R5,5
K × 37	37					58,65	69,8				
K × 50	50	16	17,5	1,5	9,5	56,18	67,41	9,5	R5,5	20,6	R7

1) only for the 37 contacts version
drawn is the 25 contacts version

				Tyco Electronics Corporation Oostkamp - Belgium	
		D-Sub Housing unshielded 15 to 50 contacts			
		V42254-A6000-K***-*-27		SHT. 2-	
		customer drawing number: C 1-1393738-0			

A2	SEE SHEET 1.		
Zust	Mittlung	Datum	Name

TOLERANCES UNLESS OTHERWISE SPECIFIED:
1

V 4 2 2 5 4 - A 6 0 0 * - K * * *

Housing type
K plastic housing, unshielded

Marking and colour of the housing

1	TE-marking, grey
2	without marking, grey
3	TE-marking, black
4	without marking, black

wire diameter	No. of contacts - housing size					
	0	1	2	3	4 ³⁾	
4-8					09	9 contacts - housing size 1
4-6					15	15 contacts - housing size 2
5-10					25	25 contacts - housing size 3
5-11					37	37 contacts - housing size 4
5-8,5					50	50 contacts - housing size 5
5-8,5						
6-11						
6-8						
6-8						
8-10						
8-10						
8-10						
8,5-1						
8,5-1						
8,5-1						
10-11						
10-11						
10-11						
9-14,5						
9-14,5						
9-12						
9-12						
9-12						
12-14,5						
12-14,5						
9-14,5						
9-14,5						

Packaging

set 1)	200	200	200	200	200
2)	200	200	200	200	200

1) per set, in blister
 - 9 and 15 contacts : 25
 - 25, 37 and 50 contacts : 15
 2) loose pieces, in cardboard : 200
 3) only for : - V42254-A6004-G1**
 - V42254-A6004-+4**



Tyco Electronics Corporation
Oostkamp - Belgium



LOC DIMENSIONS IN MM

SCALE WEIGHT

MATERIAL

DATE	26.03.87
NAME	De Petter
DEP.	PD Com P&SE
EC	
TOLERANCE UNLESS SPECIFIED OTHERWISE	

PART NAME
D-Sub Housing
unshielded

PART NO.
V42254-A6000-K***-*-27

SHT. 3+

customer drawing number: C 1-1393738-0

REV.	CHANGE ORDER	DATE	APP.	customer drawing number: C 1-1393738-0	OF 4
------	--------------	------	------	--	------

THIS INFORMATION IS CONFIDENTIAL AND PROPRIETARY TO TYCO ELECTRONICS CORPORATION AND ITS WORLDWIDE SUBSIDIARIES AND AFFILIATES. IT MAY NOT BE DISCLOSED TO ANYONE, OTHER THAN TYCO ELECTRONICS PERSONNEL, WITHOUT WRITTEN AUTHORIZATION FROM TYCO ELECTRONICS CORPORATION, HARRISBURG, PENNSYLVANIA USA.

PROPRIETARY:

Active part numbers. Contact Tyco Electronics for other configuration availability

Old Part Number	TE Part Number	
V42254-A6000-K109	1-1393738-0	
V42254-A6000-K115	1-1393738-1	
V42254-A6000-K125	1-1393738-2	
V42254-A6000-K137	1-1393738-3	
V42254-A6000-K150	1-1393738-4	
V42254-A6000-K315	1-1393738-6	
V42254-A6001-K125	4-1393738-7	SUPERSEDED BY 1-1393738-2
V42254-A6004-K109	7-1393738-3	OBSOLETE
V42254-A6004-K115	7-1393738-4	OBSOLETE
V42254-A6004-K137	7-1393738-6	OBSOLETE
V42254-A6004-K150	7-1393738-7	
V42254-A6004-K309	1-1393739-5	SUPERSEDED BY 1-1393738-0, 5-1393738-3
V42254-A6004-K315	7-1393738-8	OBSOLETE
V42254-A6004-K325	1-1393739-6	OBSOLETE
V42254-A6004-K337	1-1393739-7	SUPERSEDED BY 1-1393738-3
V42254-A6004-K350	1-1393739-8	SUPERSEDED BY 1-1393738-4
V42254-A6004-K409	7-1393738-9	OBSOLETE
V42254-A6004-K415	8-1393738-0	OBSOLETE
V42254-A6004-K425	8-1393738-1	OBSOLETE
V42254-A6004-K450	8-1393738-2	OBSOLETE



Tyco Electronics Corporation
Oostkamp - Belgium



LOC DIMENSIONS IN MM
GW

SCALE WEIGHT

MATERIAL

DATE	26.03.87
NAME	De Petter
DEP.	PD Com P&SE
EC	
TOLERANCE UNLESS SPECIFIED OTHERWISE	
A2	SEE SHEET 1
REV.	CHANGE ORDER
DATE	APP.

PART NAME
D-Sub Housing unshielded

PART NO.
V42254-A6000-K*-*-27**

SHT. 4-
OF 4

customer drawing number: C 1-1393738-0

THIS INFORMATION IS CONFIDENTIAL AND PROPRIETARY TO TYCO ELECTRONICS CORPORATION AND ITS WORLDWIDE SUBSIDIARIES AND AFFILIATES. IT MAY NOT BE DISCLOSED TO ANYONE, OTHER THAN TYCO ELECTRONICS PERSONNEL, WITHOUT WRITTEN AUTHORIZATION FROM TYCO ELECTRONICS CORPORATION, HARRISBURG, PENNSYLVANIA USA.

PROPRIETARY: