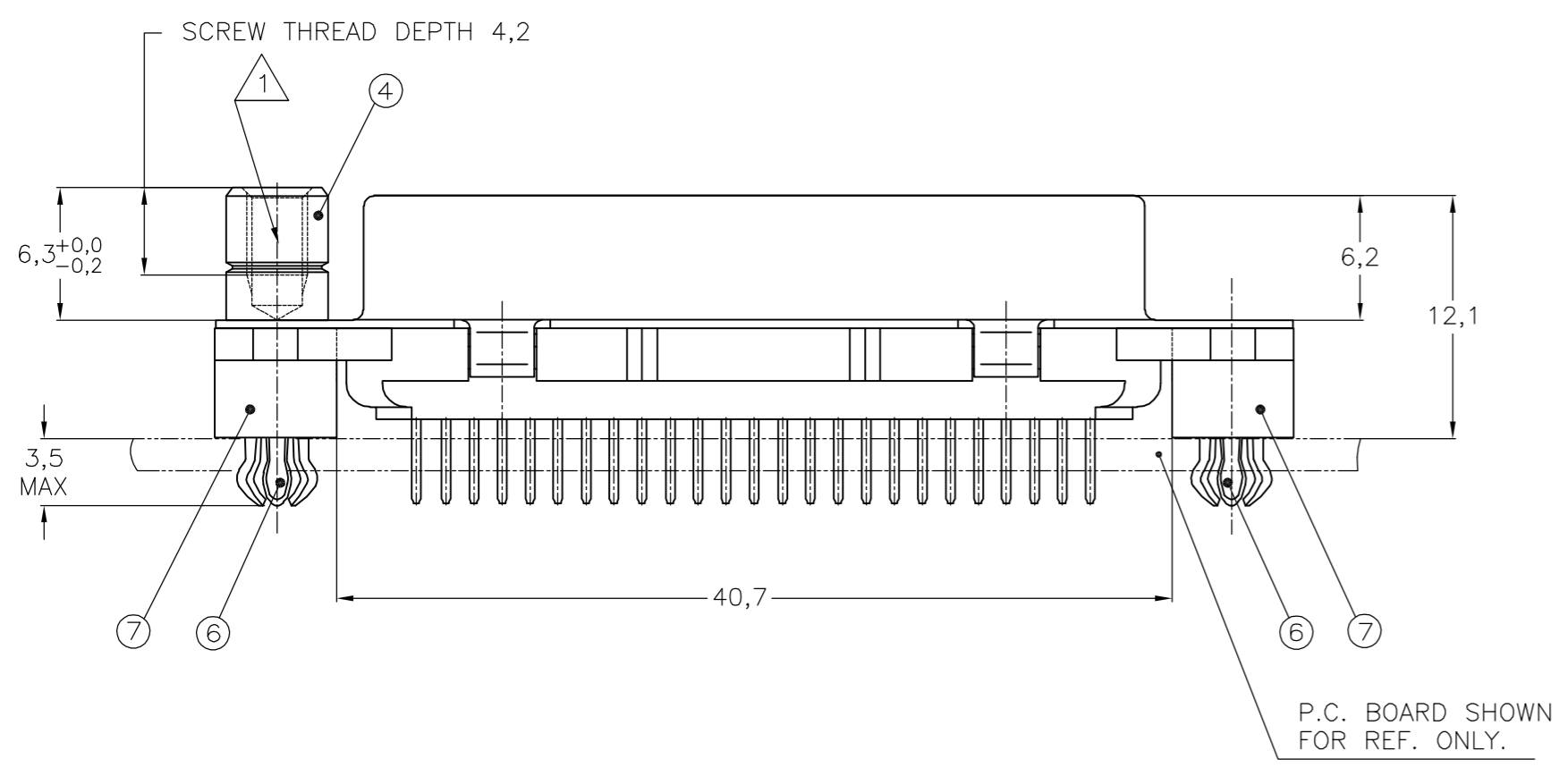
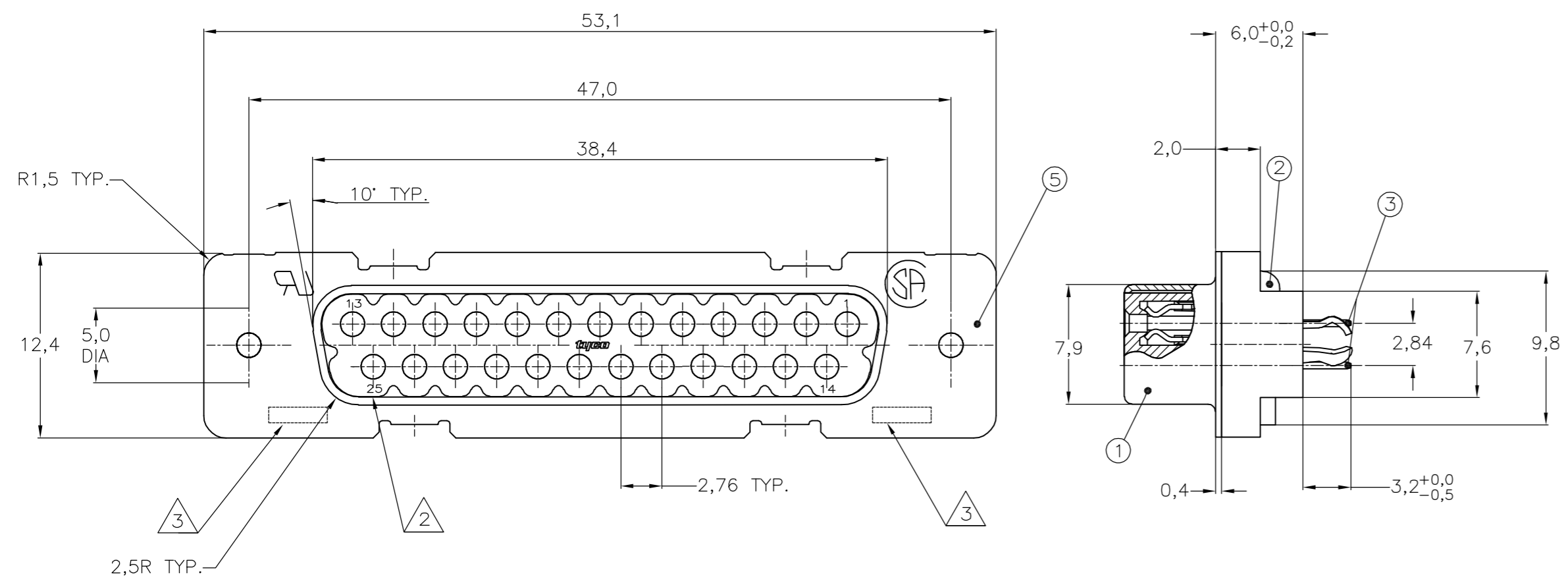
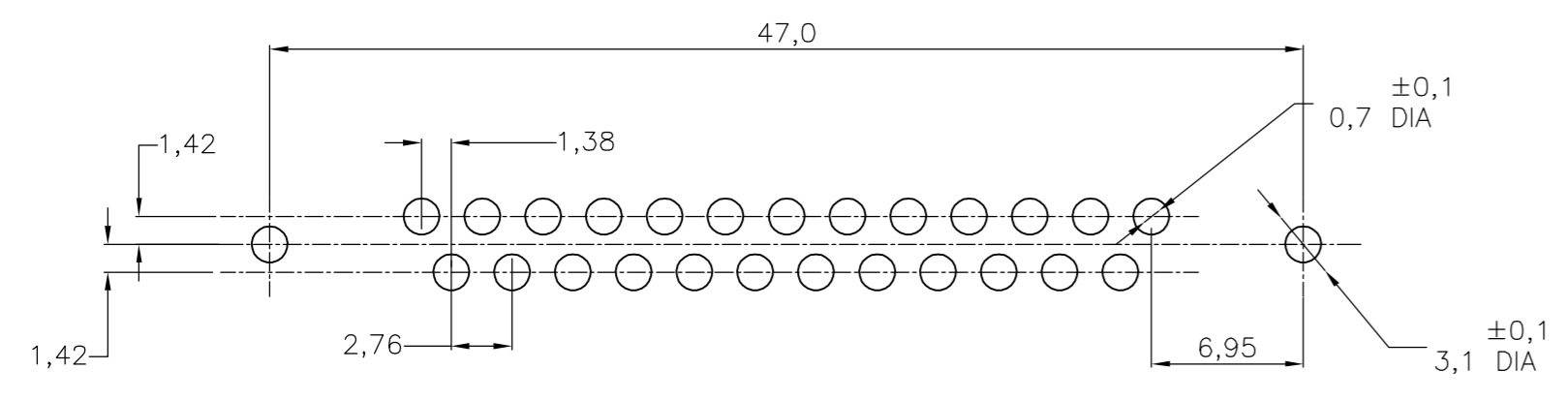


THIS DRAWING IS UNPUBLISHED. RELEASED FOR PUBLICATION  
 © COPYRIGHT BY TYCO ELECTRONICS CORPORATION. ALL RIGHTS RESERVED.

Loc	DIST	REVISIONS					
		P	LTR	DESCRIPTION	DATE	DWN	APVD
H	-		D	EH-1417-99	19-02-00	P.W	WC
			E	ECR-06-011911	22-05-06	BSV	DC
			F	ECR-06-029370	21-03-07	BSV	MK



RECOMMENDED P.C. BOARD HOLE-LAYOUT



ACCESSORIES PREFIX "Z"	ITEM NR.	DESCRIPTION OF ACCESSORY	1	2	3	4	5	6	7	8	9
5	BUSHING WITH THROUGHHOLE 3,1 DIA.										
5	BUSHING WITH THREAD 4-40 UNC		2								
5	BUSHING WITH THREAD M3		2								
4	FEMALE SCREWLOCK WITH THREAD 4-40 UNC			2							
4	FEMALE SCREWLOCK WITH THREAD M3			2							
6	BOARDLOCK		2	2	2	2					

**HOW TO ORDER:**

25 POS. -----> Z-338315-Y

PREFIX FOR ACCESSORIES }  
 BASIC PARTNR. }  
 SUFFIX FOR PLATING }

1-XXXXXXXX-Y  
 2-XXXXXXXX-Y  
 3-XXXXXXXX-Y  
 4-XXXXXXXX-Y  
 5-XXXXXXXX-Y  
 6-XXXXXXXX-Y  
 7-XXXXXXXX-Y  
 8-XXXXXXXX-Y  
 9-XXXXXXXX-Y

**PLATING SUFFIX "Y"**

GOLD OVER NICKEL AS PER PERFORMANCE LEVEL 2 (DIN 41652) } -Y = -2  
 SOLDER-PART :TIN-PLATING 3µm }

- ① GROOVE INDICATES VERSION WITH 4-40 UNC INNER THREAD; WITHOUT GROOVE INDICATES VERSION WITH M3 INNER THREAD.
- ② CAVITY IDENTIFICATION AT FRONT SIDE ONLY.
- ③ PARTNUMBER AND DATE CODE.
- 4. WHEN BOARDLOCKS ARE USED, CONNECTOR CAN BE USED FOR PCB THICKNESS OF 1,6 mm ONLY.
- 5. AIR AND CREEPAGE DISTANCES ACCORDING TO DIN 41652

- ITEM NRS./MATERIAL :**
- ① SHELL = BRIGHT TINPLATED STEEL
  - ② HOUSING = GLASSFILLED POLYESTER, COLOR : BLACK
  - ③ CONTACTS = PHOSPHORBRONZE (PLATING : SEE TABLE ABOVE)
  - ④ FEMALE SCREWLOCK = TINPLATED STEEL (INNER THREAD 4-40 UNC OR M3)
  - ⑤ BUSHING = TINPLATED STEEL (INNER THREAD 4-40 UNC OR M3 OR 3,1 DIA. THROUGHHOLE)
  - ⑥ BOARDLOCK = TINPLATED PHOSPHORBRONZE
  - ⑦ STAND OFF = ULTRAMID V0 COLOR : BLACK

THIS DRAWING IS A CONTROLLED DOCUMENT.		DWN	01JUL97	 Tyco Electronics Corporation s-HertogenBosch, Nederland,
DIMENSIONS: MM		CHK	095EP97	
TOLERANCES UNLESS OTHERWISE SPECIFIED:		APVD	095EP97	
0 PLC ± - 1 PLC ± - 2 PLC ± - 3 PLC ± - 4 PLC ± - ANGLES ± -		NAME	E.LEIJTENS	
MATERIAL		FINISH	-	PRODUCT SPEC APPLICATION SPEC WEIGHT CUSTOMER DRAWING
		SCALE	NTS	SIZE A2 CAGE CODE 00779 DRAWING NO. C=338315 RESTRICTED TO - SHEET 1 OF 1 REV F