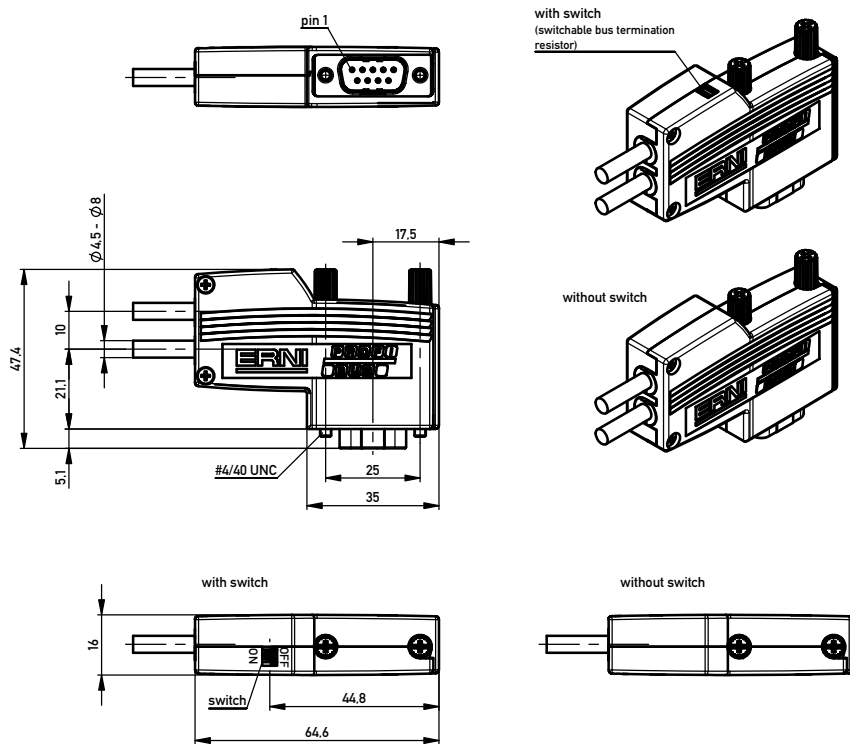
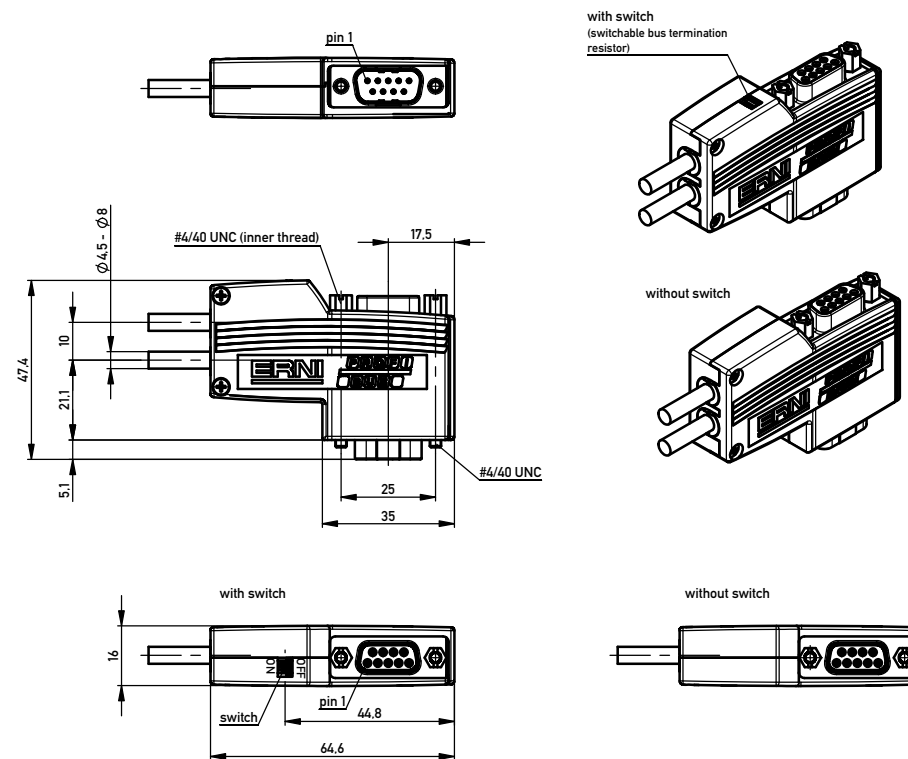


ERbic Profibus, horizontal



ERbic Profibus with PU interface, horizontal



104050	Switch	without	Screw clamp 4 pin	pebble grey	A- and B Line	#4-40 UNC
174048			Spring clamp 4 pin			
144037			IDC terminal 2x2 pin			
134728			Screw clamp 4 pin			
103648			Screw clamp 4 pin			
103649	Termination		Screw clamp 2 pin	yellow		
Part number	Type	Programming interface (PU)	Cable termination	Colour	Signals / Power supply	Fastening screw thread

366326	Switch	with	Screw clamp 4 pin	light grey	A- and B Line	#4-40 UNC
174049			Spring clamp 4 pin	pebble grey		
144536			IDC terminal 2x2 pin			
144475			Screw clamp 4 pin			
103663			Node	Screw clamp 4 pin		
104329	Termination	Screw clamp 2 pin				
Part number	Type	Programming interface (PU)	Cable termination	Colour	Signals / Power supply	Fastening screw thread

Notes:

1. Operating temperature: -20°C / +70°C
2. Protection class: IP40
3. Sealing plate: Drawing number 103356.

Information:	Tolerances	Scale 1:1	All Dimensions in mm	
All rights reserved. Only for Information. To ensure that this is the latest version of this drawing, please contact one of the ERNI companies before using.		Subject to modification without prior notice. Drawing will not be updated.		Designation
www.ERNI.com		ERbic horizontal Profibus		I A2
www.ERNI.com		General plan		
Index		Date		Class ERBIC

Mouser Electronics

Authorized Distributor

Click to View Pricing, Inventory, Delivery & Lifecycle Information:

[TE Connectivity:](#)

[103648](#) [103649](#) [104329](#) [103648-E](#) [103649-E](#) [104329-E](#)