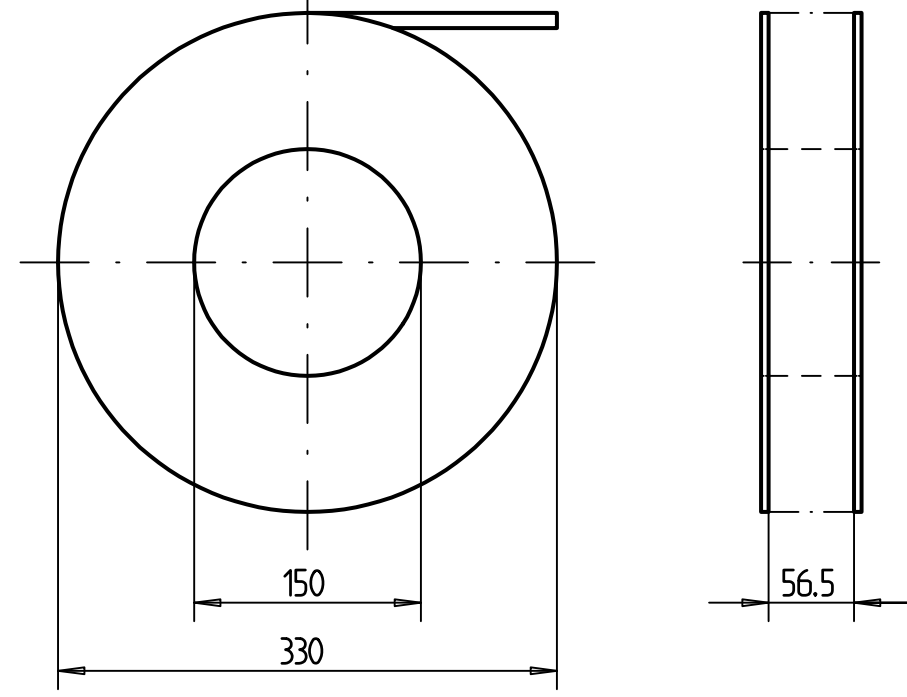
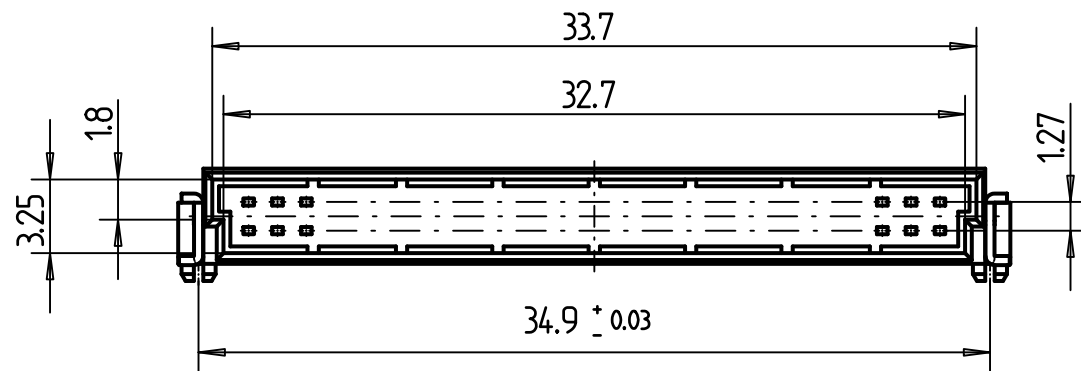
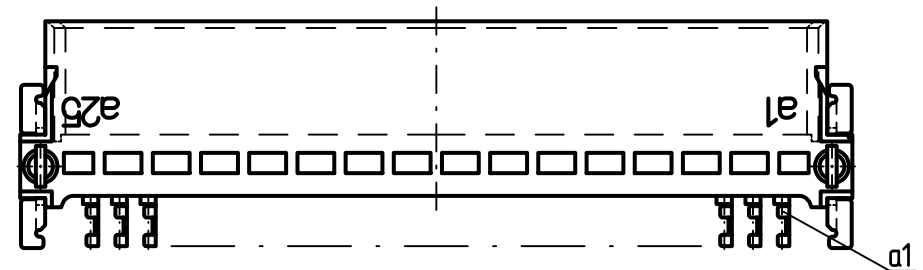
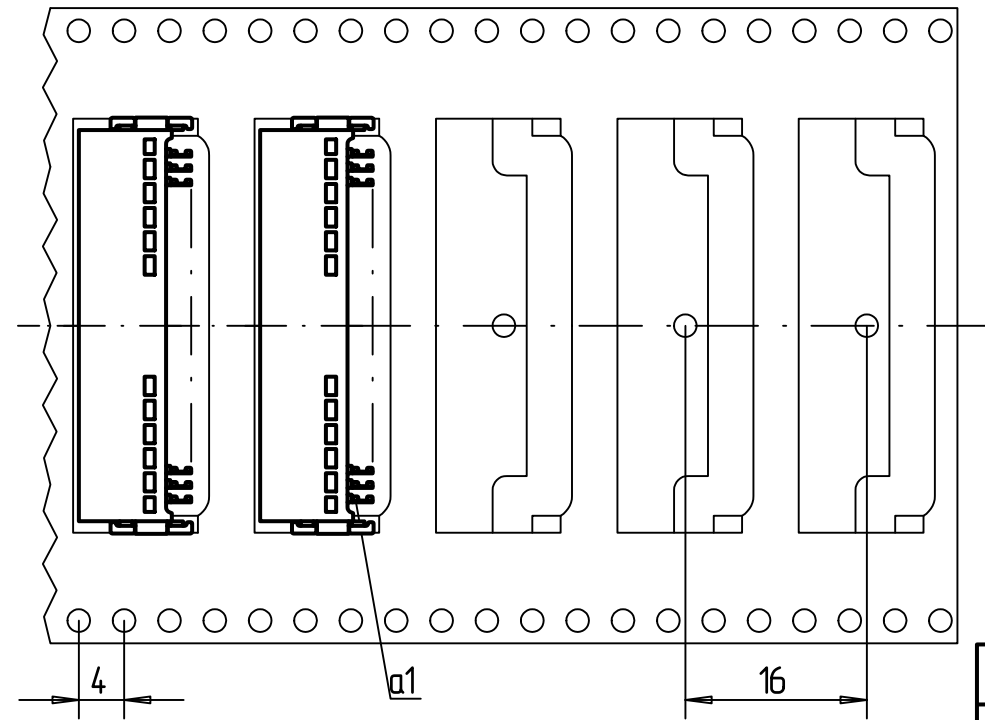
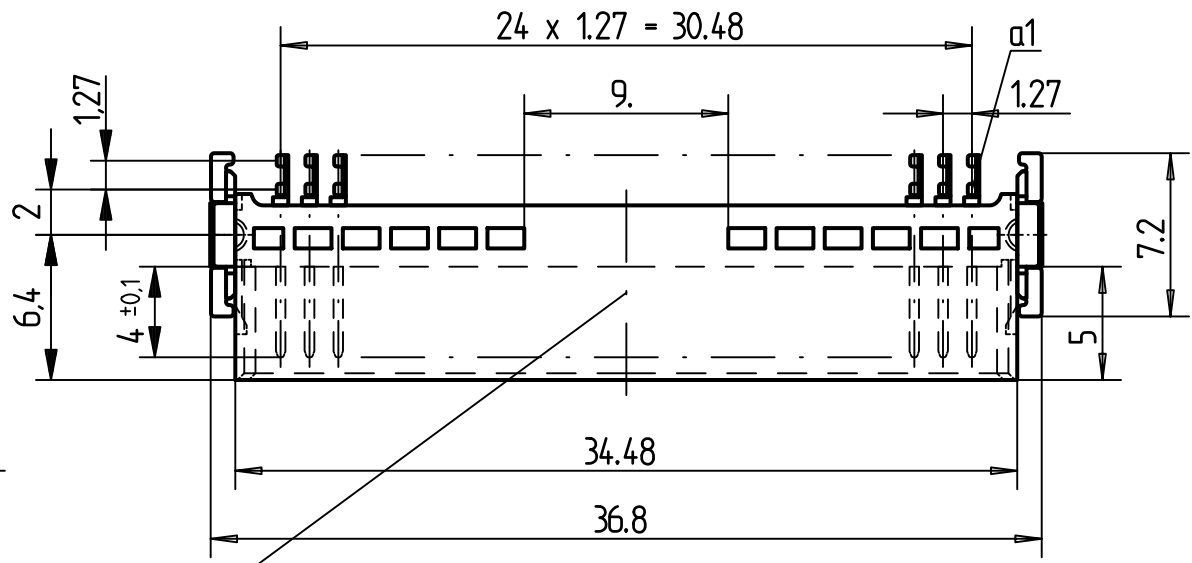
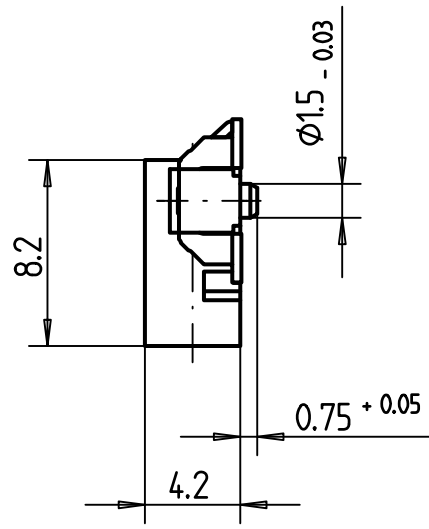


Verpackt in Gurtverpackung - Tape on Reel Packaging  
 Verpackungseinheit: 560 Stück - Packaging unit: 560 pcs

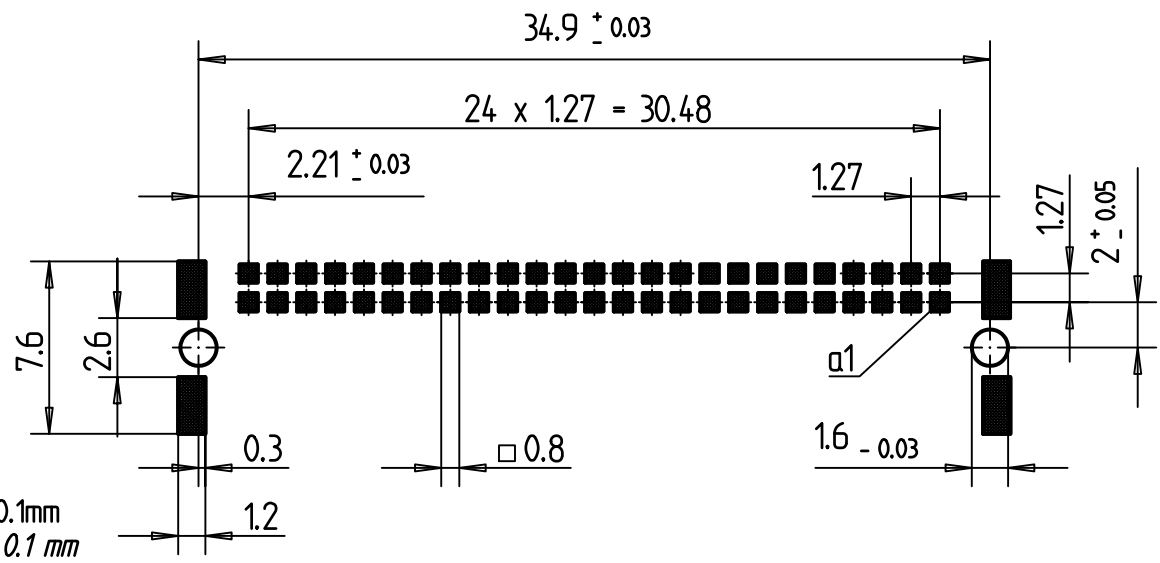


Abspulrichtung - Reel off Direction



Fläche für Saugpipette  
 Area for Pipette

Leiterplatten-Layout Vorschlag für SMT  
 PCB-Layout Proposal for SMT



Anforderungsstufe 1  
 Performance Level 1  
 Kontaktbereich vergoldet  
 Mating Area gold plating  
 Anschlussbereich verzinkt 4-6 µm  
 Terminal Area 4-6 µm tin plating  
 Koplantariet der Anschluesse ≤ 0.1mm  
 Coplanarity Area of Termination ≤ 0.1 mm

Standard Bauhöhe  
 Standard Assembly Height

Information:  All rights reserved. Only for information. To insure that this is the latest version of this drawing, please contact one of the ERNI companies before using.	Tolerances  All Dimensions in mm	Scale 3:1	Designation <b>Messerleiste SMC-B, 50 polig</b> <b>Male Conn. SMC-B, 50 contacts</b>
	www.ERNI.com	054596	
q Index	10.02.2011 Date	M:00070553.SZA	SMCB

Consider protection memo from DIN 34

# Mouser Electronics

Authorized Distributor

Click to View Pricing, Inventory, Delivery & Lifecycle Information:

[TE Connectivity:](#)

[054596](#) [054596-E](#)