

## RSF50 SERIES

### COMPACT INTERNAL FITTING VERTICAL



RSF50 series are compact vertically mounted devices with a single switch point. Mounting is either from the top or bottom of a tank from the inside, so requires access to the inside of the tank.

Typical applications include vending machines, printing systems and chemical dosing equipment.

These can be manufactured in a variety of plastics, with a choice of gasket materials, to suit most commonly used liquids.

The switch action may be reversed by removing the float, inverting it, then refitting to the stem.

Available with M12 x 1.75 or 1/8" NPT mounting threads.

#### Features

- Compact design
- Available in Nylon, Polypropylene, PPS & PVDF
- 25VA & 100VA versions
- Many variants are UL recognised components File No. E171218
- WRAS and NSF approved versions
- 1/8" NPT and M12 thread options

## SPECIFICATIONS

### Technical

|                                | RSF53    | RSF54                          | RSF58                        | RSF56                           | RSF57                             |
|--------------------------------|----------|--------------------------------|------------------------------|---------------------------------|-----------------------------------|
| <b>Material</b>                | Nylon    | Polypropylene<br>WRAS approved | Polypropylene<br>UL approved | Polyphenylene<br>Sulphide (PPS) | Polyvinylidene<br>Fluoride (PVDF) |
| <b>Colour</b>                  | Black    | Opaque                         | White                        | Grey                            | Green                             |
| <b>Temp. Range</b>             | °C<br>°F | -20/+75                        | -20/+100                     | -20/+100                        | -10/+120*                         |
|                                |          | -4/+167                        | -4/+212                      | -4/+212                         | +14/+248*                         |
| <b>Min. Fluid SG</b>           | 0.8      | 0.65                           | 0.65                         | 0.85                            | 0.85                              |
| <b>Must Close Level (SG=1)</b> | 11.5mm   | 15mm                           | 15mm                         | 9.5mm                           | 9.5mm                             |
| <b>Must Open Level (SG=1)</b>  | 22.5mm   | 26mm                           | 26mm                         | 20.5mm                          | 20.5mm                            |

\* Maximum temperature requires ETFE cable to be specified, otherwise +105°C.

## Electrical

|                                 |    | <b>25W<br/>(Y code)</b> | <b>100W<br/>(H code)</b> |
|---------------------------------|----|-------------------------|--------------------------|
| <b>Contact Form</b>             |    | N/O (N/C)               | N/O (N/C)                |
| <b>Switching Power Max</b>      | VA | 25                      | 100                      |
| <b>Switching Voltage AC Max</b> | V  | 240                     | 300                      |
| <b>Switching Voltage DC Max</b> | V  | 120                     | 300                      |
| <b>Switching Current Max</b>    | A  | 0.6                     | 1                        |

All ratings are for resistive load only.

## STANDARD PARTS

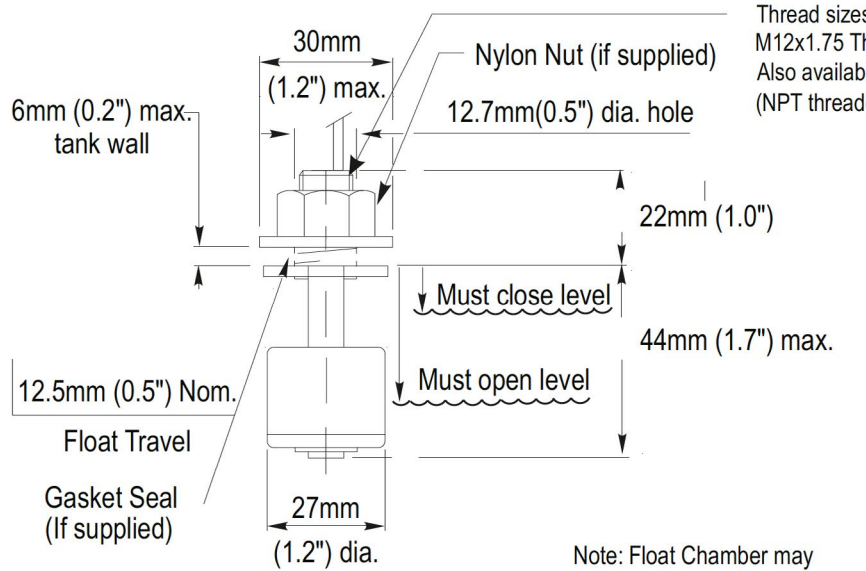
|                      | <b>Material</b> | <b>Temp Range</b> | <b>Max Power</b> | <b>Mounting Thread</b> | <b>Leadouts</b>  | <b>Gasket</b> | <b>Approvals</b> |
|----------------------|-----------------|-------------------|------------------|------------------------|------------------|---------------|------------------|
| <b>RSF53H100RC</b>   | Nylon           | -20°C to +75°C    | 100VA            | M12                    | 100cm PVC 16/0.2 | Nitrile       | WRAS             |
| <b>RSF53H100R1/8</b> | Nylon           | -20°C to +75°C    | 100VA            | 1/8" NPT               | 100cm PVC 16/0.2 | N/A           | WRAS             |
| <b>RSF53Y100RC</b>   | Nylon           | -20°C to +75°C    | 25VA             | M12                    | 100cm PVC 16/0.2 | Nitrile       | WRAS             |
| <b>RSF53Y100R1/8</b> | Nylon           | -20°C to +75°C    | 25VA             | 1/8" NPT               | 100cm PVC 16/0.2 | N/A           | WRAS             |
| <b>RSF54H100RC</b>   | PP              | -20°C to +100°C   | 100VA            | M12                    | 100cm PVC 16/0.2 | Nitrile       | WRAS & NSF       |
| <b>RSF54H100R1/8</b> | PP              | -20°C to +100°C   | 100VA            | 1/8" NPT               | 100cm PVC 16/0.2 | N/A           | WRAS & NSF       |
| <b>RSF54Y100RC</b>   | PP              | -20°C to +100°C   | 25VA             | M12                    | 100cm PVC 16/0.2 | Nitrile       | WRAS & NSF       |
| <b>RSF54Y100R1/8</b> | PP              | -20°C to +100°C   | 25VA             | 1/8" NPT               | 100cm PVC 16/0.2 | N/A           | WRAS & NSF       |
| <b>RSF56H050TB</b>   | PPS             | -10°C to +120°C   | 100VA            | M12                    | 50cm ETFE 19/0.2 | Viton         | UL & NSF         |
| <b>RSF56H100RC</b>   | PPS             | -10°C to +105°C   | 100VA            | M12                    | 100cm PVC 16/0.2 | Nitrile       | WRAS, UL & NSF   |
| <b>RSF56H100R1/8</b> | PPS             | -10°C to +105°C   | 100VA            | 1/8" NPT               | 100cm PVC 16/0.2 | N/A           | WRAS, UL & NSF   |
| <b>RSF56Y050TB</b>   | PPS             | -10°C to +120°C   | 25VA             | M12                    | 50cm ETFE 19/0.2 | Viton         | UL & NSF         |
| <b>RSF56Y050T1/8</b> | PPS             | -10°C to +120°C   | 25VA             | 1/8" NPT               | 50cm ETFE 19/0.2 | N/A           | WRAS, UL & NSF   |
| <b>RSF56Y100TB</b>   | PPS             | -10°C to +120°C   | 25VA             | M12                    | 50cm ETFE 19/0.2 | Viton         | UL & NSF         |
| <b>RSF56Y100RC</b>   | PPS             | -10°C to +105°C   | 25VA             | M12                    | 100cm PVC 16/0.2 | Nitrile       | WRAS, UL & NSF   |
| <b>RSF56Y100R1/8</b> | PPS             | -10°C to +105°C   | 25VA             | 1/8" NPT               | 100cm PVC 16/0.2 | N/A           | WRAS, UL & NSF   |
| <b>RSF57H100GC</b>   | PVDF            | -10°C to +105°C   | 100VA            | M12                    | 100cm PTFE7/0.2  | Nitrile       | UL & NSF         |
| <b>RSF57H100G1/8</b> | PVDF            | -10°C to +105°C   | 100VA            | 1/8" NPT               | 100cm PTFE7/0.2  | N/A           | UL & NSF         |
| <b>RSF57Y100GC</b>   | PVDF            | -10°C to +105°C   | 25VA             | M12                    | 100cm PTFE7/0.2  | Nitrile       | UL & NSF         |
| <b>RSF57Y100G1/8</b> | PVDF            | -10°C to +105°C   | 25VA             | 1/8" NPT               | 100cm PTFE7/0.2  | N/A           | UL & NSF         |
| <b>RSF57H100GB</b>   | PVDF            | -10°C to +105°C   | 100VA            | M12                    | 100cm PTFE7/0.2  | Viton         | UL & NSF         |
| <b>RSF57Y100GB</b>   | PVDF            | -10°C to +105°C   | 25VA             | M12                    | 100cm PTFE7/0.2  | Viton         | UL & NSF         |
| <b>RSF58H100RC</b>   | PP (UL)         | -20°C to +100°C   | 100VA            | M12                    | 100cm PVC 16/0.2 | Nitrile       | UL               |
| <b>RSF58H100R1/8</b> | PP (UL)         | -20°C to +100°C   | 100VA            | 1/8" NPT               | 100cm PVC 16/0.2 | N/A           | UL               |
| <b>RSF58Y100RC</b>   | PP (UL)         | -20°C to +100°C   | 25VA             | M12                    | 100cm PVC 16/0.2 | Nitrile       | UL               |
| <b>RSF58Y100R1/8</b> | PP (UL)         | -20°C to +100°C   | 25VA             | 1/8" NPT               | 100cm PVC 16/0.2 | N/A           | UL               |

Custom versions can be made for particular applications. Please contact Sensata with your requirements.



## DIMENSIONS

All dimensions are in millimeters.



Note: Float Chamber may be inverted for alternative switch action.

Made in the UK

Page 3

Sensata Technologies, Inc. ("Sensata") data sheets are solely intended to assist designers ("Buyers") who are developing systems that incorporate Sensata products (also referred to herein as "components"). Buyer understands and agrees that Buyer remains responsible for using its independent analysis, evaluation and judgment in designing Buyer's systems and products. Sensata data sheets have been created using standard laboratory conditions and engineering practices. Sensata has not conducted any testing other than that specifically described in the published documentation for a particular data sheet. Sensata may make corrections, enhancements, improvements and other changes to its data sheets or components without notice.

Buyers are authorized to use Sensata data sheets with the Sensata component(s) identified in each particular data sheet. HOWEVER, NO OTHER LICENSE, EXPRESS OR IMPLIED, BY ESTOPPEL OR OTHERWISE TO ANY OTHER SENSATA INTELLECTUAL PROPERTY RIGHT, AND NO LICENSE TO ANY THIRD PARTY TECHNOLOGY OR INTELLECTUAL PROPERTY RIGHT, IS GRANTED HEREIN. SENSATA DATA SHEETS ARE PROVIDED "AS IS". SENSATA MAKES NO WARRANTIES OR REPRESENTATIONS WITH REGARD TO THE DATA SHEETS OR USE OF THE DATA SHEETS, EXPRESS, IMPLIED OR STATUTORY, INCLUDING ACCURACY OR COMPLETENESS. SENSATA DISCLAIMS ANY WARRANTY OF TITLE AND ANY IMPLIED WARRANTIES OF MERCHANTABILITY, FITNESS FOR A PARTICULAR PURPOSE, QUIET ENJOYMENT, QUIET POSSESSION, AND NON-INFRINGEMENT OF ANY THIRD PARTY INTELLECTUAL PROPERTY RIGHTS WITH REGARD TO SENSATA DATA SHEETS OR USE THEREOF.

All products are sold subject to Sensata's terms and conditions of sale supplied at [www.sensata.com](http://www.sensata.com) SENSATA ASSUMES NO LIABILITY FOR APPLICATIONS ASSISTANCE OR THE DESIGN OF BUYERS' PRODUCTS. BUYER ACKNOWLEDGES AND AGREES THAT IT IS SOLELY RESPONSIBLE FOR COMPLIANCE WITH ALL LEGAL, REGULATORY AND SAFETY-RELATED REQUIREMENTS CONCERNING ITS PRODUCTS, AND ANY USE OF SENSATA COMPONENTS IN ITS APPLICATIONS, NOTWITHSTANDING ANY APPLICATIONS-RELATED INFORMATION OR SUPPORT THAT MAY BE PROVIDED BY SENSATA.

Mailing Address: Sensata Technologies, Inc., 529 Pleasant Street, Attleboro, MA 02703, USA.

## CONTACT US

+44 (0)1202 897969  
c3w\_sales@sensata.com  
Cynergy3 Components Ltd.  
7 Cobham Road,  
Ferndown Industrial Estate,  
Wimborne, Dorset,  
BH21 7PE, United Kingdom

# Mouser Electronics

Authorized Distributor

Click to View Pricing, Inventory, Delivery & Lifecycle Information:

## Sensata:

[RSF53Y100RC](#) [RSF54Y100R1/8](#) [RSF53Y100R1/8](#) [RSF56Y050TB](#) [RSF56Y100RC](#) [RSF56Y100R1/8](#)  
[RSF58H100RC](#) [RSF58Y100R1/8](#) [RSF58Y100RC](#) [RSF57H100GB](#) [RSF57H100GC](#) [RSF57Y100G1/8](#) [RSF57Y100GB](#)  
[RSF57Y100GC](#) [RSF58H100R1/8](#) [RSF54Y100RC](#) [RSF56H050TB](#) [RSF56H100R1/8](#) [RSF56H100RC](#)  
[RSF56Y100TB](#) [RSF57H100G1/8](#) [RSF53H100R1/8](#) [RSF53H100RC](#) [RSF54H100R1/8](#) [RSF54H100RC](#)