



2SB778

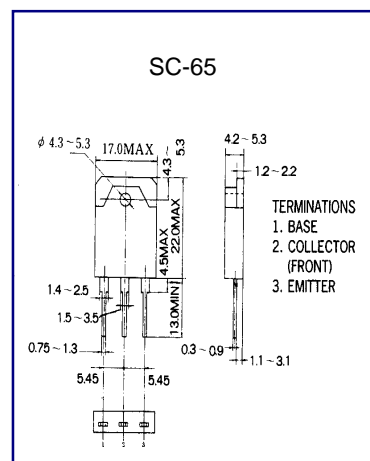
PNP PLANAR SILICON TRANSISTOR

**AUDIO POWER AMPLIFIER
DC TO DC CONVERTER**

- High Current Capability
- High Power Dissipation

ABSOLUTE MAXIMUM RATING (T_A=25°C)

Characteristic	Symbol	Rating	Unit
Collector-Base Voltage	V _{CB0}	-120	V
Collector-Emitter Voltage	V _{CE0}	-120	V
Emitter-Base voltage	V _{EB0}	-6	V
Collector Current (DC)	I _C	-10	A
Collector Dissipation	P _C	80	W
Junction Temperature	T _j	150	°C
Storage Temperature	T _{stg}	-55~150	°C



ELECTRICAL CHARACTERISTICS (T_A=25°C)

Characteristic	Symbol	Test Condition	Min	Typ	Max	Unit
Collector Base Breakdown Voltage	BV _{CB0}	I _C =-5 mA I _E =0	-120			V
Collector Emitter Breakdown Voltage	BV _{CE0}	I _C =-10 mA R _{BE} =∞	-120			V
Emitter Base Breakdown Voltage	BV _{EB0}	I _E =-5mA I _C =0	-6			V
Collector Cutoff Current	I _{CB0}	V _{CB} =-60V I _E =0			-0.1	mA
Emitter Cutoff Current	I _{EB0}	V _{EB} =-4V I _C =0			-0.1	mA
*DC Current Gain	h _{FE1}	V _{CE} =-5V I _C =-1A	55	120	160	
DC Current Gain	h _{FE2}	V _{CE} =-5V I _C =-2A				
Collector- Emitter Saturation Voltage	V _{CE(sat)}	I _C =-3A I _B =-0.3A			-1.5	V