

CUC-V14-F1ZNI-EM/R40 - Panel mounting frames

1413963

<https://www.phoenixcontact.com/us/products/1413963>

Please be informed that the data shown in this PDF document is generated from our online catalog. Please find the complete data in the user documentation. Our general terms of use for downloads are valid.



RJ45 panel mounting frame, IP67, for push-pull interlocking, metal, for PCB connection, for square panel cutout, with grommet and mounting screws

Commercial data

Item number	1413963
Packing unit	1 pc
Minimum order quantity	1 pc
Sales key	AB17
Product key	ABNODC
Catalog page	Page 364 (C-2-2017)
GTIN	4055626082202
Weight per piece (including packing)	25.4 g
Weight per piece (excluding packing)	25.4 g
Customs tariff number	85389099
Country of origin	PL

Technical data

Notes

General	This product corresponds to the PROFINET Cabling and Interconnection Technology Guideline for PROFINET regulations, version 2.00, order no: 2.252, Chapter 8.2 Connectors for Outside Environment (Balanced cabling) and chapter 13 Application specific Cabling and Interconnection Technology (AIDA)
---------	--

Product properties

Product type	Panel mounting frame
Type	RJ45
Number of positions	8
Connection profile	RJ45
Type	RJ45

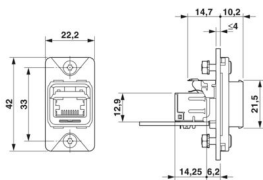
Insulation characteristics

Degree of pollution	2
---------------------	---

Electrical properties

Transmission medium	Copper
---------------------	--------

Dimensions

Dimensional drawing	
Width	22.2 mm
Height	42 mm
Length	25 mm

Material specifications

Material	Metal
Flammability rating according to UL 94	V0
Seal material	NBR NBR
Housing material	Metal
Housing surface material	nickel-plated

Environmental and real-life conditions

Ambient conditions

Degree of protection	IP65/IP67
----------------------	-----------

CUC-V14-F1ZNI-EM/R4O - Panel mounting frames



1413963

<https://www.phoenixcontact.com/us/products/1413963>

Ambient temperature (operation)	-40 °C ... 70 °C
Ambient temperature (storage/transport)	-40 °C ... 70 °C
Ambient temperature (assembly)	-5 °C ... 55 °C

CUC-V14-F1ZNI-EM/R4O - Panel mounting frames

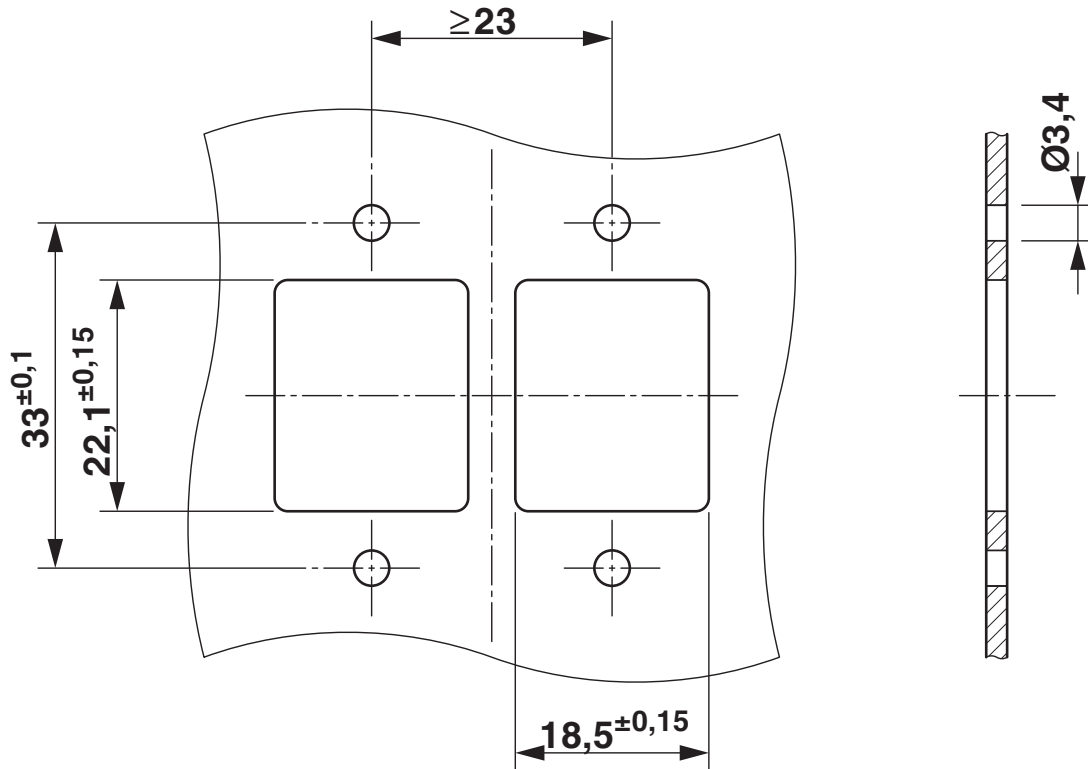
1413963

<https://www.phoenixcontact.com/us/products/1413963>



Drawings

Drilling plan/solder pad geometry



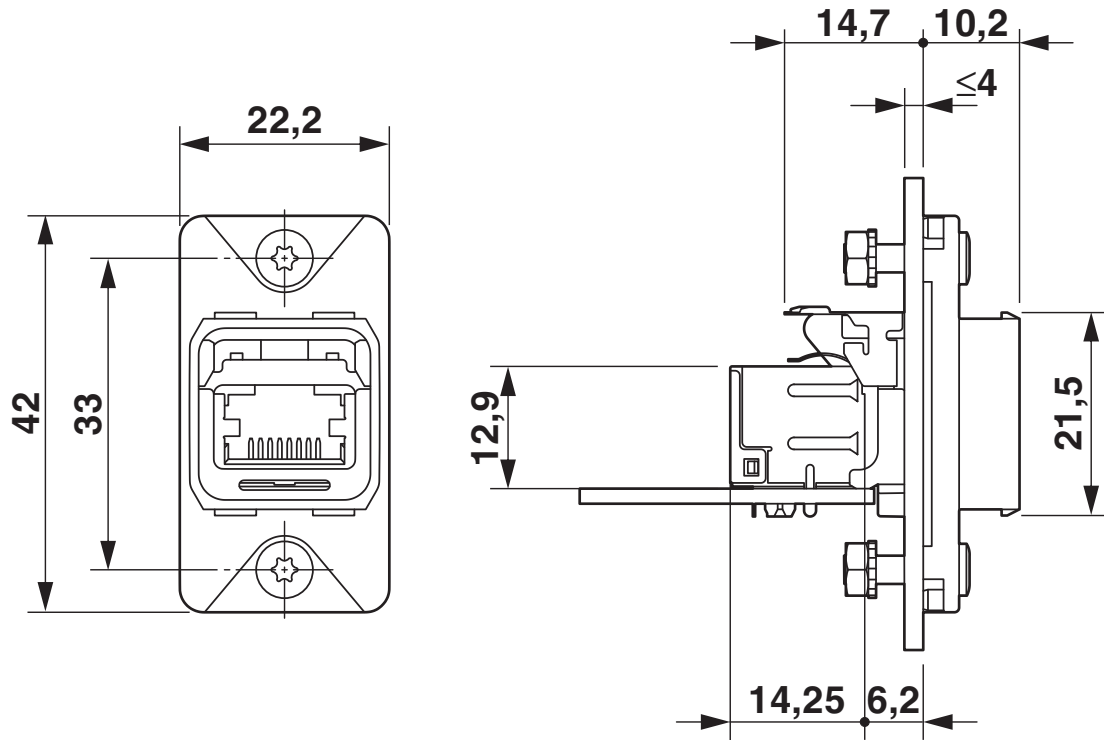
CUC-V14-F1ZNI-EM/R40 - Panel mounting frames



1413963

<https://www.phoenixcontact.com/us/products/1413963>

Dimensional drawing



CUC-V14-F1ZNI-EM/R4O - Panel mounting frames



1413963

<https://www.phoenixcontact.com/us/products/1413963>

Classifications

ECLASS

ECLASS-11.0	27440210
ECLASS-12.0	27440210
ECLASS-13.0	27440210

ETIM

ETIM 9.0	EC002310
----------	----------

UNSPSC

UNSPSC 21.0	39121400
-------------	----------

CUC-V14-F1ZNI-EM/R4O - Panel mounting frames



1413963

<https://www.phoenixcontact.com/us/products/1413963>

Environmental product compliance

EU RoHS

Fulfills EU RoHS substance requirements	Yes, No exemptions
---	--------------------

China RoHS

Environment friendly use period (EFUP)	EFUP-E
	No hazardous substances above the limits

EU REACH SVHC

REACH candidate substance (CAS No.)	6,6'-di-tert-butyl-2,2'-methylenedi-p-cresol(CAS: 119-47-1)
SCIP	3ccb872c-94cc-41a6-8ac5-bd9310c64df0

CUC-V14-F1ZNI-EM/R4O - Panel mounting frames

1413963

<https://www.phoenixcontact.com/us/products/1413963>



Accessories

CUC-V14-A-SCREW-M3:20 - Panel mounting frames

1413987

<https://www.phoenixcontact.com/us/products/1413987>

Screw set, M3 for panel mounting frames



CUC-V14-C1ZNI-S/R4P8 - RJ45 connector

1422664

<https://www.phoenixcontact.com/us/products/1422664>

RJ45 connector, degree of protection: IP65/IP67, number of positions: 8, 1 Gbps, CAT5, material: Metal, connection method: IDC fast connection, connection cross section: AWG 23- 22, cable outlet: straight, Ethernet



CUC-V14-F1ZNI-EM/R40 - Panel mounting frames



1413963

<https://www.phoenixcontact.com/us/products/1413963>

CUC-V14-C1ZNI-B/R4P8 - RJ45 connector

1422665

<https://www.phoenixcontact.com/us/products/1422665>



RJ45 connector, degree of protection: IP65/IP67, number of positions: 8, 1 Gbps, CAT5, material: Metal, connection method: IDC fast connection, connection cross section: AWG 23- 22, cable outlet: angled, Ethernet

CUC-V14-C1ZNI-T/R4P8 - RJ45 connector

1422667

<https://www.phoenixcontact.com/us/products/1422667>



RJ45 connector, degree of protection: IP65/IP67, number of positions: 8, 1 Gbps, CAT5, material: Metal, connection method: IDC fast connection, connection cross section: AWG 23- 22, cable outlet: angled, Ethernet

CUC-V14-F1ZNI-EM/R40 - Panel mounting frames

1413963

<https://www.phoenixcontact.com/us/products/1413963>



CUC-V14-A1PBK-PC - Panel mounting frames

1413970

<https://www.phoenixcontact.com/us/products/1413970>

Panel mounting frames, degree of protection: IP65/IP67



CUC-V14-A1RBK-PC - Panel mounting frames

1413985

<https://www.phoenixcontact.com/us/products/1413985>

Panel mounting frames, degree of protection: IP65



CUC-V14-F1ZNI-EM/R40 - Panel mounting frames

1413963

<https://www.phoenixcontact.com/us/products/1413963>



CUC-V14-A1ZNI-R45 - Panel mounting frames

1413988

<https://www.phoenixcontact.com/us/products/1413988>

45° adapter for panel mounting frames



CUC-V14-A1ZNI-S180 - Panel mounting frames

1413989

<https://www.phoenixcontact.com/us/products/1413989>

Spacer for panel mounting frames



CUC-V14-F1ZNI-EM/R40 - Panel mounting frames

1413963

<https://www.phoenixcontact.com/us/products/1413963>



CUC-V14-A3ST-SR - Panel mounting frames

1413990

<https://www.phoenixcontact.com/us/products/1413990>



Panel mounting frames, degree of protection: IP65/IP67, material: Stainless steel

CUC-V14-A1PBK-BA:50 - Panel mounting frames

1413979

<https://www.phoenixcontact.com/us/products/1413979>



Holder for marking element

CUC-V14-F1ZNI-EM/R4O - Panel mounting frames



1413963

<https://www.phoenixcontact.com/us/products/1413963>

VS-08-BU-RJ45-10G/LH-1 - RJ45 PCB connectors

1420401

<https://www.phoenixcontact.com/us/products/1420401>



RJ45 PCB connectors, design: RJ45, degree of protection: IP20, number of positions: 8, 10 Gbps, material: Plastic, connection method: THT wave, cable outlet: straight

Phoenix Contact 2024 © - all rights reserved

<https://www.phoenixcontact.com>

Phoenix Contact USA
586 Fulling Mill Road
Middletown, PA 17057, United States
(+717) 944-1300
info@phoenixcon.com