

ACPP Precision Surface Mount Passivated Resistors



- Precision thin film technology
- Extended ohmic range 10R – 1M5
- Precision to $\pm 0.1\%$ and 15ppm/ $^{\circ}\text{C}$
- Passivated range for superior humidity performance
- RoHS Compliant



Characteristics

Tolerance (Code): $\pm 0.1\%$ (B), $\pm 0.25\%$ (C), $\pm 0.5\%$ (D)
 Operating temperature: -55°C to $+155^{\circ}\text{C}$
 Temperature coefficient: $\pm 15\text{ppm}/^{\circ}\text{C}$, $\pm 25\text{ppm}/^{\circ}\text{C}$, $\pm 50\text{ppm}/^{\circ}\text{C}$
 Overload: $\leq \pm 0.2\%$, $\leq \pm 0.1\%$ (ACPP0402), RCWV*2.5 or maximum overload voltage (whichever is lowest) for 2 seconds
 Thermal shock: $\leq \pm 0.02\%$, $\leq \pm 0.1\%$ (ACPP0402), -55°C $+150^{\circ}\text{C}$ 100 cycles
 Endurance: $\leq \pm 0.05\%$, $\leq \pm 0.25\%$ (ACPP0402), $70 \pm 2^{\circ}\text{C}$, RCWV for 1000 hours with 1.5 hours on and 0.5 hours off
 Humidity: $\leq \pm 0.05\%$, $\leq \pm 0.5\%$ (ACPP0402), 1000 hours at $40 \pm 2^{\circ}\text{C}$, 90-95% R.H with 1.5 hours on and 0.5 hours off

Electrical Specifications

Type	Wattage	Maximum operating voltage	Maximum overload voltage	TCR ppm/ $^{\circ}\text{C}$	Ohmic value range
ACPP0402	0.0625	25V	50V	± 15	49R9 - 12K
				± 25	24R9 - 24K9
ACPP0603	0.0625	50V	100V	± 15	24R9 - 332K
				± 25	
				± 50	
ACPP0805	0.1	100V	200V	± 15	10R - 1M
				± 25	
				± 50	
ACPP1206	0.125	150V	300V	± 15	10R - 1M
				± 25	
				± 50	
ACPP2010	0.25	150V	300V	± 15	24R9 - 1M
				± 25	10R - 1M5
				± 50	
ACPP2512	0.5	150V	300V	± 15	24R9 - 1M
				± 25	10R - 1M5
				± 50	

ARCOL UK Limited,
 Threemilestone Ind. Estate,
 Truro, Cornwall, TR4 9LG, UK.
 T +44 (0) 1872 277431
 F +44 (0) 1872 222002
 E sales@arcolresistors.com

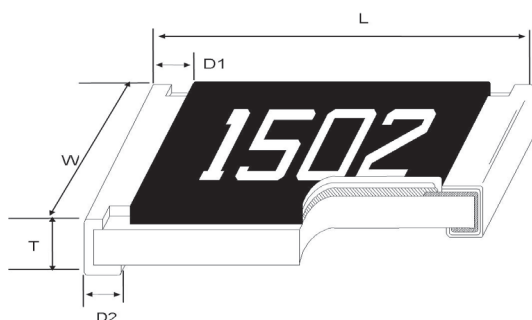
The information contained herein does not form part of a contract and is subject to change without notice. ARCOL operate a policy of continual product development, therefore, specifications may change.

It is the responsibility of the customer to ensure that the component selected from our range is suitable for the intended application. If in doubt please ask ARCOL.

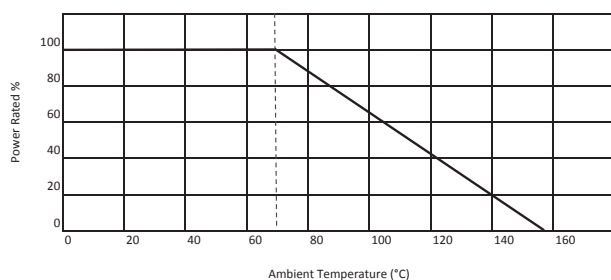
For more information and ordering, please consult
www.arcolresistors.com

Dimensions (mm)

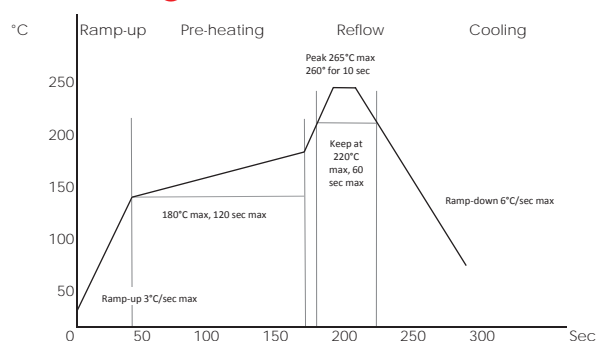
Series	L	W	T	D1	D2
ACPP0402	1.00 ± 0.05	0.50 ± 0.05	0.30 ± 0.05	0.20 ± 0.10	0.20 ± 0.10
ACPP0603	1.55 ± 0.10	0.80 ± 0.10	0.45 ± 0.10	0.30 ± 0.20	0.30 ± 0.20
ACPP0805	2.00 ± 0.15	1.25 ± 0.15	0.55 ± 0.10	0.30 ± 0.20	0.40 ± 0.20
ACPP1206	3.05 ± 0.15	1.55 ± 0.15	0.55 ± 0.10	0.42 ± 0.20	0.35 ± 0.20
ACPP2010	4.90 ± 0.15	2.40 ± 0.15	0.55 ± 0.10	0.60 ± 0.30	0.50 ± 0.20
ACPP2512	6.30 ± 0.15	3.10 ± 0.15	0.55 ± 0.10	0.60 ± 0.30	0.50 ± 0.20



Derating Curve



Soldering Curve



Ordering Procedure

Standard Resistor: Series, Resistance Value, Tolerance, TCR
 .i.e: ACPP0603 100K B 15PPM

ARCOL UK Limited,
 Threemilestone Ind. Estate,
 Truro, Cornwall, TR4 9LG, UK.
 T +44 (0) 1872 277431
 F +44 (0) 1872 222002
 E sales@arcolresistors.com

www.arcolresistors.com

The information contained herein does not form part of a contract and is subject to change without notice. ARCOL operate a policy of continual product development, therefore, specifications may change.

It is the responsibility of the customer to ensure that the component selected from our range is suitable for the intended application. If in doubt please ask ARCOL.

Mouser Electronics

Authorized Distributor

Click to View Pricing, Inventory, Delivery & Lifecycle Information:

Ohmite:

[ACPP0805 7K5 B](#) [ACPP0603 10K B](#) [ACPP0805 2K4 B](#) [ACPP0603 1K1 B](#) [ACPP0603 51R B](#) [ACPP0603 68R B](#)
[ACPP0805 1K B](#) [ACPP0805 6K2 B](#) [ACPP0603 120R B](#) [ACPP0805 5K6 B](#) [ACPP0805 62R B](#) [ACPP0603 16K B](#)
[ACPP0603 470R B](#) [ACPP0805 27R B](#) [ACPP0805 56R B](#) [ACPP0805 82R B](#) [ACPP0603 200R B](#) [ACPP0805 3K3 B](#)
[ACPP0805 4K3 B](#) [ACPP0603 2K4 B](#) [ACPP0805 3K9 B](#) [ACPP0805 12K B](#) [ACPP0805 100R B](#) [ACPP0805 51R B](#)
[ACPP0603 1K6 B](#) [ACPP0603 360R B](#) [ACPP0805 1K1 B](#) [ACPP0603 18K B](#) [ACPP0805 270R B](#) [ACPP0805 20K B](#)
[ACPP0805 220R B](#) [ACPP0805 68R B](#) [ACPP0603 130R B](#) [ACPP0603 270R B](#) [ACPP0805 1K8 B](#) [ACPP0805 2K7 B](#)
[ACPP0603 15K B](#) [ACPP0805 120R B](#) [ACPP0603 4K7 B](#) [ACPP0805 300R B](#) [ACPP0805 3K6 B](#) [ACPP0805 18K B](#)
[ACPP0805 360R B](#) [ACPP0805 510R B](#) [ACPP0805 820R B](#) [ACPP0805 390R B](#) [ACPP0603 33R B](#) [ACPP0805 2K B](#)
[ACPP0603 82R B](#) [ACPP0603 3K9 B](#) [ACPP0603 2K B](#) [ACPP0805 30R B](#) [ACPP0805 680R B](#) [ACPP0603 1K5 B](#)
[ACPP0805 39R B](#) [ACPP0603 680R B](#) [ACPP0805 11K B](#) [ACPP0805 1K3 B](#) [ACPP0805 3K B](#) [ACPP0603 3K6 B](#)
[ACPP0805 10K B](#) [ACPP0805 330R B](#) [ACPP0805 36R B](#) [ACPP0603 30R B](#) [ACPP0805 24K B](#) [ACPP0603 330R B](#)
[ACPP0805 180R B](#)