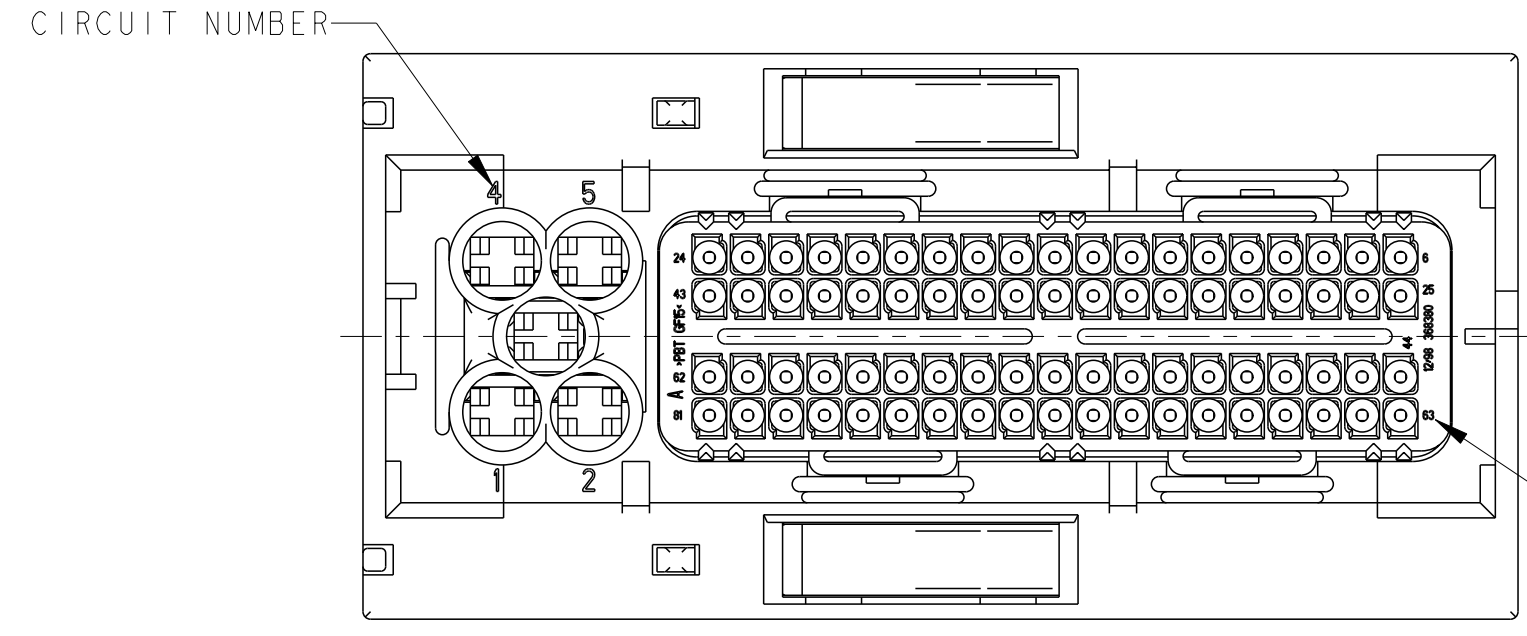
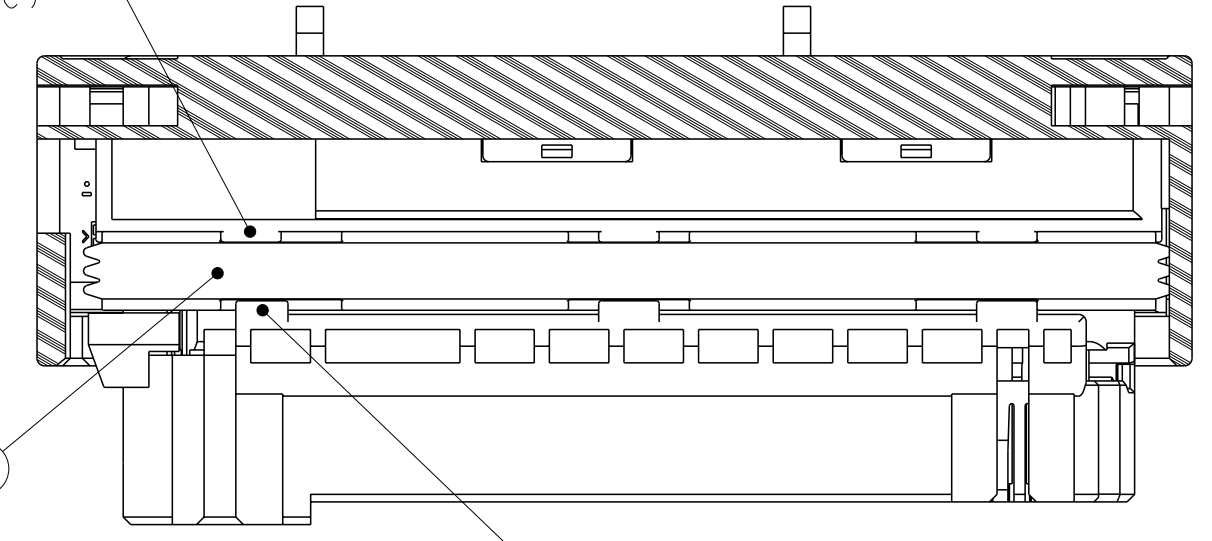


THIS DRAWING IS UNPUBLISHED. RELEASED FOR PUBLICATION 20
 © COPYRIGHT 20 ALL RIGHTS RESERVED.

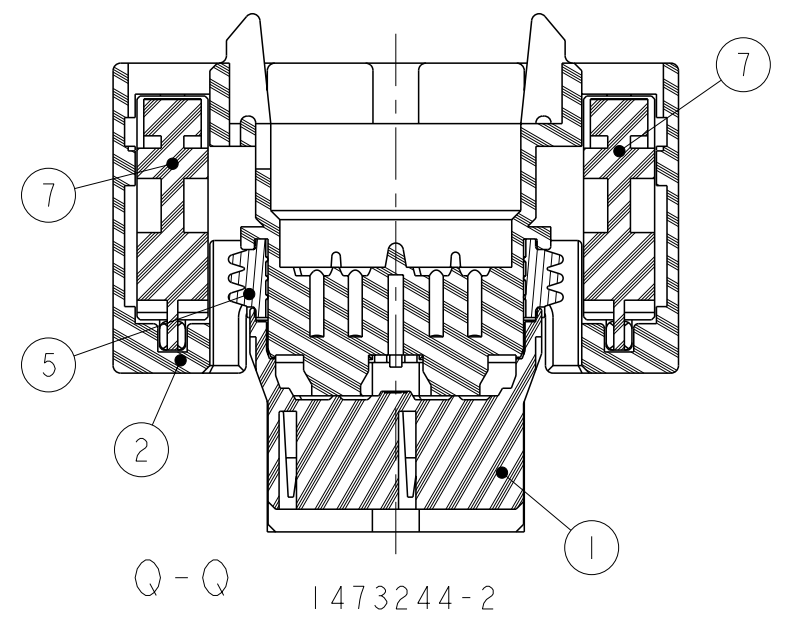
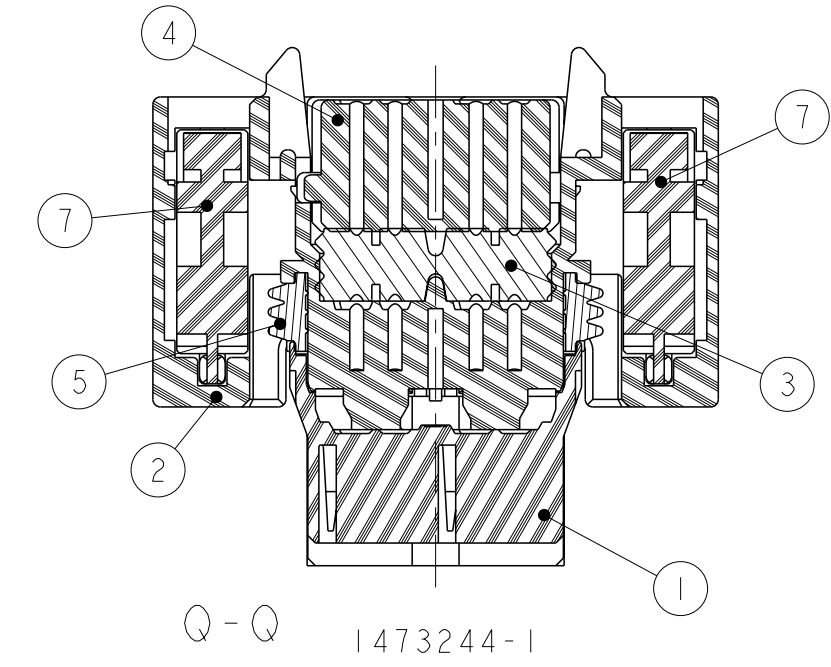
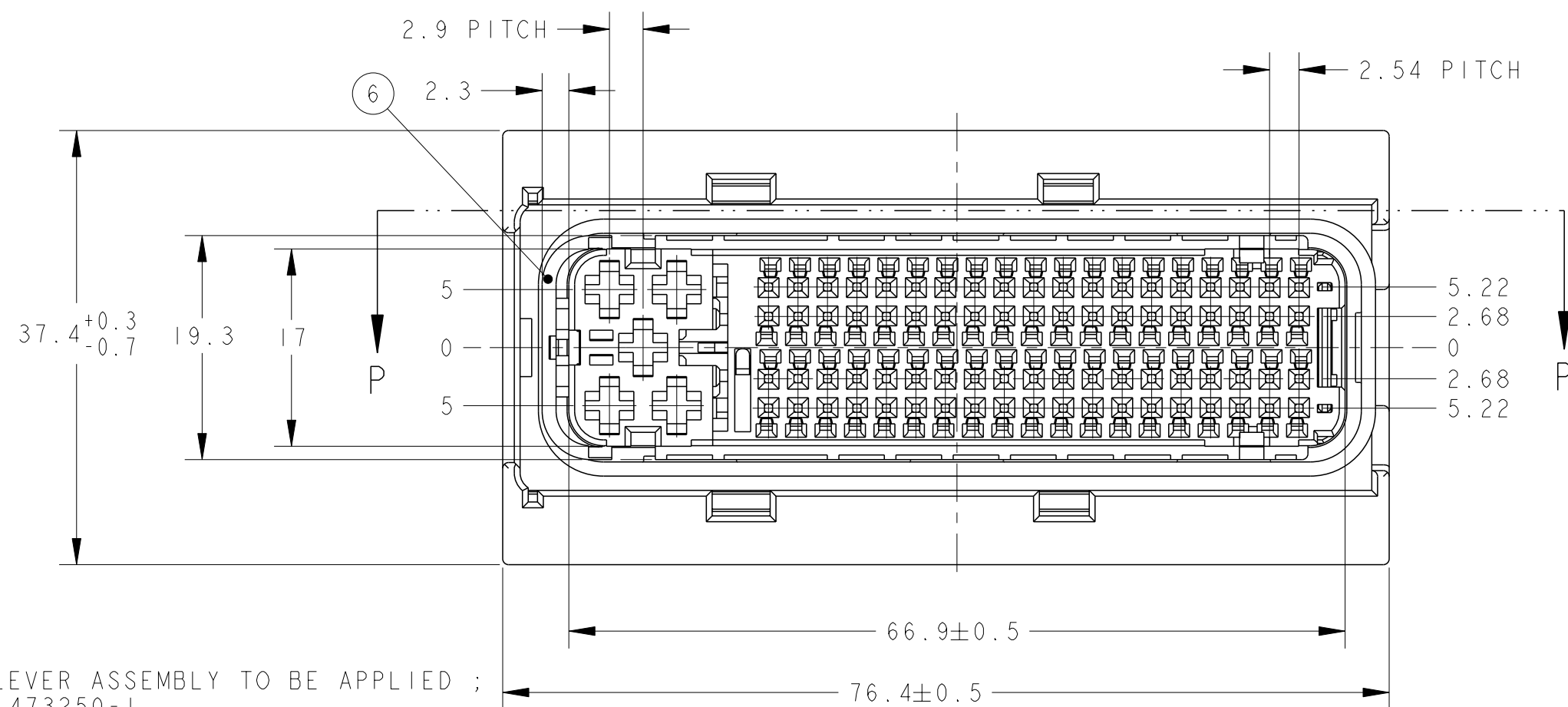
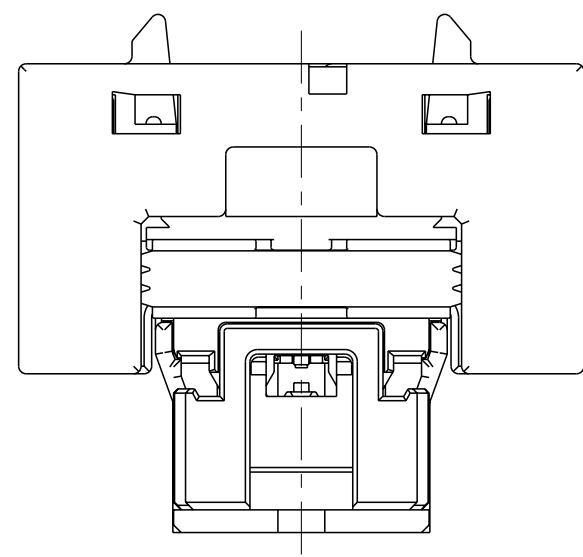
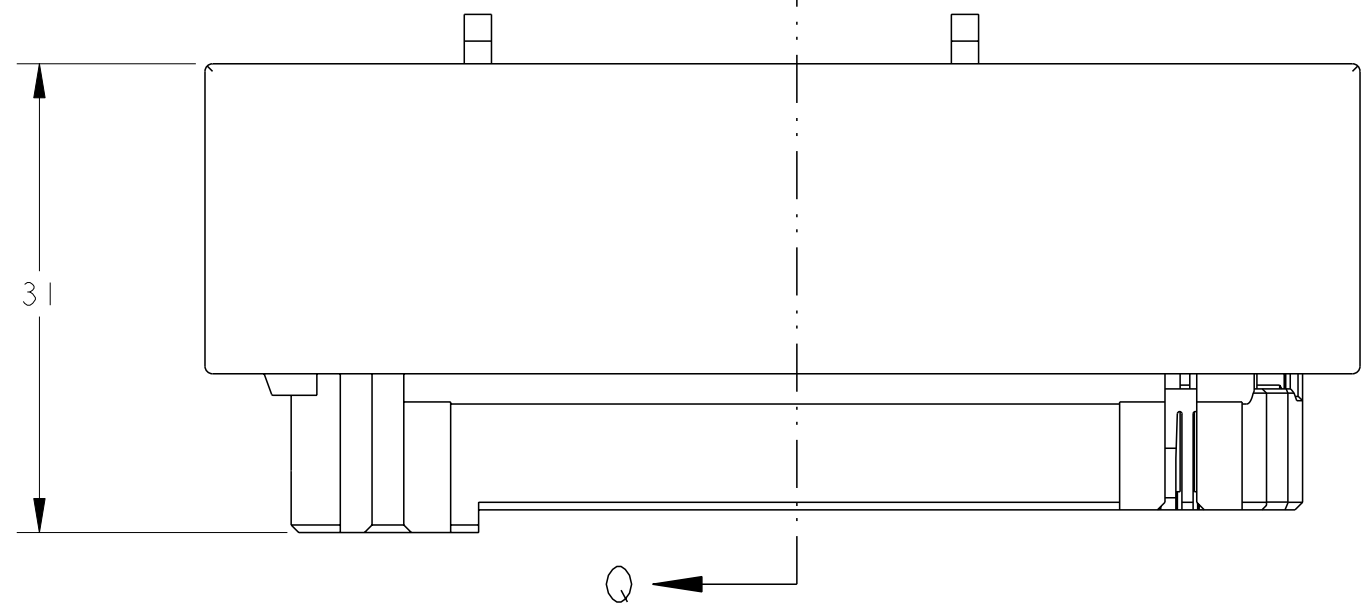
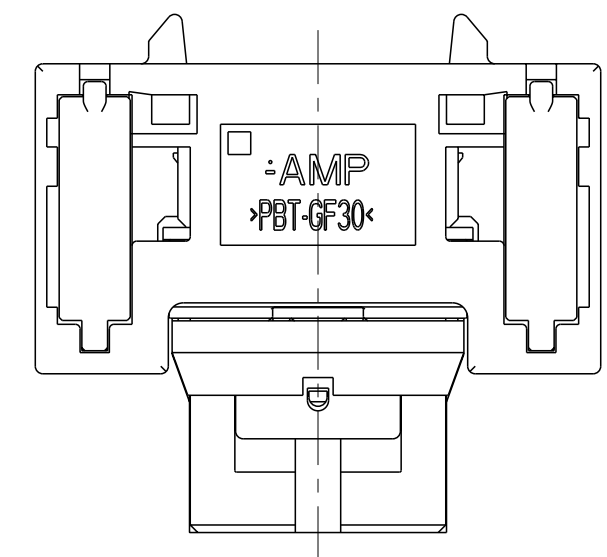
REVISONS					
REV	DESCRIPTION	ECN	DATE	DWN	APVD
B4	REVISED PER ECO-11-005140		05APR2011	RK	HMR
B5	REVISED	ECR-18-012136	31JUL2018	TS	HY



BOSS OF MAIN CAVITY BLOCK.
IT HOLD A PERIPHERAL SEAL.
(8PLC)



BOSS OF FRONT CAVITY BLOCK.
IT HOLD A PERIPHERAL SEAL.
(6PLC)



- PART NUMBER OF LEVER ASSEMBLY TO BE APPLIED ; P/N 1473247-1, 1473250-1
- PART NUMBER OF MQS RETAINER TO BE APPLIED ; P/N 368382-1
- APPLIED TERMINAL ; SEE TABLE-1
- PART NUMBER OF CAP HOUSING TO BE MATED ; P/N 1241434-1
- INSTRUCTION SHEET NO ; 411-78008

- 適用レバーアッセンブリ型番は、P/N 1473247-1, 1473250-1
- 適用MQSリテーナ型番は、P/N 368382-1
- 適用端子はTABLE-1参照
- 嵌合相手型番は、P/N 1241434-1
- 取扱説明書 NO ; 411-78008

TABLE-1

CONTACT	MQS		JPT		
PART NUMBER	968220-1	968221-1	964282-2	964286-2	964273-2
WIRE SIZE (mm ²)	0.5	0.75	0.2~0.5	0.5~1.0	>1.0~2.5

SEE DRAWING 1473244-3	2	2	PA66	SLIDER	BLACK	7
	1	1	PBT	JPT RETAINER	YELLOW	6
	1	1	SILICONE	PERIPHERAL SEAL	ORANGE	5
	-	1	PBT	SEAL RETAINER	BLACK	4
	-	1	SILICONE	76POS FAMILY SEAL	ORANGE	3
	1	1	PBT	MAIN CAVITY BLOCK	BLACK	2
	1	1	PA66	FRONT CAVITY BLOCK	BLACK	1
	-3	-2	-1	MATERIAL	PART NAME	FINISH/COLOR NO

THIS DRAWING IS A CONTROLLED DOCUMENT.

DWN Y. KAWAHARA 10OCT2001
 CHK N. SAI 10OCT2001
 APVD K. SHIMIZU 10OCT2001

TE Connectivity

PLUG HOUSING ASSY
SEALED 8IPOS. PLUG HSG MQS CLEAN BODY/JPT

PRODUCT SPEC 108-5793
 APPLICATION SPEC 114-18021,114-18050

WEIGHT 46.5g

SCALE 2:1 SHEET 1 OF 1 REV B5

Mouser Electronics

Authorized Distributor

Click to View Pricing, Inventory, Delivery & Lifecycle Information:

[TE Connectivity:](#)

[1473244-1](#)