

## 4CH HIGH-CURRENT DARLINGTON SINK DRIVER

The TD62064P/AP/F/AF and TD62074P/AP/F/AF are high-voltage, high-current darlington drivers comprised of four NPN darlington pairs.

All units feature integral clamp diodes for switching inductive loads and all units of TD62074P/AP/F/AF feature uncommitted collectors and emitters for isolated darlington applications.

For proper operation, the substrate (SUB) must be connected to the most negative voltage.

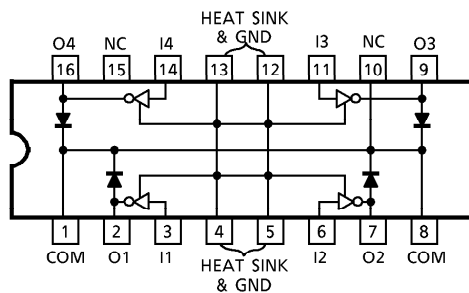
Applications include relay, hammer, lamp and stepping moter drivers.

### FEATURES

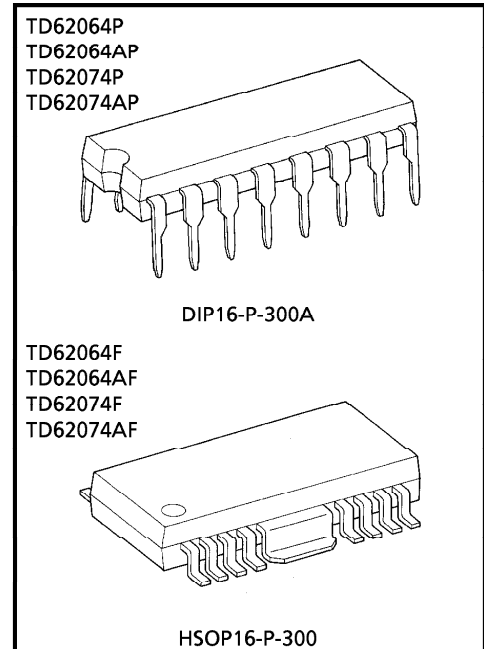
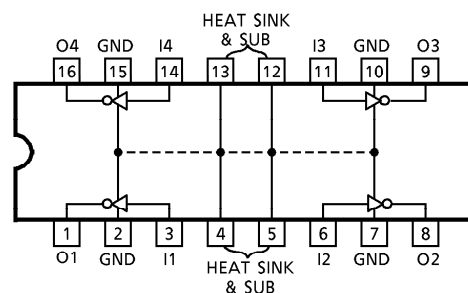
- Output current (single output) 1.5A (Max.)
- High sustaining voltage output  
35V (Min.) (TD62064P/F, 074P/F)  
50V (Min.) (TD62064AP/AF, 074AP/AF)
- Output clamp diodes : TD62064P/AP/F/AF
- Isolated darlington array : TD62074P/AP/F/AF
- Input compatible with TTL and 5V CMOS
- GND and SUB terminal = heat sink
- Package type-P, AP : DIP-16pin
- Package type-F, AF : HSOP-16pin

### PIN CONNECTION (TOP VIEW)

TD62064P/AP



TD62074P/AP

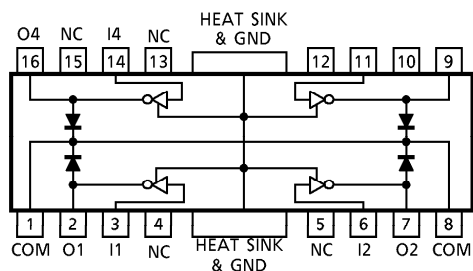


Weight DIP16-P-300A : 1.11g (Typ.)  
HSOP16-P-300 : 0.50g (Typ.)

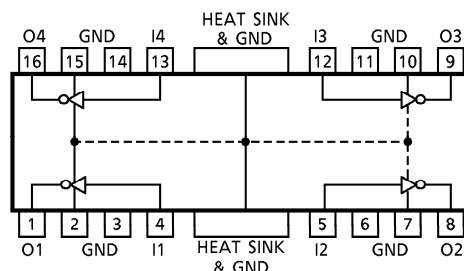
© The information contained herein is presented only as a guide for the applications of our products. No responsibility is assumed by TOSHIBA CORPORATION for any infringements of intellectual property or other rights of the third parties which may result from its use. No license is granted by implication of otherwise under any intellectual property or other rights of TOSHIBA CORPORATION or others.

© These TOSHIBA products are intended for use in general commercial applications (office equipment, communication equipment, measuring equipment, domestic appliances, etc.). please make sure that you consult with us before you use these TOSHIBA products in equipment which requires extraordinarily high quality and/or reliability, and in equipment which may involve life threatening or critical application, including but not limited to such uses as atomic energy control, airplane or spaceship instrumentation, traffic signals, medical instrumentation, combustion control, all types of safety devices, etc. TOSHIBA cannot accept and hereby disclaims liability for any damage which may occur in case the TOSHIBA products are used in such equipment or applications without prior consultation with TOSHIBA.

TD62064F / AF

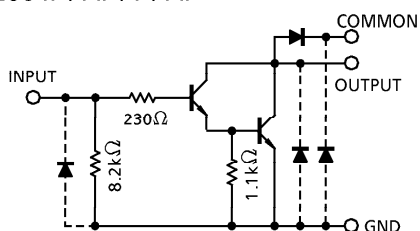


TD62074F / AF

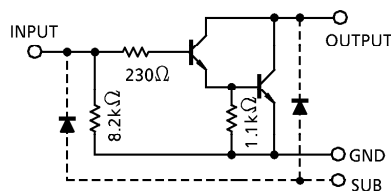


**SCHEMATICS (EACH DRIVER)**

TD62064P / AP / F / AF



TD62074P / AP / F / AF



(Note) The input and output parasitic diodes cannot be used as clamp diodes.

**MAXIMUM RATINGS (Ta = 25°C)**

CHARACTERISTIC	SYMBOL	RATING	UNIT
Output Sustaining Voltage	P, F	- 0.5~35	V
	AP, AF	- 0.5~50	
Output Current	I <sub>OUT</sub>	1.5	A / ch
Input Current	I <sub>IN</sub>	50	mA
Input Voltage	V <sub>IN</sub>	- 0.5~17	V
Clamp Diode Reverse Voltage	P, F	35	V
	AP, AF	50	
Clamp Diode Forward Current	I <sub>F</sub> (Note 1)	1.5	A / ch
Isolated Voltage	P, F	35	V
	AP, AF	50	
Power Dissipation	P, AP	1.47 / 2.7 (Note 3)	W
	F, AF	0.9 / 1.4 (Note 4)	
Operating Temperature	T <sub>opr</sub>	- 40~85	°C
Storage Temperature	T <sub>stg</sub>	- 55~150	°C

(Note 1) TD62064P / AP / F / AF

(Note 2) TD62074P / AP / F / AF

(Note 3) On Glass Epoxy (50 × 50 × 1.6mm Cu 50%)

(Note 4) On Glass Epoxy (60 × 30 × 1.6mm Cu 30%)

**RECOMMENDED OPERATING CONDITIONS** ( $T_a = -40 \sim 85^\circ\text{C}$ )

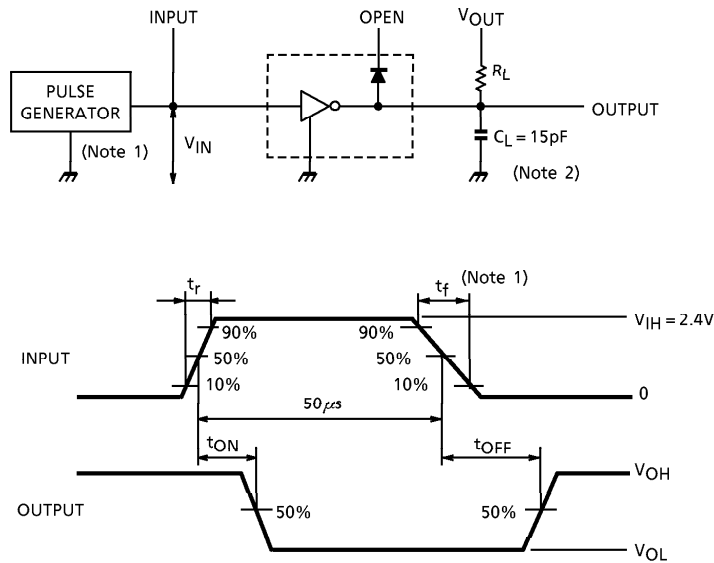
CHARACTERISTIC		SYMBOL	TEST CONDITION	MIN.	TYP.	MAX.	UNIT	
Output Sustaining Voltage	P, F	$V_{CE(SUS)}$		0	—	35	V	
	AP, AF			0	—	50		
Output Current	P, AP (Note 1)	$I_{OUT}$	DC1 Circuit, $T_a = 25^\circ\text{C}$	0	—	1250	mA / ch	
			$T_{pw} = 25\text{ms}$	Duty = 10%	0	—		1250
	4 Circuits		Duty = 50%	0	—	390		
	$T_j = 120^\circ\text{C}$		Duty = 10%	0	—	907		
	F, AF (Note 2)		$T_a = 85^\circ\text{C}$	Duty = 50%	0	—	172	
Input Voltage		$V_{IN}$		0	—	8	V	
	(Output On)	$V_{IN(ON)}$	$I_{OUT} = 1.25\text{A}$	2.5	—	8	V	
	(Output Off)	$V_{IN(OFF)}$		0	—	0.4	V	
Input Current		$I_{IN}$		0	—	20	mA	
Clamp Diode Reverse Voltage	P, F	$V_R$	TD62064P / AP / F / AF	0	—	35	V	
	AP, AF			0	—	50		
Clamp Diode Forward Current		$I_F$		—	—	1.25	A	
Isolation Voltage	P, F	$V_{SUB}$	TD62074P / AP / F / AF	—	—	35	V	
	AP, AF			—	—	50		
Power Dissipation	P, AP	$P_D$	$T_a = 85^\circ\text{C}$ (Note 1)	—	—	1.4	W	
	F, AF		$T_a = 85^\circ\text{C}$ (Note 2)	—	—	0.7		

(Note 1) On Glass Epoxy (50 × 50 × 1.6mm Cu 50%)

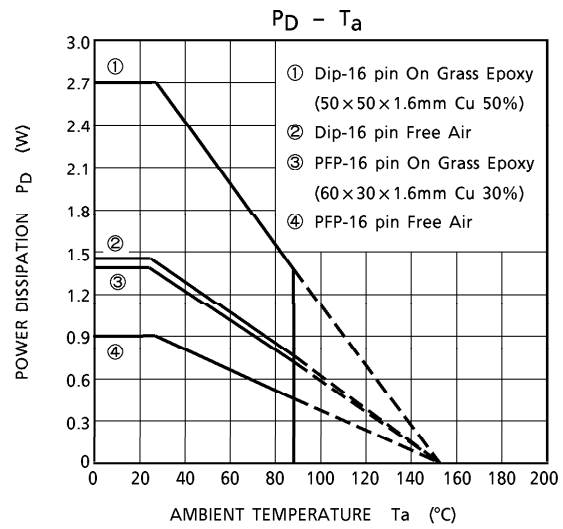
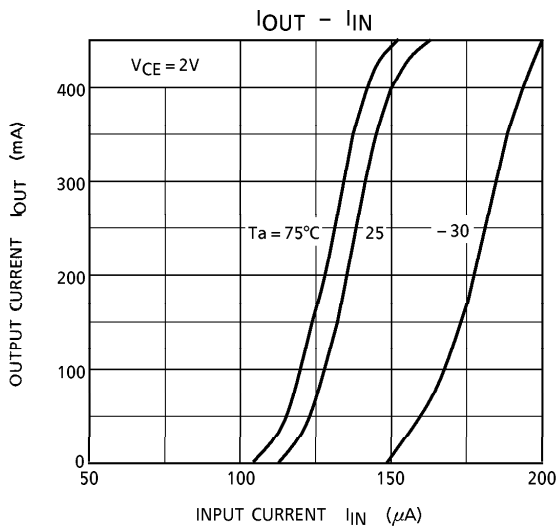
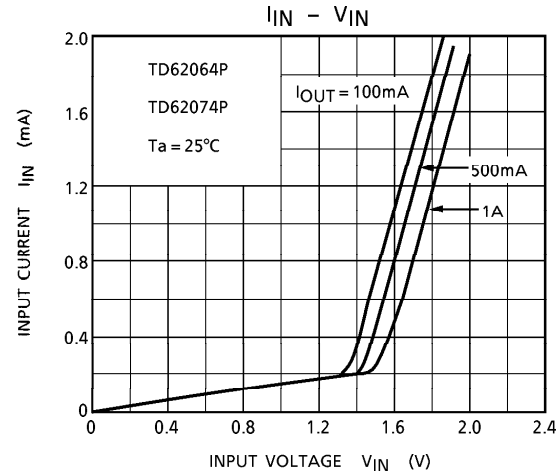
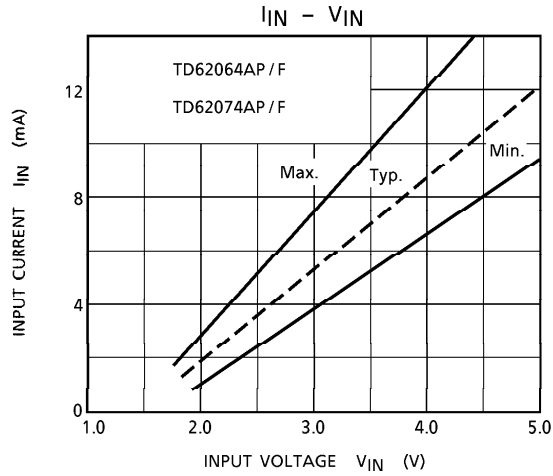
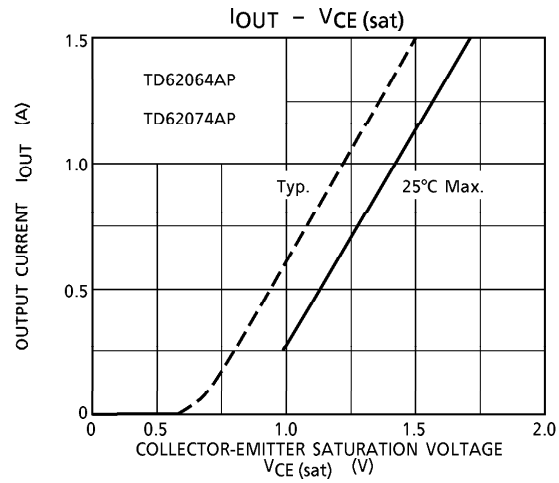
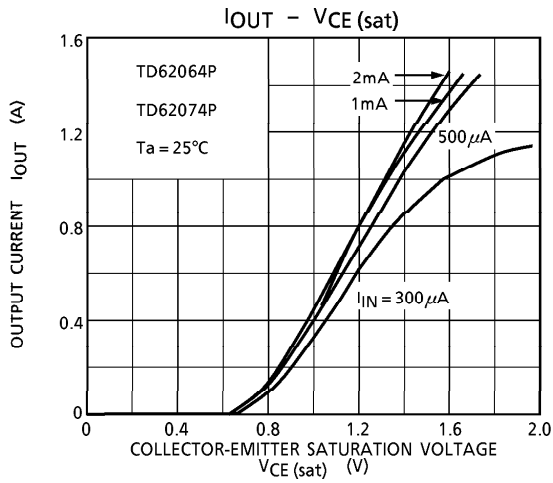
(Note 2) On Glass Epoxy (60 × 30 × 1.6mm Cu 30%)

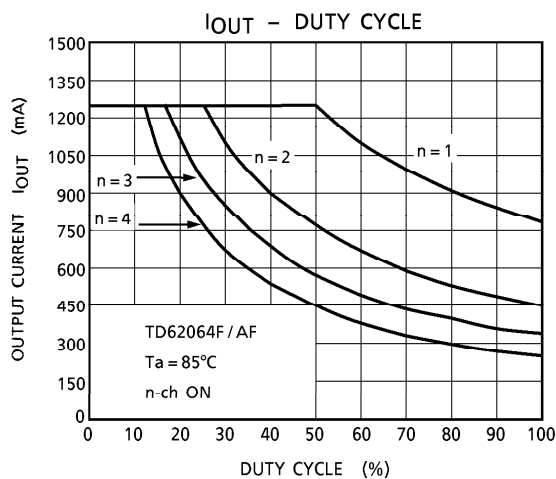
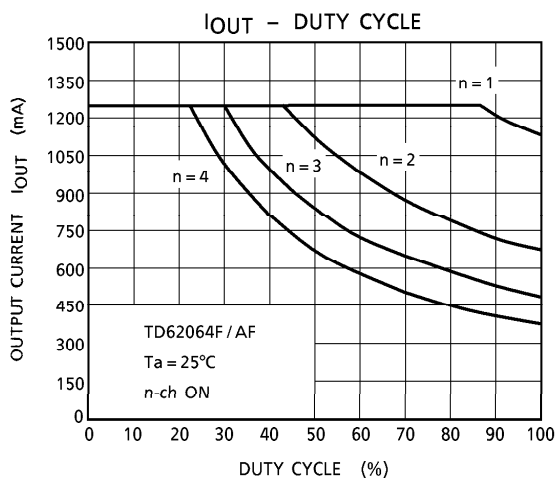
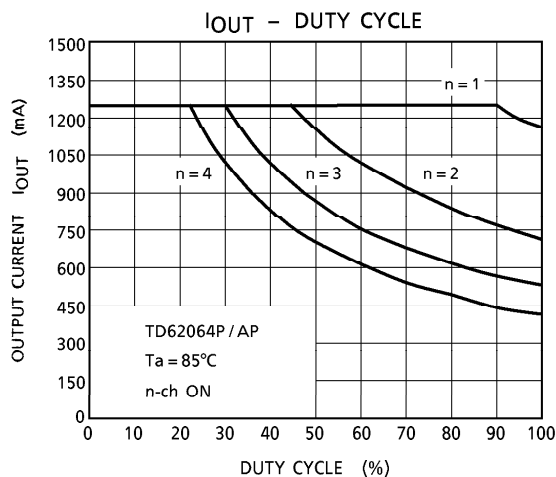
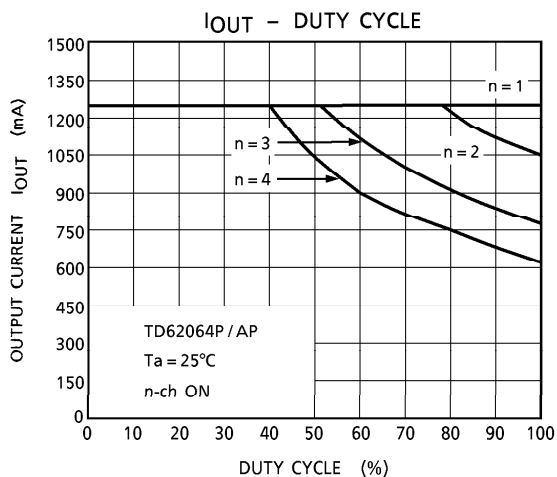


7.  $t_{ON}$ ,  $t_{OFF}$



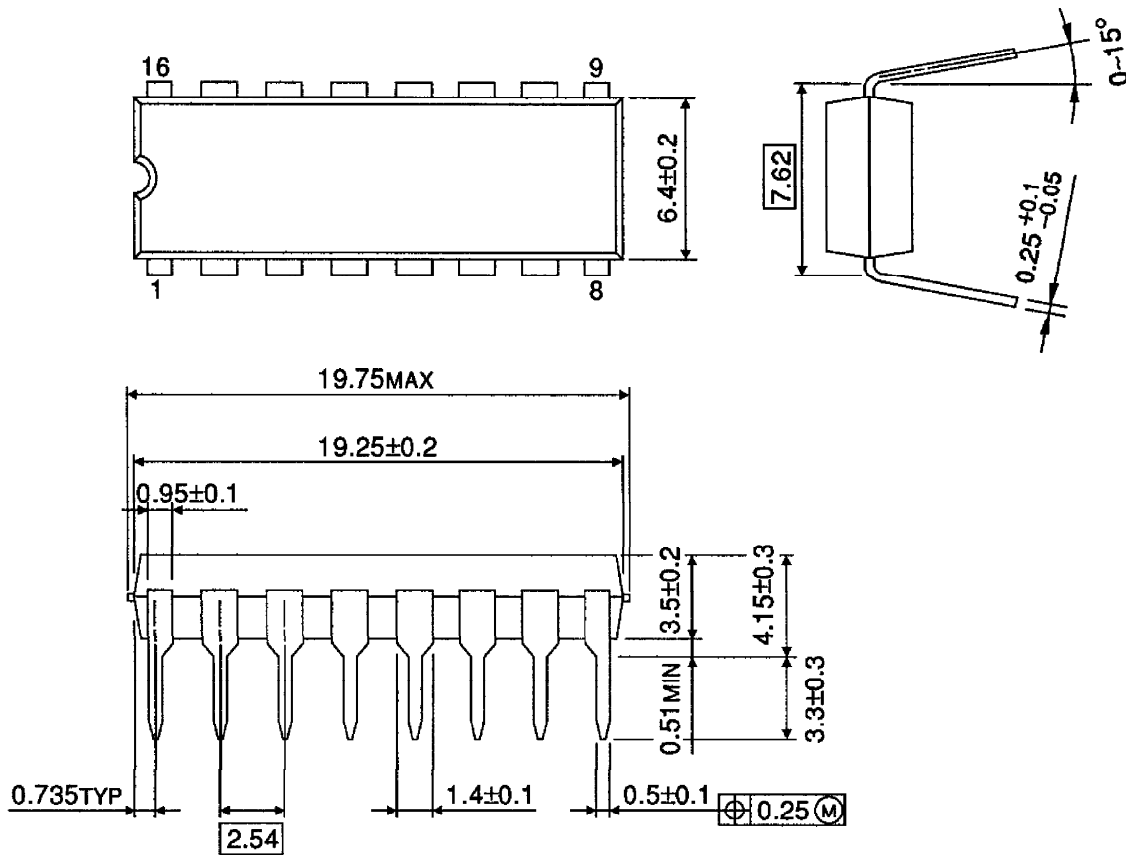
- (Note 1) Pulse Width  $50\mu\text{s}$ , Duty Cycle 10%  
Output Impedance  $50\Omega$ ,  $t_r \leq 5\text{ns}$ ,  $t_f \leq 10\text{ns}$   
(Note 2)  $C_L$  includes probe and jig capacitance





OUTLINE DRAWING  
DIP16-P-300A

Unit : mm



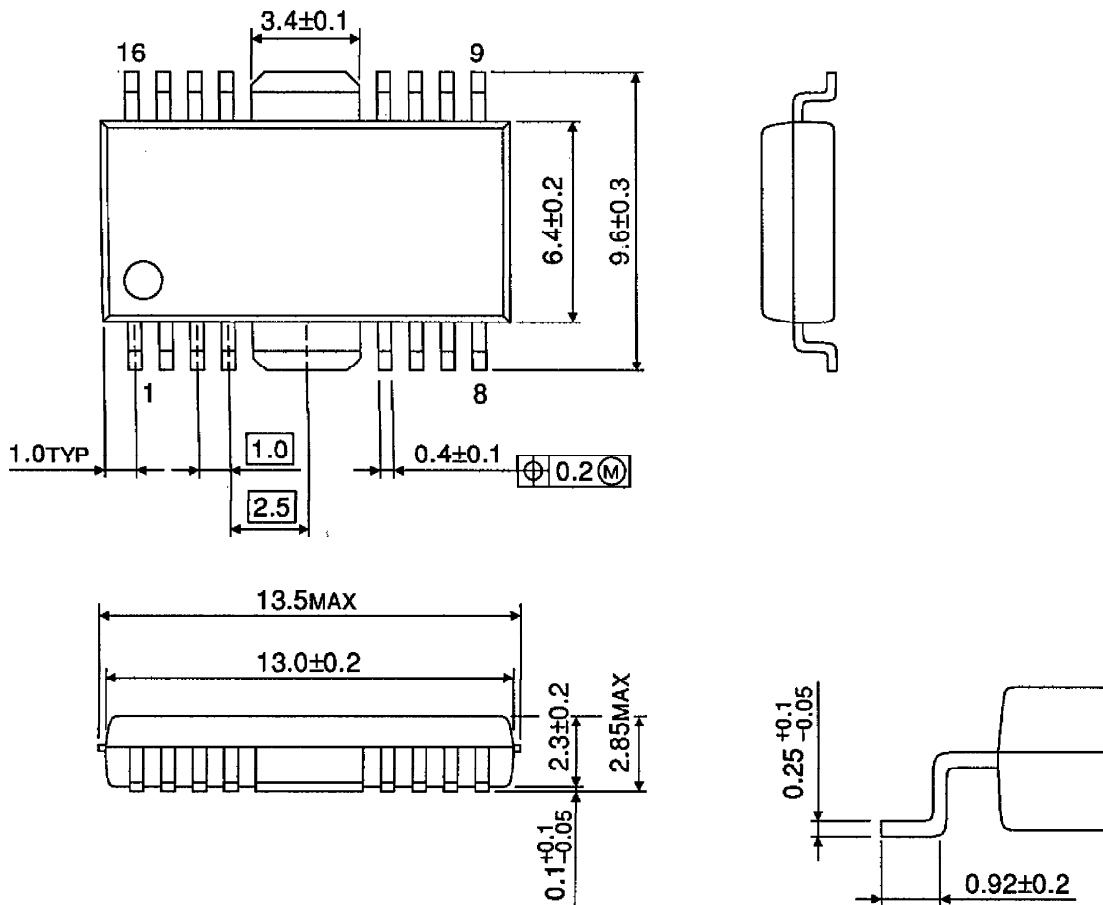
Weight : 1.11g (Typ.)

TD62064P - 8
1995 - 5 - 29
<b>TOSHIBA CORPORATION</b>



OUTLINE DRAWING  
HSOP16-P-300

Unit : mm



Weight : 0.50g (Typ.)