

MRS-101 ON-OFF

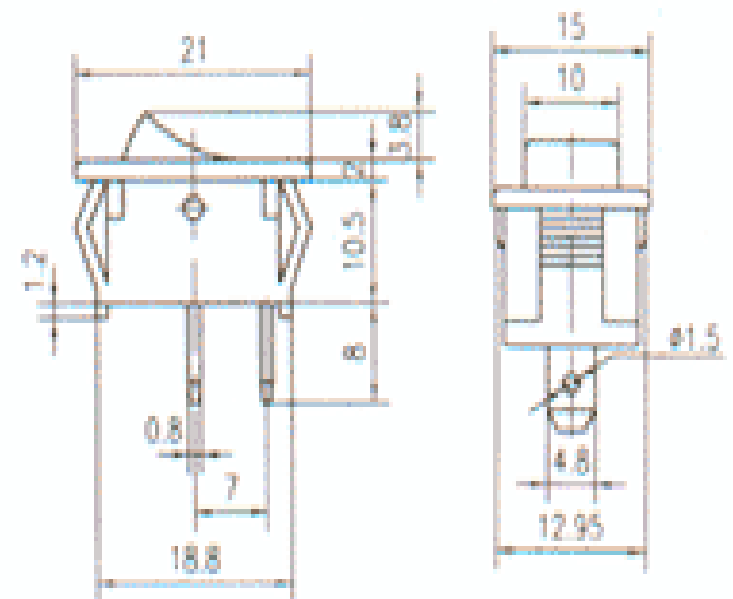
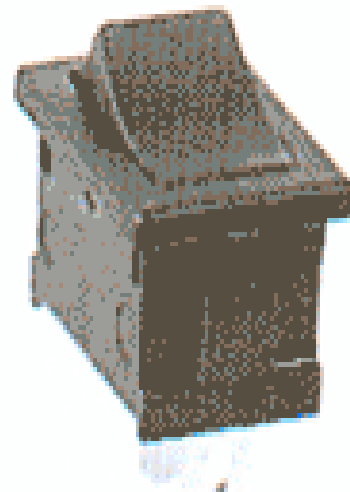
MRS-111 (ON)-OFF

AC 125V 6A; AC 250V 3A; SPST 2P

MRS-101A ON-OFF

MRS-111A (ON)-OFF

AC 125V 10A; AC 250V 6A; SPST 2P



Ordering information

MRS-102 A-2C7



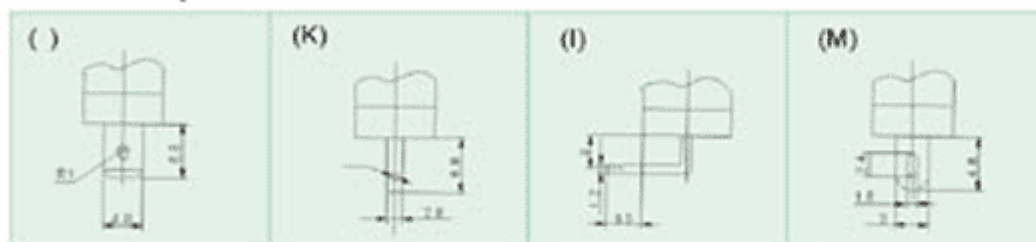
Cap color

Black
White
Red
Yellow
Green
Blue
Orange

Base color

White
Black
Gray
Yellow

Terminal options



Cap marking

