



# 100 series

## D-SUB SOLDER TYPE

Position	A	B	C	D	E
9	16.92	24.99	30.81	19.36	16.33
15	25.25	33.32	39.14	27.64	24.66
25	38.96	47.04	53.04	41.08	38.38
37	55.42	63.50	69.32	57.38	54.84
50	54.24	61.11	67.10	55.16	52.46

### Specifications:

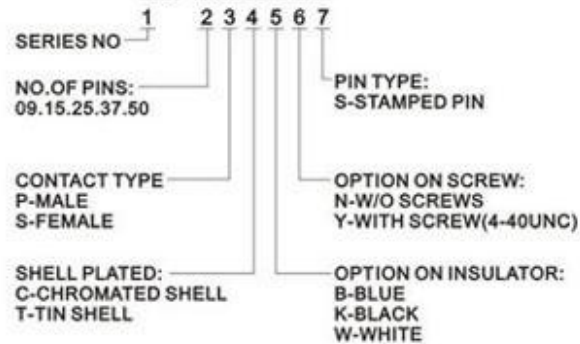
Contact Resistance: 30m Ω max.at DC 100 mA  
 Insulator Resistance: 1000M Ω min.at DC 500V  
 Current Rating: 5AMP

### Dielectric Withstanding

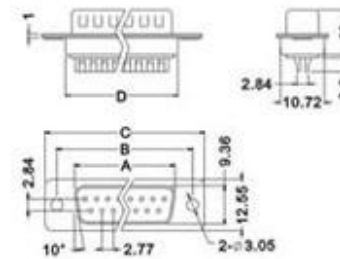
Voltage: AC 1000V For 1 minute  
 Operating Temperature: -55° C--+105° C  
 Contact: Brass or Phosphor Bronze  
 Housing: PBT &30% Glass Fiber(UL 94V-0)

### How To Order

100-09 P C B N S



### [ MALE ]



### [ FEMALE ]

