

REV.	DESCRIPTION	DRAWN	CHECKED	APPROVED
A	NEW RELEASE	LJH 03/30/06'	~	LJC 09/20/05'
B	整理图面	YCH 07/27/07'	~	

NOTES:

- MATERIAL
 - INSULATOR:THERMOPLASTIC(UL 94V-0).
 - CONTACT: COPPER ALLOY.
 - CONTACT PLATED: SEE ORDERING INFORMATION.
- SPECIFICATION
 - STORAGE TEMPERATURE: -20-70°C.
 - OPERATING TEMPERATURE: 0-85°C.
 - CONTACT RESISTANCE: 20mΩ max.
 - INSULATION RESISTANCE: 1000MΩ min.
 - DIELECTRIC WITHSTANDING VOLTAGE: AC 500V PER MINUTE.

- PART NUMBER: DS1010
- PRODUCT NUMBER CODE:

DS1010 - X X X X

- X: Central support
- S: W/ central support
- X: W/O central support
- Width dim.D
- N: 10.16mm
- W: 15.24mm
- D: 19.05mm
- Contact plating
- T1: Tin
- No.OF CONTACTS
- 24 28 30 32 40
- 42 48 52 54 64
- Series No.
- DS1010

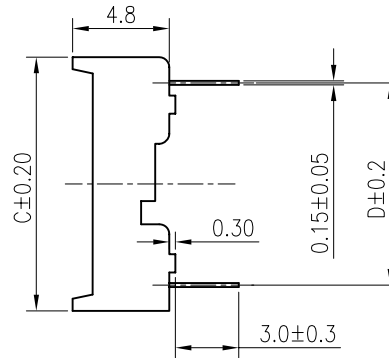
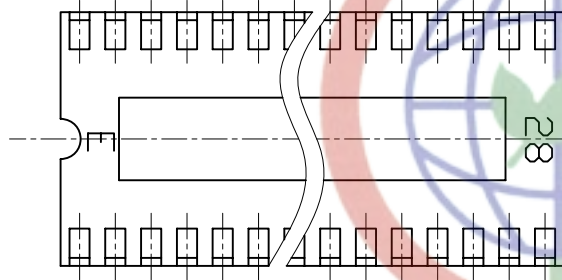
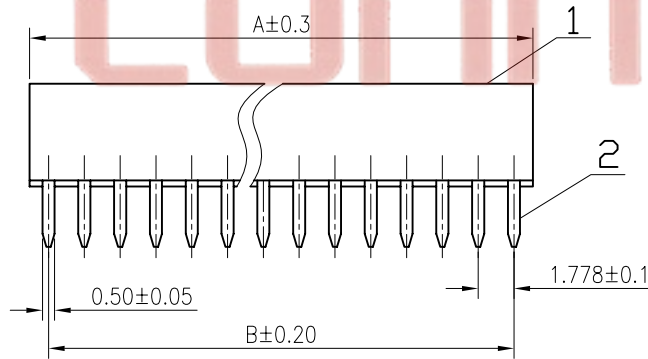


Table A:

Position	Dimension			
	A	B	C	D
24	21.34	19.56	12.65	10.16
28	24.89	23.11	12.65	10.16
30	26.67	24.89	12.65	10.16
32	27.45	26.67	12.65	10.16
40	35.56	33.78	17.73	15.24
42	37.34	35.56	17.73	15.24
48	42.67	40.89	17.73	15.24
52	46.23	44.45	17.73	15.24
56	49.78	48.01	17.73	15.24
64	56.90	55.12	21.54	19.05



GENERAL TOLERANCE		ANGLE TOLERANCE	
X.	±0.60	X.	±5°
.X	±0.38	.X	±3°
.XX	±0.25	.XX	±2°

PROJECTION	TITLE
UNITS	mm
SHEET SIZE	A4
IC SOCKET PITCH 1.778mm(0.070)	
SERIES DS1010 SERIES	

ITEM	PART NAME	PART NO.	MATERILAS	FINISHED	DRAWING NO.	CUSTOMER
2	CONTACT		COPPER ALLOY	GOLD PLATED	DRAWING TYPE	CUSTOMER
1	HOUSING		THERMOPLASTIC	UL 94 V-0	SCALE	1:1 SHEET 1 OF 1

晨翔电子有限公司
CONNFLY CONNFLY ELECTRONIC CO. LTD