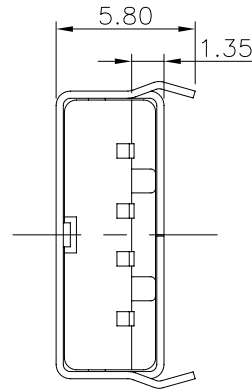
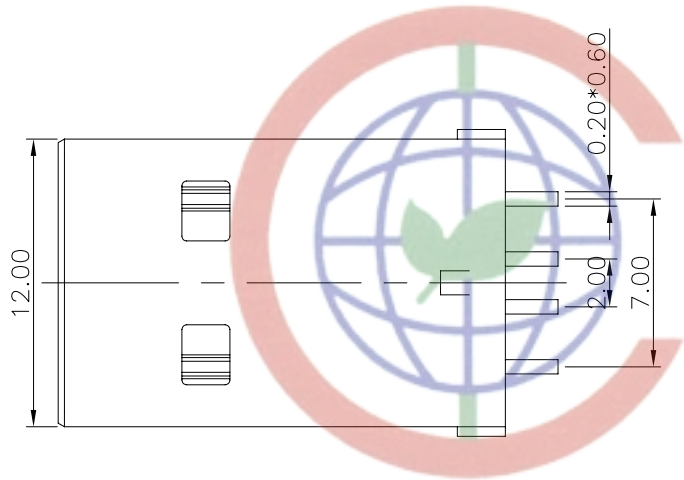


REV.	DESCRIPTION	DRAWN	CHECKED	APPROVED
A	NEW RELEASE	LJH 05/09/05'		



NOTES:

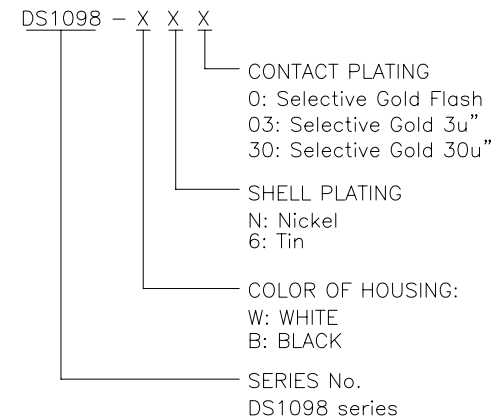
1. SPECIFICATIONS:

- 1.0 CONTACT RESISTANCE:30mΩ max.
- 1.1 INSULATION RESISTANCE:1000MΩ min.
- 1.2 CURRENT RATING:1.5A.
- 1.3 VOLTAGE RATING:30VDC.
- 1.4 DIELECTRIC WITHSTANDING VOLTAGE:AC 500V FOR 1 Minute.

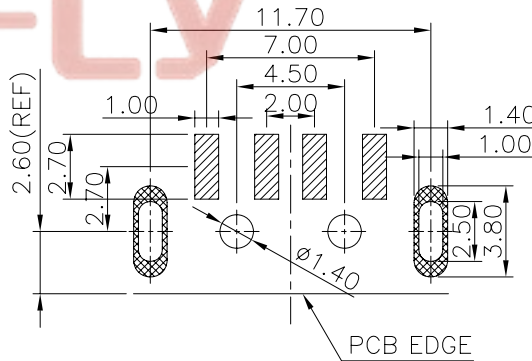
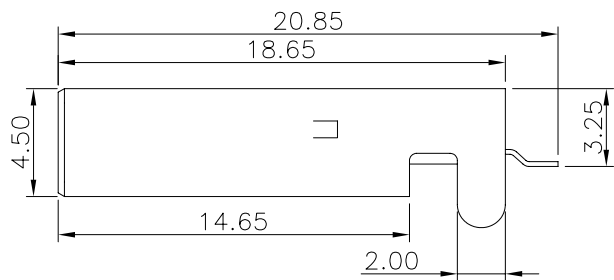
2. MATERIALS:

- 2.0 HOUSING: THERMOPLASTIC (UL 94 V-0).
- 2.1 CONTACT:COPPER ALLOY
- 2.2 SHELL:STEEL

3. PRODUCT NUMBER CODE:



CONNFLY



RECOMMEND PCB LAYOUT(TOLERANCE±0.05)

Tel: 86-574-63508787

Fax: 86-574-63510817

GENERAL TOLERANCE		ANGLE TOLERANCE		PROJECTION		TITLE	USB A TYPE MALE, SMT R/A TYPE
X.	±0.60	X.	±5°	UNITS	mm	SHEET SIZE	A4
.X	±0.38	.X	±3°	SHEET SIZE	A4	SERIES	DS1098
.XX	±0.25	.XX	±2°				
DRAWING TYPE	CUSTOMER						
SCALE	1:1	SHEET	1 OF 1				
DRAWING NO.	C-DS1098-XXX						

晨翔电子有限公司
CONNFLY CONNFLY ELECTRONIC CO. LTD