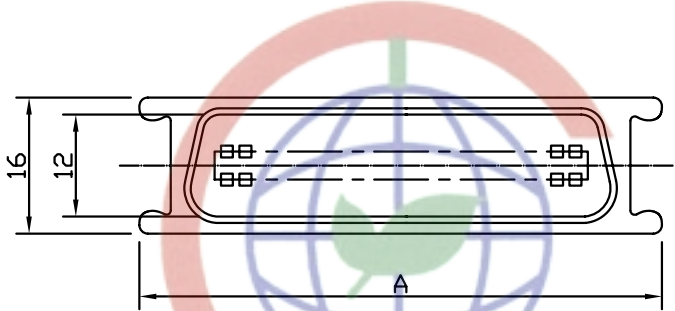


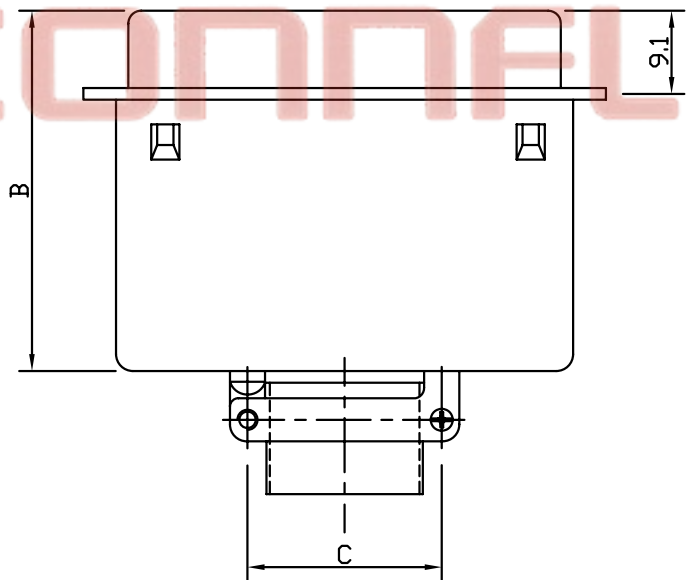
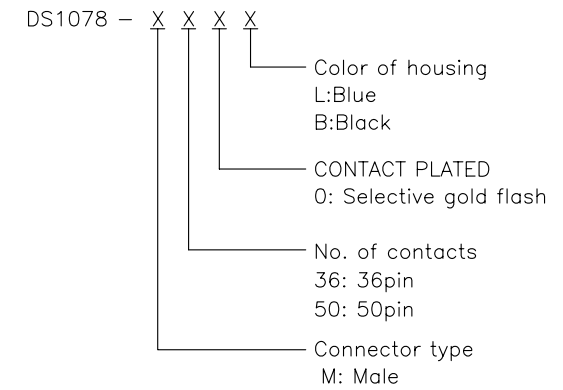
REV.	DESCRIPTION	DRAWN	CHECKED	APPROVED
A	NEW RELEASE	HP 17/06/05	~	LJC 17/06/05
B	更改尺寸	YCH 06/27/07	~	



NOTES:

- MATERIALS
 - Insulator: PBT+30% Glass Fiber(UL 94V-0)
 - Contact: Copper alloy
 - Shell: Steel
 - Hood: Steel
 - Washer: Steel
- SPECIFICATION
 - Current Rating: 3A
 - Dielectric withstanding voltage: 500V For 1 minute
 - Insulator Resistance: 1000MQ min
 - Temperature Range: -20°C ~ +105°C


3. PRODUCT NUMBER CODE:



Shell Size	A	B	C
36pin	61.5	30.2	22.6
50pin	76.7	33.0	27.4

Ⓟ Ⓟ

Tel: 86-574-63508787
Fax: 86-574-63510817

GENERAL TOLERANCE		ANGLE TOLERANCE		PROJECTION	⊕	TITLE	CENTRONIC CONNECTORS SOLDER			
X.	±0.60	X.	±5°	UNITS	mm					
.X	±0.38	.X	±3°	SHEET SIZE	A4	SERIES	DS1078			
.XX	±0.25	.XX	±2°			 晨翔电子有限公司 CONNFLY CONNFLY ELECTRONIC CO. LTD				
DRAWING TYPE		CUSTOMER								
SCALE	1:1	SHEET	1 OF 1							
DRAWING NO.		C-DS1078-XXXX								

P.C.:315321