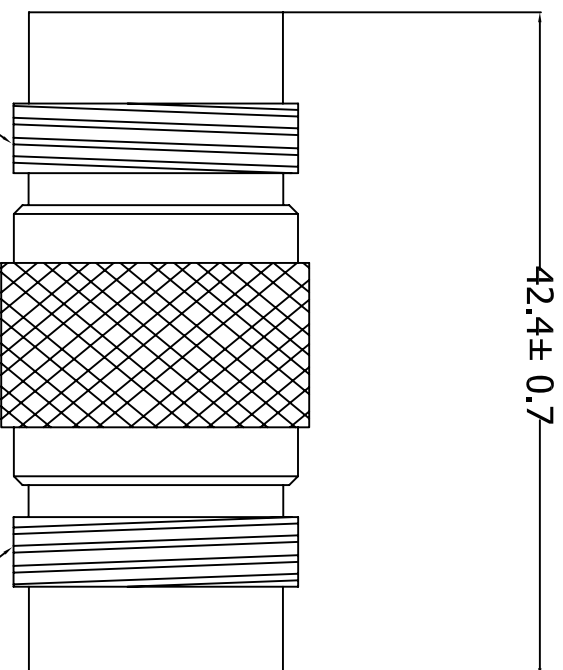
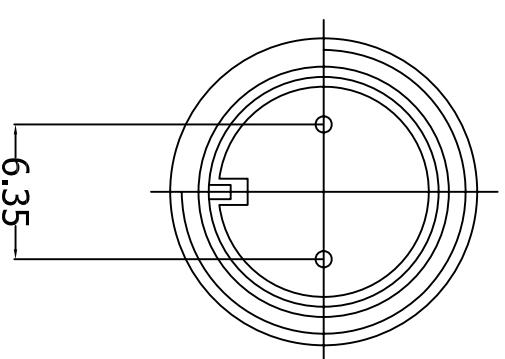


3/4-20UNEF



3/4-20UNEF



| | | | | | | | | | |
|-------------|--------|----------------------|-------------|---|------------|-----------|-----------|-----|-----|
| P/NO.: | | NCTW-0502 | | NEW CENTRESS INTERNATIONAL CO., LTD. | | | | | |
| CUSTOMER: | | CHIP & DIP | | | | | | | |
| CUST. P/N.: | | GTW-502 | | | | | | | |
| APP. | Eric | UNITS | m/m | | | | | | |
| CHK. | Carmen | DATE | 2008/12/24 | | | | | | |
| VER. NO. | 1.0 | NEW DRAWING | DESCRIPTION | DATE | 2008/12/24 | DRAW NO.: | NCTW-0502 | VER | 1.0 |
| | | | | DRAW. | Christna | SHEET | 1/1 | | |
| DES: | | TWINAX DOUBLE FEMALE | | | | | | | |