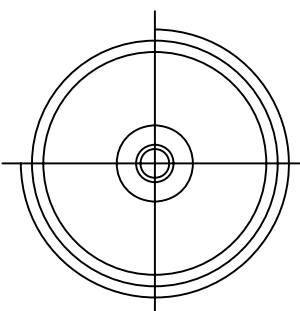
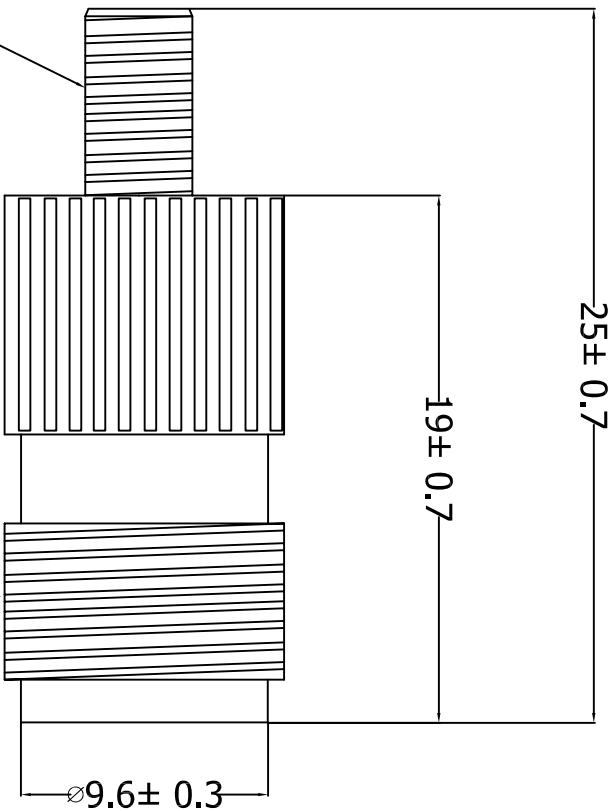


M5X0.8P



7/16-28UNEF

P/NO.: NCT-0249

CUSTOMER: CHIP & DIP

CUST. P/N.: GT-249

APP. Eric UNITS m/m

CHK. Carmen DATE 2008/12/24

DRAW. Christina SHEET 1/1

NEW CENTRESS
INTERNATIONAL CO., LTD.

DES.: TNC FEMALE / NEC MALE

DRAW NO.: NCT-0249

VER 1.0

1.0	NEW DRAWING	2008/12/24
VER.NO.	DESCRIPTION	DATE