

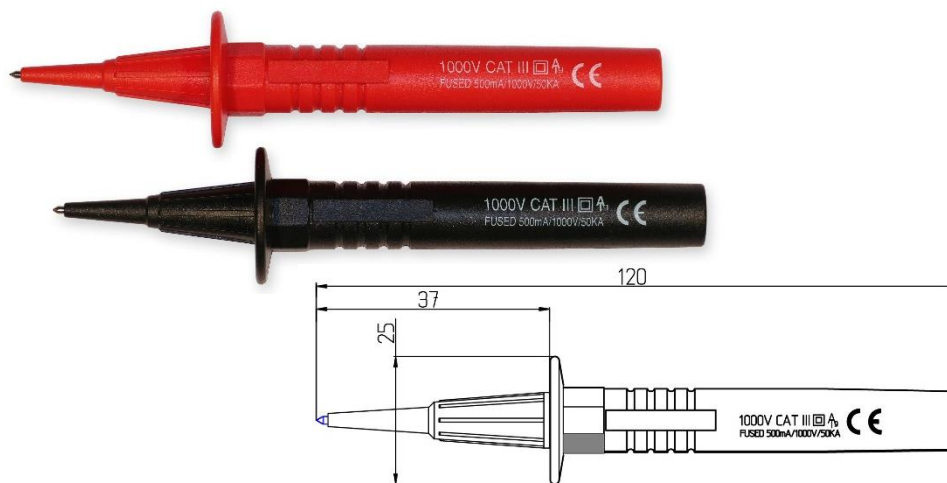


ENGLISH

Datasheet

RS PRO Fused Test Probes

Stock No: 125-3737



Product Details

These RS PRO fused probes are necessary to provide a safe means of voltage measurement on high energy circuits. Meeting the requirements of GS38 safety guidance and IEC1010 CAT III 1000V safety standard and accept all standard 4mm shrouded and un-shrouded. Each probe is fitted with a 500mA/1000V/50kA fast acting high capacity fuse.

Replacement Part No 161-1530

RS Accessories Include:-

125-3738 Screw In 1000V Crocodile Clips, 262-7770 Screw In Thin Spikes, 262-7786 Lantern Fronts

Specification

Voltage:	1000 Volts AC & DC
Current Rating:	500 mA
Safety Category:	CAT III
Minimum Operating Temperature:	-20°C
Maximum Operating Temperature:	+70°C