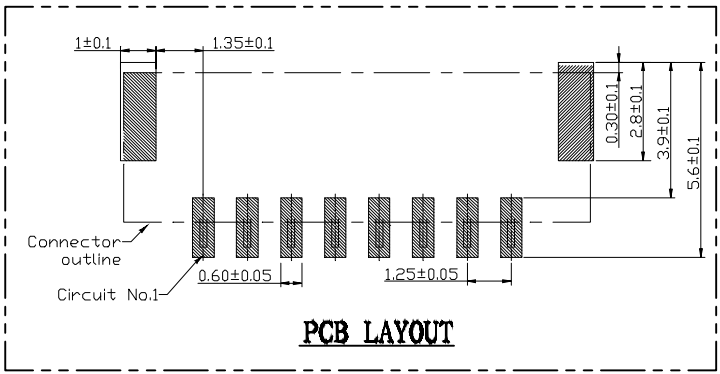
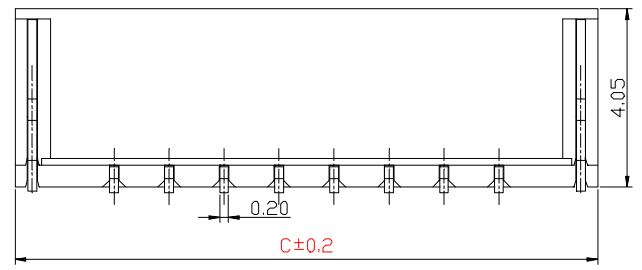
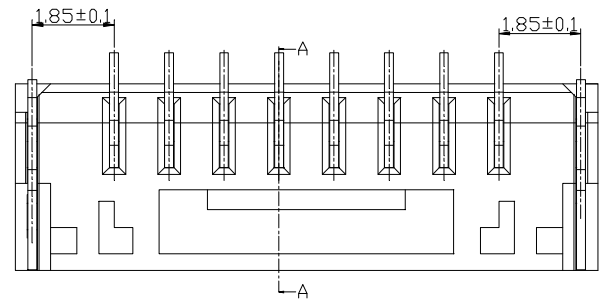


- SPECIFICATIONS**
- 1、Current Rating: 1A AC, DC
  - 2、Voltage Rating: 50V AC, DC
  - 3、Temperatuer Range: -25℃~+85℃
  - 4、Contact Resistance: 20mΩ Max
  - 5、Insulation Resistance: 100MΩ Min
  - 6、Withstanding Voltang: 500V AC/minute
  - 7、Material:Wafer LCP/NylonUL94V-0  
PIN Phosphoric bronze Tin-plated  
Solder tad Phosphoric bronze Tin-plated



| Circuit | Part No.    | Dimensions mm |       |       |
|---------|-------------|---------------|-------|-------|
|         |             | A             | B     | C     |
| 2       | HC-GH-2PLT  | 1.25          | 3.85  | 5.75  |
| 3       | HC-GH-3PLT  | 2.50          | 5.10  | 7.00  |
| 4       | HC-GH-4PLT  | 3.75          | 6.35  | 8.25  |
| 5       | HC-GH-5PLT  | 5.00          | 7.60  | 9.50  |
| 6       | HC-GH-6PLT  | 6.25          | 8.85  | 10.75 |
| 7       | HC-GH-7PLT  | 7.50          | 10.10 | 12.00 |
| 8       | HC-GH-8PLT  | 8.75          | 11.35 | 13.25 |
| 9       | HC-GH-9PLT  | 10.00         | 12.60 | 14.50 |
| 10      | HC-GH-10PLT | 11.25         | 13.85 | 15.75 |
| 11      | HC-GH-11PLT | 12.50         | 15.10 | 17.00 |
| 12      | HC-GH-12PLT | 13.75         | 16.35 | 18.25 |
| 13      | HC-GH-13PLT | 15.00         | 17.60 | 19.50 |
| 14      | HC-GH-14PLT | 16.25         | 18.85 | 20.75 |
| 15      | HC-GH-15PLT | 17.50         | 20.10 | 22.00 |
| 16      | HC-GH-16PLT | 18.75         | 21.35 | 23.25 |



| GENERAL TOLERANCE |                | 制 图        |
|-------------------|----------------|------------|
| DIM               | TOL            | DRAWING    |
| X.X               | ±0.30          | 审 核        |
| X.XX              | ±0.20          | CHECK      |
| X.XXX             | ±0.10          | 批 准        |
| Angle             | ±3.0°          | APPROVAL   |
| 1                 | 初版发行           | 比 例        |
| 序号                | 变更内容           | SCALE      |
| No.               | MODIFY CONTENT | PROJECTION |
|                   | 日期             | 材 料        |
|                   | MODIFY DATE    | MATERIAL   |

深圳市华灿天禄电子有限公司  
ShenzhenhuaciantianluELECTRONICS CO.,LTD

|                  |            |             |     |
|------------------|------------|-------------|-----|
| 产品名称<br>TITLE    | GH 立贴      | 版本<br>REV.  | A   |
| 产品料号<br>PART NO. | HC-GH-NPLT | 单位<br>UNITS | mm  |
| 材 料<br>MATERIAL  |            | 页次<br>SHEET | 1/1 |