

DO NOT SCALE FROM THIS PRINT

HDTF-4-XX-X-RA-XX-XXX

PAIRS PER COLUMN -4
 No. OF COLUMNS -04, -06, -08
 PLATING -S: 30µ" SELECTIVE GOLD IN CONTACT AREA, MATTE TIN ON TAIL
 IMPEDANCE -100: 100 Ω, -085: 85 Ω
 WAFERS -LC: STANDARD, -HS: HIGH SPEED
 ORIENTATION -RA: RIGHT ANGLE

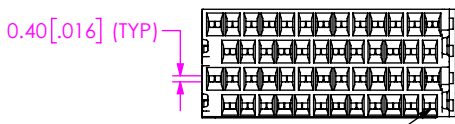
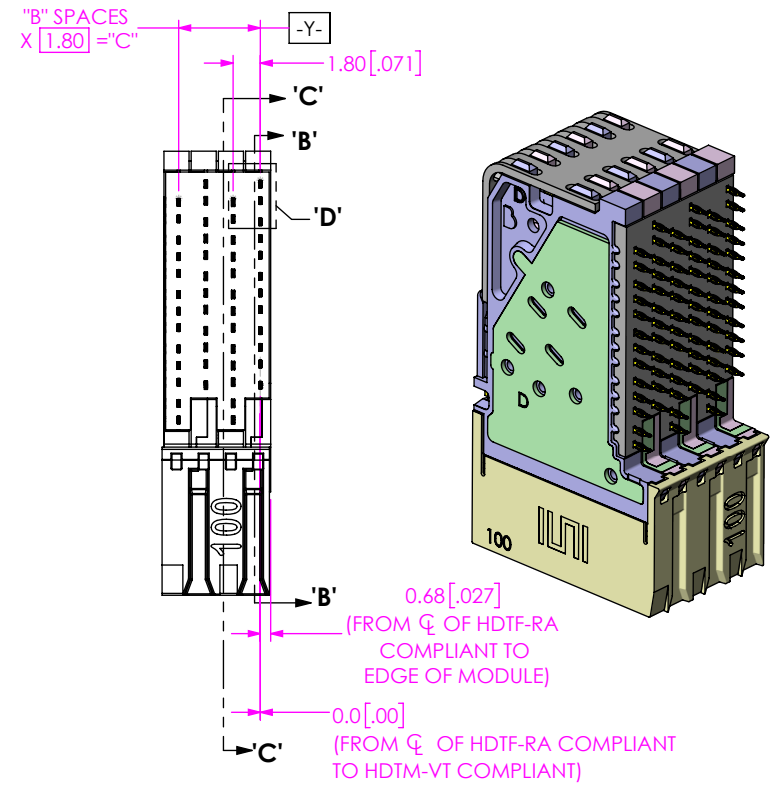
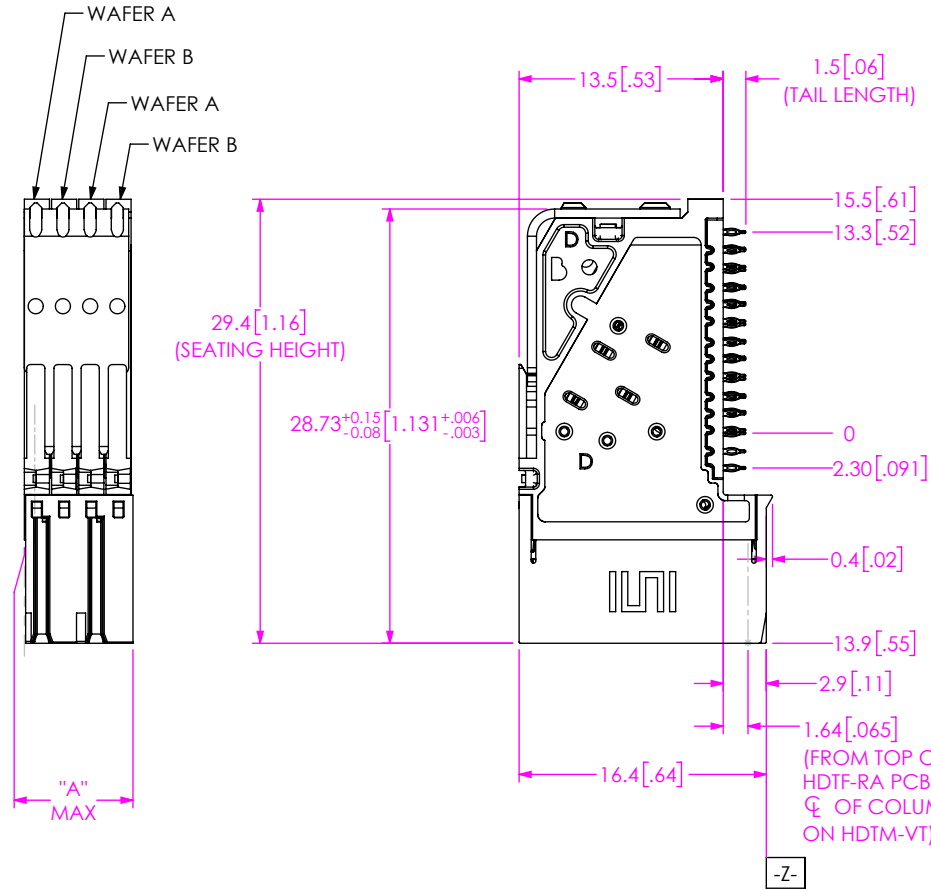


FIG 1 (HDTF-4-04-X-RA-XX-XXX SHOWN)

No. OF COLUMNS	"A"	"B"	"C"
-04	7.2 [0.28]	3	5.40 [0.213]
-06	10.8 [0.42]	5	9.00 [0.354]
-08	14.4 [0.57]	7	12.60 [0.496]

UNLESS OTHERWISE SPECIFIED, DIMENSIONS ARE IN MILLIMETERS. TOLERANCES ARE:
 DECIMALS ANGLES
 X.X: ±0.25 1°
 X.XX: ±0.13
 X.XXX: ±

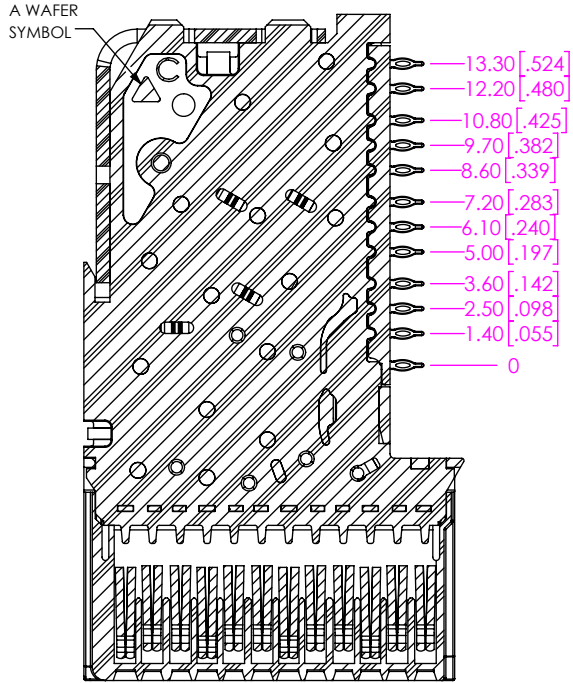
PROPRIETARY NOTE
 THIS DOCUMENT CONTAINS CONFIDENTIAL AND PROPRIETARY INFORMATION AND ALL DESIGN, MANUFACTURING, REPRODUCTION, USE, PATENT RIGHTS AND SALES RIGHTS ARE EXPRESSLY RESERVED BY SAMTEC, INC. THIS DOCUMENT SHALL NOT BE DISCLOSED, IN WHOLE OR PART, TO ANY UNAUTHORIZED PERSON OR ENTITY NOR REPRODUCED, TRANSFERRED OR INCORPORATED IN ANY OTHER PROJECT IN ANY MANNER WITHOUT THE EXPRESS WRITTEN CONSENT OF SAMTEC, INC.

samtec
 520 PARK EAST BLVD, NEW ALBANY, IN 47150
 PHONE: 812-944-6733 FAX: 812-948-5047
 e-Mail info@SAMTEC.com code 55322

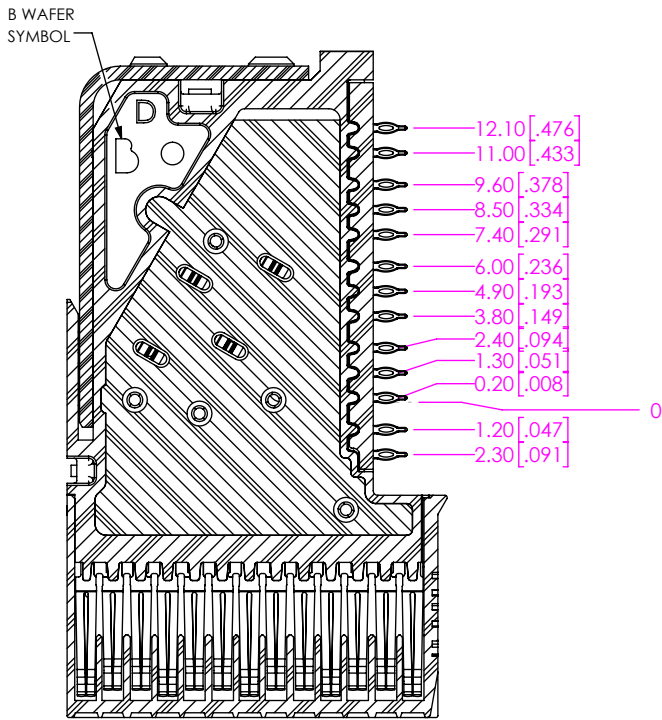
NOTES:
 1. CONTACT SAMTEC FOR CONNECTOR PRESS FIT INSTRUCTIONS AND FIXTURES.
 2. TRAYS TO BE STANDARD PACKAGING.

MATERIAL: DO NOT SCALE DRAWING SHEET SCALE: 2:1
 INSULATOR: LCP
 CONTACT: CU ALLOY

DESCRIPTION: XCode? 4 PAIR HD RA ASSEMBLY
 HDTF-4-XX-X-RA-XX-XXX
 BY: J RUZZI 8/5/2016 SHEET 1 OF 2



SECTION 'B'-'B'
SCALE 3 : 1
(WAFER A)
(HS OR LC OPTIONS)



SECTION 'C'-'C'
SCALE 3 : 1
(WAFER B)
(HS OR LC OPTIONS)

• PROPRIETARY NOTE •
THIS DOCUMENT CONTAINS CONFIDENTIAL AND PROPRIETARY INFORMATION AND ALL DESIGN, MANUFACTURING, REPRODUCTION, USE, PATENT RIGHTS AND SALES RIGHTS ARE EXPRESSLY RESERVED BY SAMTEC, INC. THIS DOCUMENT SHALL NOT BE DISCLOSED, IN WHOLE OR PART, TO ANY UNAUTHORIZED PERSON OR ENTITY NOR REPRODUCED, TRANSFERRED OR INCORPORATED IN ANY OTHER PROJECT IN ANY MANNER WITHOUT THE EXPRESS WRITTEN CONSENT OF SAMTEC, INC.

samtec
520 PARK EAST BLVD, NEW ALBANY, IN 47150
PHONE: 812-944-6733 FAX: 812-948-5047
e-Mail info@SAMTEC.com code 55322

DO NOT SCALE DRAWING

SHEET SCALE: 2:1

DESCRIPTION:
XCede? 4 PAIR HD RA ASSEMBLY

DWG. NO.
HDTF-4-XX-X-RA-XX-XXX

BY: J RUZZI 8/5/2016 SHEET 2 OF 2